

**Weather Proof Call Point (Outdoor version)**

The IP67 weatherproof call point is suitable for use outside. There are drill positions marked on the top and bottom of the IP67 back box for cable glands. –max. dia. 20mm.

**Mechanical Details**

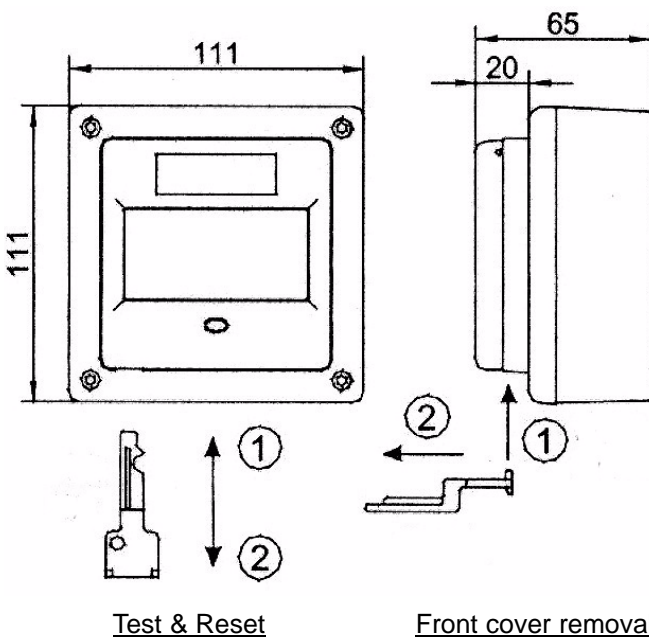
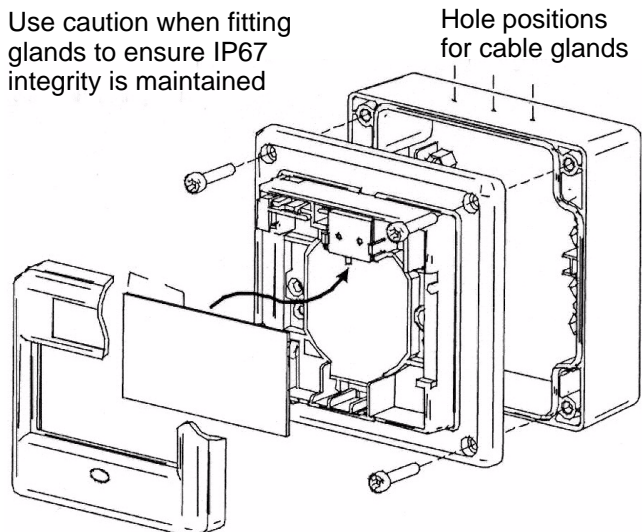
IP–Rating (as per EN 60529): IP67  
 Temperature range: –25°C to +65°C  
 Housing material: ABS Plastic

**Electrical Details**

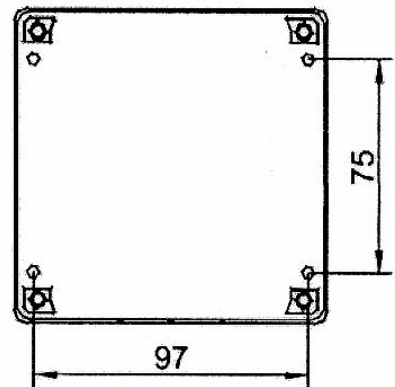
Terminals: In&Out, for cables 0.28 – 2.5mm<sup>2</sup>  
 Operating voltage: 19V DC to 30V DC  
 Current consumption: depending to the fire detection system

**Installation**

Use caution when fitting glands to ensure IP67 integrity is maintained



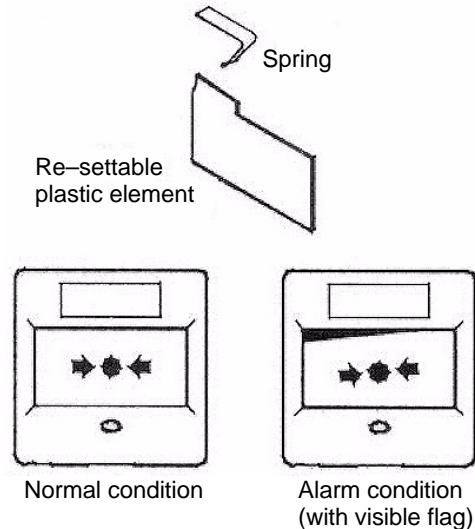
**Fixing Details**



**Accessories**

Re–settable plastic element

The re–settable plastic element and spring replaces the glass element. When the re–settable element is pushed, a visible flag will appear indicating the call point has been activated.



Clear hinged flap & breakable seal

The clear hinged flap gives extra protection from accidental operation. With the breakable seal fitted, the clear hinged flap can not be lifted without breaking the seal.

