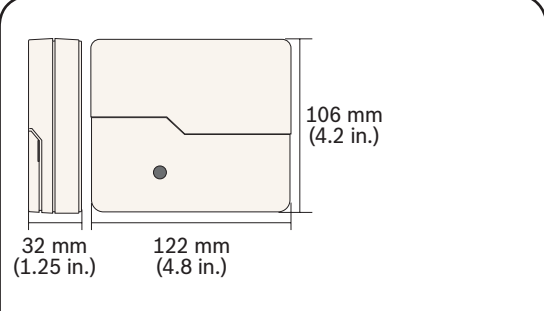
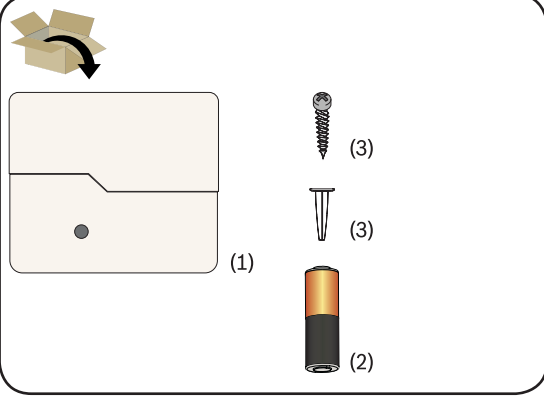


**ISW-BGB1-SAX (868 MHz)**  
**ISW-BGB1-SAY (915 MHz)**



**wLSN Glass Break Detector  
 Installation Instructions**



-10°C - +55°C (+14°F - +131°F)



868 MHz (ISW-BGB1-SAX)  
 915 MHz (ISW-BGB1-SAY)



< 95%

**ISW-BGB1-SAX (868 MHz):**



EN50131-1 Grade 2  
 Environmental Class II

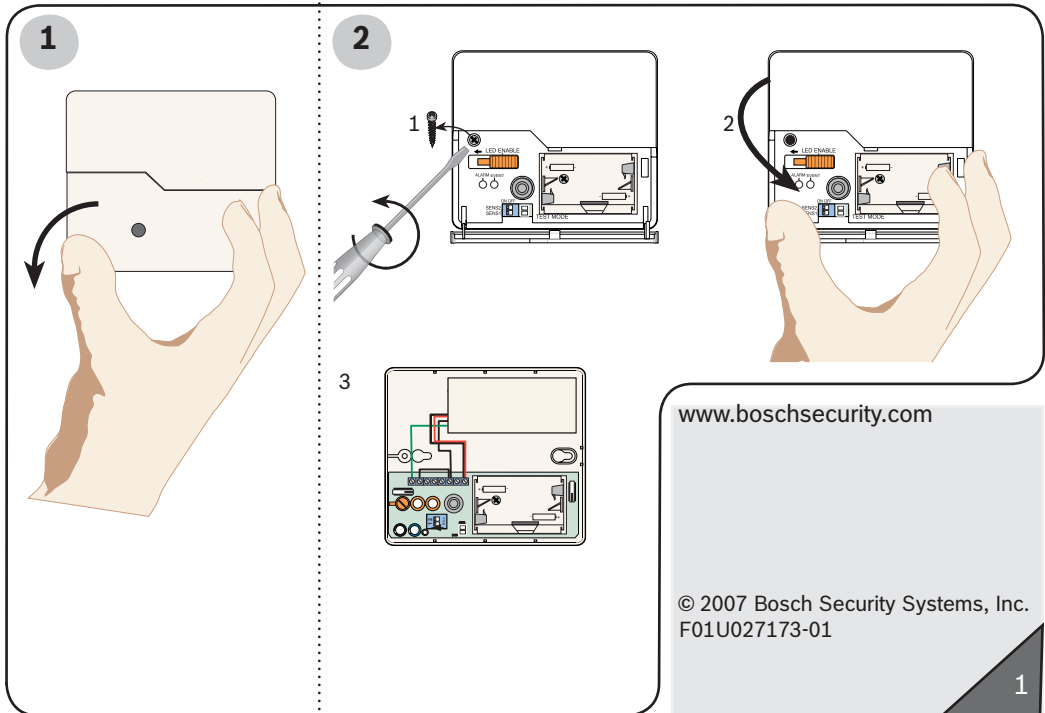
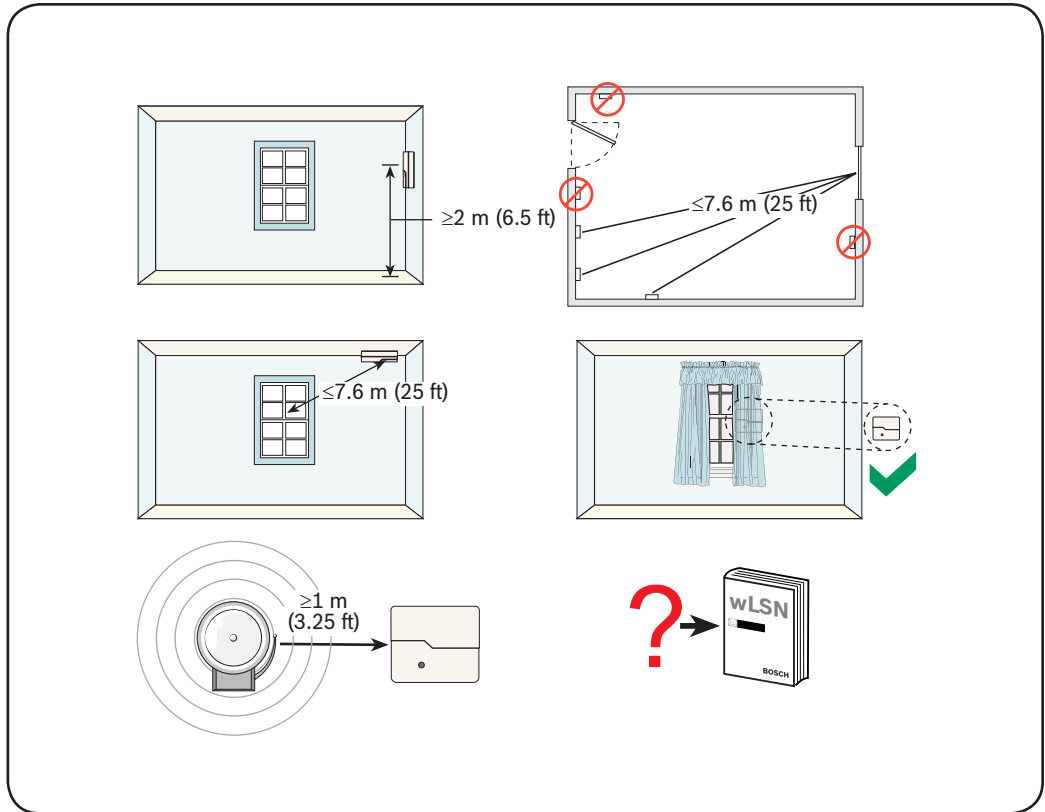
**ISW-BGB1-SAY (915 MHz):**

FCC, Part 15

IC: Industry Canada RSS-210

UL639: Intrusion Detection Units

ULC-S306-03: Intrusion Detection Units

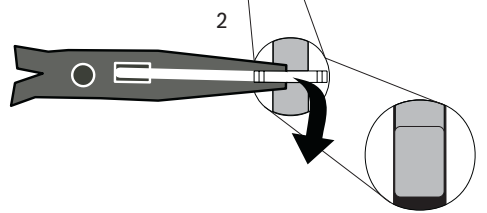
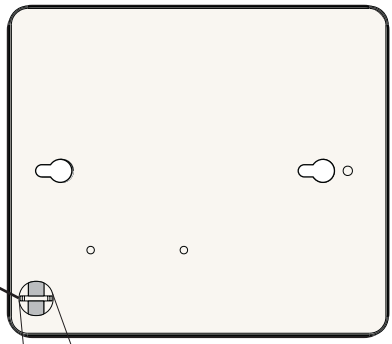
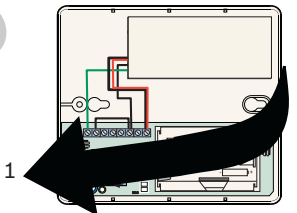


[www.boschsecurity.com](http://www.boschsecurity.com)

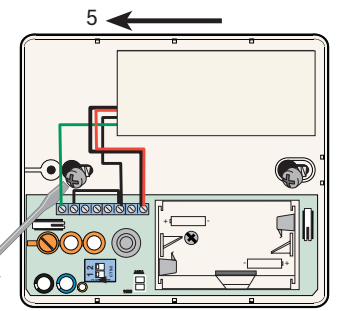
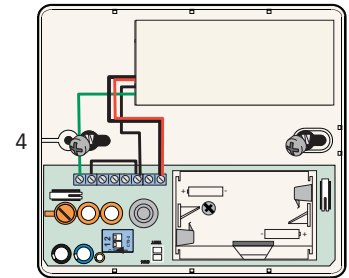
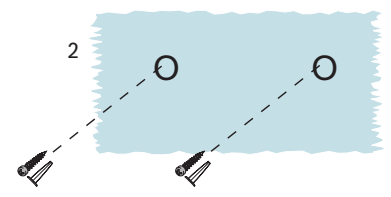
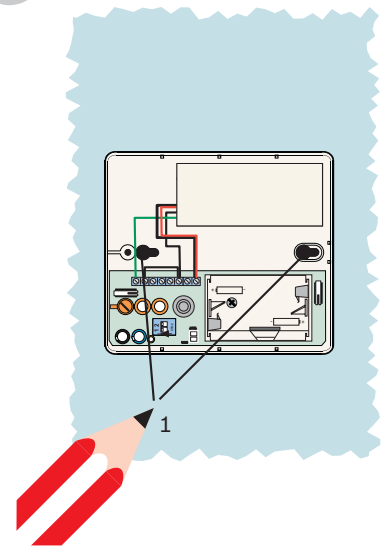
© 2007 Bosch Security Systems, Inc.  
 F01U027173-01



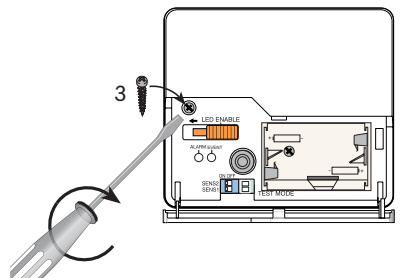
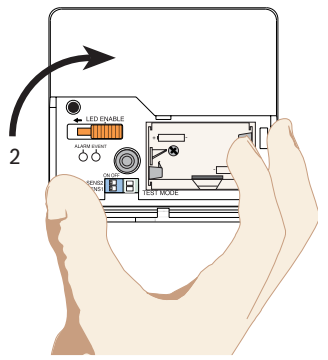
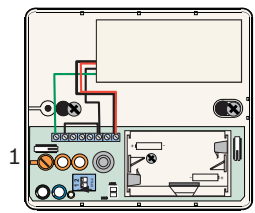
3



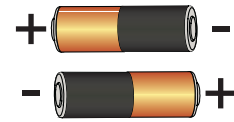
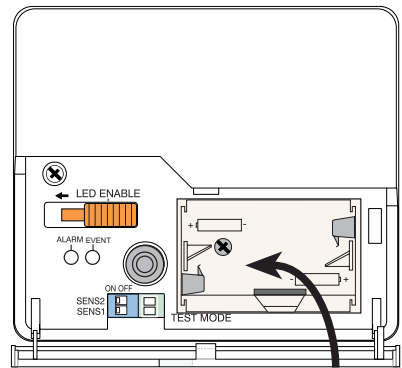
4



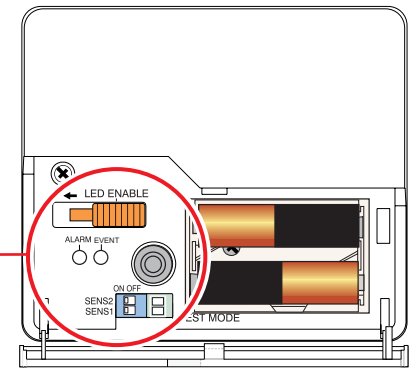
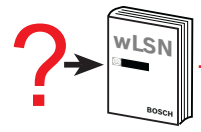
5



6



7



© 2007 Bosch Security Systems, Inc.  
F01U027173-01

