

ISP-MCOLS3-U110S LSN bolt contact w magnet, window, VdS-C



- ▶ LSN magnetic and bolt contact for combined opening and closure monitoring of windows
- ▶ Tamper surveillance
- ▶ Head-on flush mounting
- ▶ For connecting to a LSN intrusion control panel
- ▶ VdS class C/EN 50131-2-6 Grade 3

The LSN magnetic and bolt contact is used for combined opening and closure monitoring of windows that lock via a locking latch. The contact is equipped with tamper surveillance. If an external magnet is in close proximity, the tamper switch is activated, which generates a message. Head-on flush mounting.

Regulatory information

Region	Regulatory compliance/quality marks	
Europe	CE	[ISP-MCLS3-U110S, ISP-MCOLS3-U110S, ISP-RSC2-110S, ISP-RSC3-S110]
	EN50131	G113046 [ISP-MCOLS3-U110S]
Russia	GOST	TC N RU Д-НЛ.МН09.В.00334 EAC
Germany	VdS	G113046 [G113046]
	VdS	G113514 [ISP-MCLS3-U110S]

Installation/configuration notes

Monitoring variants in accordance with VdS

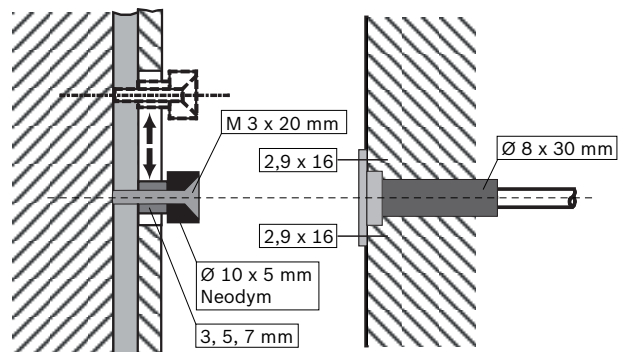
- Combined opening and closure monitoring, class C
- Closure monitoring, class C
- Opening monitoring, class C

Installation information

- The contact is installed head-on.
- Neither the contact nor the magnets may be installed in ferromagnetic materials.

- The contacts are generally installed in the door or window frames with the magnet in the window or in the door.
- The magnetic and bolt contact can only switch or report to the intrusion alarm system panel that the window is locked when the mechanical lock is 50% engaged.

Installation layout



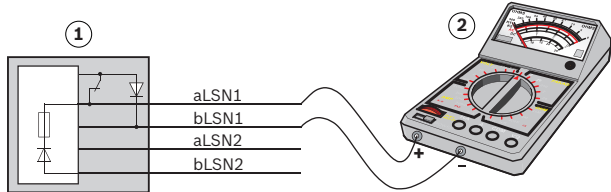
Connection of LSN contacts

- Each LSN contact is a physical LSN element (1 out of 127 possible per loop).
- The length of LSN contact connection cables must be included when planning the total line length of the LSN loop, as the LSN technology is integrated in these contacts.
- Passive elements for connecting the connection cables to the installation cable must be positioned as close as possible to the LSN contacts, as a 1-m connection cable with 2-m LSN cable length is included in the calculation of the LSN cable length (LSN is fed into the contacts and back out again).

- Connector boxes (optional) are classified as installation material.

Testing LSN contacts

- Reed switch and microswitch functions can be checked before installation using a high-Ohm multimeter or continuity checker (for diode paths).
- The resistance values are approximate values; a large change in resistance is significant.



1	Contact us
2	High-ohm multimeter - Contact open: approx. 3 MOhm - Contact closed: approx. 1 MOhm

Only the intrusion contact can be checked in this way. The tamper switch can be checked in conjunction with the LSN control panel or with the LSN testing device (software version 3.x onward).

Parts included

Quantity	Component
1	Built-in magnetic contact with 4-m connection cable incl. installation flange, magnet, magnet cover, spacers, and mounting screw

Technical specifications

Switch dimension	Diameter: 8 mm x 30 mm
Magnet	Diameter: 10 mm x 3.6 mm x 5 mm (neodymium)
Reed contact type	2x normally open contacts
LSN operating voltage	15 V to 33 V
Current consumption	0.4 mA
Switch tolerance	≥ 10 ⁷

Environmental class	VDS III – EN IIIa
Temperature range	-40 °C to +70 °C
Protection category	IP 67
Colors	White (RAL 9003)
Connection cable	LiY(St)Y 4 x 0.22 mm ²
Cable length	Standard length 4 m; maximum length 25 m

VdS class	
• Combined opening and closure monitoring	C
• Opening monitoring	C
• Closure monitoring	C

Ordering information

ISP-MCOLS3-U110S LSN bolt contact w magnet, window, VdS-C

For combined opening and closure monitoring of windows, tamper surveillance, head-on flush mounting
Order number **ISP-MCOLS3-U110S | F.01U.275.633**

Represented by:

Europe, Middle East, Africa:
Bosch Security Systems B.V.
P.O. Box 80002
5600 JB Eindhoven, The Netherlands
Phone: + 31 40 2577 284
www.boschsecurity.com/xc/en/contact/
www.boschsecurity.com

Germany:
Bosch Sicherheitssysteme GmbH
Robert-Bosch-Ring 5
85630 Grasbrunn
Tel.: +49 (0)89 6290 0
Fax: +49 (0)89 6290 1020
de.securitysystems@bosch.com
www.boschsecurity.com

North America:
Bosch Security Systems, LLC
130 Perinton Parkway
Fairport, New York, 14450, USA
Phone: +1 800 289 0096
Fax: +1 585 223 9180
onlinehelp@us.bosch.com
www.boschsecurity.com

Asia-Pacific:
Robert Bosch (SEA) Pte Ltd, Security Systems
11 Bishan Street 21
Singapore 573943
Phone: +65 6571 2808
Fax: +65 6571 2699
www.boschsecurity.com/xc/en/contact/
www.boschsecurity.com