

Installation

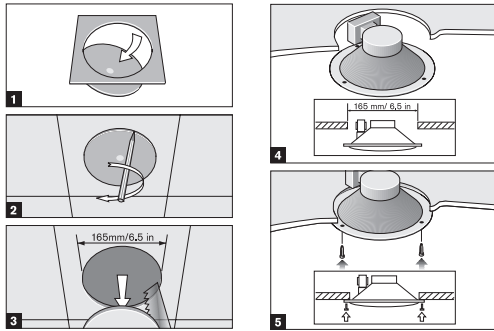


Fig. 1:

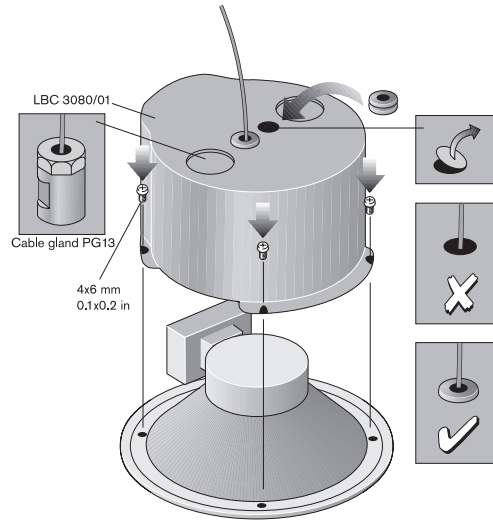


Fig. 2:

Technical data

Electrical*

Maximum power	9 W
Rated power	6 W (6 / 3 / 1.5 / 0.75 W)
Sound pressure level at 6 W / 1 W (1 kHz, 1 m)	99 dB / 91 dB (SPL)
Sound pressure level at 6 W / 1 W (4 kHz, 1 m)	104 dB / 96 dB
Effective frequency range (-10 dB)	70 Hz to 18 kHz
Opening angle at 1 kHz / 4 kHz (-6 dB)	160° / 55°
Rated voltage	100 V
Rated impedance	1667 Ohm
Connector	2-pole screw terminal

* Technical performance data acc. to IEC 60268-5

Mechanical

Diameter	199 mm (7.8 in)
Maximum depth	77 mm (3.03 in)
Mounting cut-out	165 + 5 mm (6.5 + 0.20 in)
Speaker diameter	152.4 mm (6 in)
Weight	900 g (1.98 lb)
Color	White (RAL 9010)
Magnet weight	150 g (5.3 oz)

Environmental

Operating temperature	-25 to +55 °C (-13 °F to +131 °F)
Storage temperature	-40 to +70 °C (-40 °F to +158 °F)
Relative humidity	<95%

Mechanical LBC 3080/01

Dimensions (dia. x max depth)	147 x 87 mm (5.8 x 3.4 in)
Weight	360 g (0.8 lb)
Color	Flame red (RAL 3000).

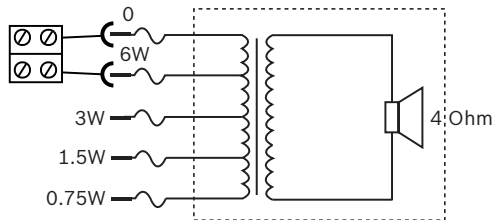


Fig. 3: Circuit diagram

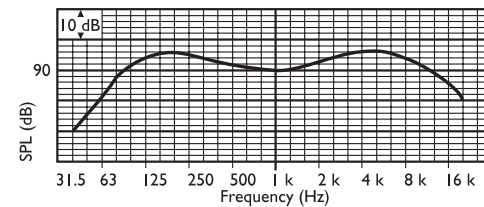


Fig. 4: Frequency response

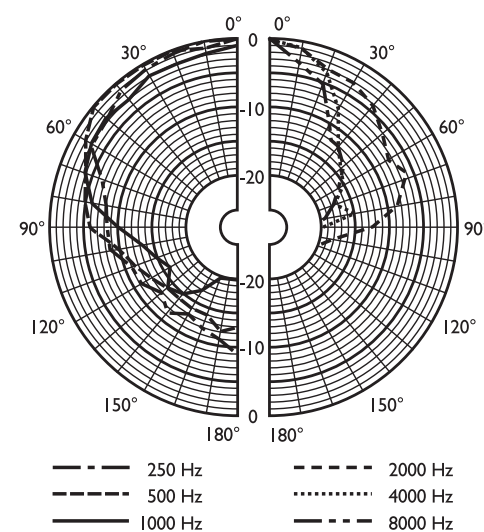
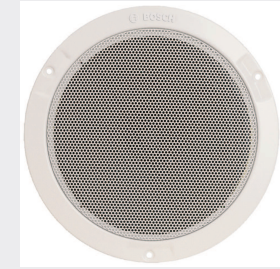


Fig. 5: Polar diagram



LHM 0626/00 Ceiling Loudspeaker



en Installation note

Bosch Security Systems B.V.

Torenallee 49
5617 BA Eindhoven
The Netherlands

www.boschsecurity.com

© Bosch Security Systems B.V., 2013