



Control Panel

Solution 2000 / 3000



BOSCH

en Quick Reference Guide

Table of contents

1	Introduction	6
2	Programming	7
2.1	Alphanumeric Codepad Menu Programming	7
2.2	ICON LCD Codepad Programming	10
2.3	Programming Option Bits	11
2.4	Installer's programming commands	11
3	Operating Commands	12
3.1	Add/Delete RF Device (Wireless Zones)	14
3.1.1	Using an ICON codepad	14
3.1.2	Using an Alphanumeric codepad or Touchscreen	15
3.2	Add/Delete RF Repeater	15
3.3	Add/Delete RF Keyfob	16
3.3.1	Using an ICON codepad	16
3.3.2	Using an Alphanumeric codepad	17
3.4	Set the Number of Days until the First Test Report	17
3.5	Change Domestic Telephone Numbers	17
3.6	Change the Telco Arm/Disarm Sequence	18
3.7	Set STAY Mode 2 Bypass Zones	18
3.8	Report Monitor Mode (Toggle On/Off)	18
3.9	Setting Date and Time	19
3.10	Walk Test Mode	19
3.11	Event Memory Recall	19
3.12	Fault Analysis Mode	19
4	Programming Parameters	22
4.1	Communication Programming	22
4.1.1	Receiver 1	22
4.1.2	Receiver 2	22
4.1.3	Receiver 3	23
4.1.4	Receiver 4	24
4.1.5	External Network Module	26
4.1.6	Network Module Cloud Connection	26
4.1.7	Password for A-Link Plus/RSC Connection	26
4.1.8	DTMF Timing Compensation	26
4.1.9	Country Codes	26
4.1.10	Telco Arming Sequence (Call Forward On)	26
4.1.11	Telco Disarm Sequence (Call Forward Off)	26
4.1.12	Call Back Telephone Number	27
4.1.13	Ring Count	27
4.1.14	Telephone Line Fail Options	27
4.1.15	Communication Options 1	27
4.1.16	Communication Options 2	27
4.1.17	Communication Options 3	28
4.1.18	A-Link Plus Options	28
4.2	Installer Code	28
4.3	User Code Programming	28
4.4	Day Alarm Zones	30
4.5	EOL Resistor Value	30
4.6	Zone Programming	30

4.7	Swinger Programming	34
4.7.1	Swinger Shutdown Count For Siren	34
4.7.2	Swinger Shutdown Count For Report	34
4.8	Zone Status Programming	34
4.8.1	STAY Mode 2 Automatically Bypass Zones	34
4.8.2	Zone Status Reporting Options	34
4.9	RF Programming	35
4.9.1	RF Supervision Time	35
4.9.2	RADION Anti-Jamming Sensitivity	35
4.9.3	RF Receiver	35
4.9.4	RF Options	35
4.10	Report Programming	35
4.10.1	Arm / Disarm Reporting Options	35
4.10.2	Codepad Reporting Options	36
4.11	System Status Programming	36
4.11.1	Access Denied(Code Retry)	36
4.11.2	System Status Reporting Options	36
4.12	Test Report Programming	36
4.12.1	Test Report Time (Automatic)	36
4.12.2	Test Reporting Options	37
4.13	Output Programming	38
4.14	Time Programming	43
4.14.1	Entry Time 1	43
4.14.2	Entry Time 2	43
4.14.3	Exit Time (AWAY/STAY Modes)	43
4.14.4	Entry Guard Time For STAY Mode	43
4.14.5	Delay Alarm Report Time	43
4.14.6	Sensor Watch Time	43
4.14.7	Codepad Lockout Time	44
4.14.8	Siren Run Time	44
4.14.9	Siren Sound Rate	44
4.14.10	Auto Arming Pre-Alert Time	44
4.14.11	Auto Arming Time	44
4.14.12	Auto Disarming Time	44
4.14.13	Kiss-Off Wait Time	44
4.14.14	Speaker Beep Volume	45
4.15	Options Programming	45
4.15.1	System Options 1	45
4.15.2	System Options 2	45
4.15.3	System Options 3	45
4.15.4	System Options 4	45
4.15.5	System Options 5	46
4.15.6	Consumer Options 1	46
4.15.7	Consumer Options 2	46
4.15.8	Consumer Options 3	46
4.15.9	Partitioning Options 1	46
4.15.10	Partitioning Options 2	47
4.16	Partition Allocations	47
4.16.1	Zone Area Assignment	47

4.16.2	Codepad Assignment	47
4.16.3	User Code Area Assignment	48
4.17	Default Options	48
4.18	RFID Programming	49
4.18.1	Keyfob RFID	49
4.18.2	Zone/Device RFID and RF Zone Option	50
4.18.3	Repeater RFID	50
4.19	Alphanumeric Codepad Items	51
4.19.1	Home Message	51
4.19.2	Zone Names	51
4.19.3	User Names	51
5	Appendices	53
5.1	Connections for EOL Resistors	53
5.2	Wiring Diagram	54
5.3	Component Overlay	55
5.4	Codepad Address Setting	56

1 Introduction

Thank you for choosing the Solution 2000 / 3000 Control Panel for your installation. You will find this system extremely flexible, reliable, and easy to use. This Quick Reference Guide is supplied with the system to provide users with enough basic information to wire, configure, and program the system. Due to the systems many programmable features and options, we suggest that you obtain the Installation Guide that provides detailed information on system options, functions, and programming methods.

Throughout this document, the words “control panel ” refer to all control panels covered by this document (Solution 2000 / Solution 3000).

Features	Solution 2000	Solution 3000
Number of users	32	32
HCT-4 Keyfobs – WE800EV2 required	21	21
RADION RKF Keyfobs – RADION B810 required	0	32
Number of areas / partitions	2	2
Number of zones / inputs ¹	4 + 4 (ZD)	8 + 8 (ZD) or 8 + 8 (B228)
Number of Onboard outputs	4	4
Number of Alphanumeric LCD codepads IUI-SOL-TEXT or ICON LCD codepads IUI-SOL-ICON	4	4
Number of Touchscreen codepads IUI-SOL-4TS or IUI-SOL-7TS ²	1	1
Number of wireless receiver WE800EV2 ³	1	1
Number of RADION receiver B810	0	1
Number of RADION repeater RFRP	0	8
Number of B228 SDI2 8-input,2-ouput Expansion Module (only available on control panel firmware v2.x and above)	0	1
Number of B308 Octo-output Modules	2	2
Number of B426/B426-M Conettix Ethernet Communication Modules ⁴	2	2
Number of B450/B450-M Conettix Plug-in Communicator Interfaces	2	2

Tab. 1.1: Control Panel Capacities

¹ Solution 3000 supports 16 inputs via zone doubling with 8 onboard inputs, or 8 onboard inputs plus 8 B228 inputs.

² Including the touchscreen codepad, up to 4 codepads can be used per system.

³ Receiver WE800EV2 and B810 are mutually exclusive.

⁴ Up to two B426/B426-M/B450/B450-M can be used per system.

2 Programming

The programming options of the system are stored in a non-volatile EPROM. This memory holds all information during a total power loss and can be changed as many times as required. The entire programming sequence consists of entering a location number and changing the data as required.

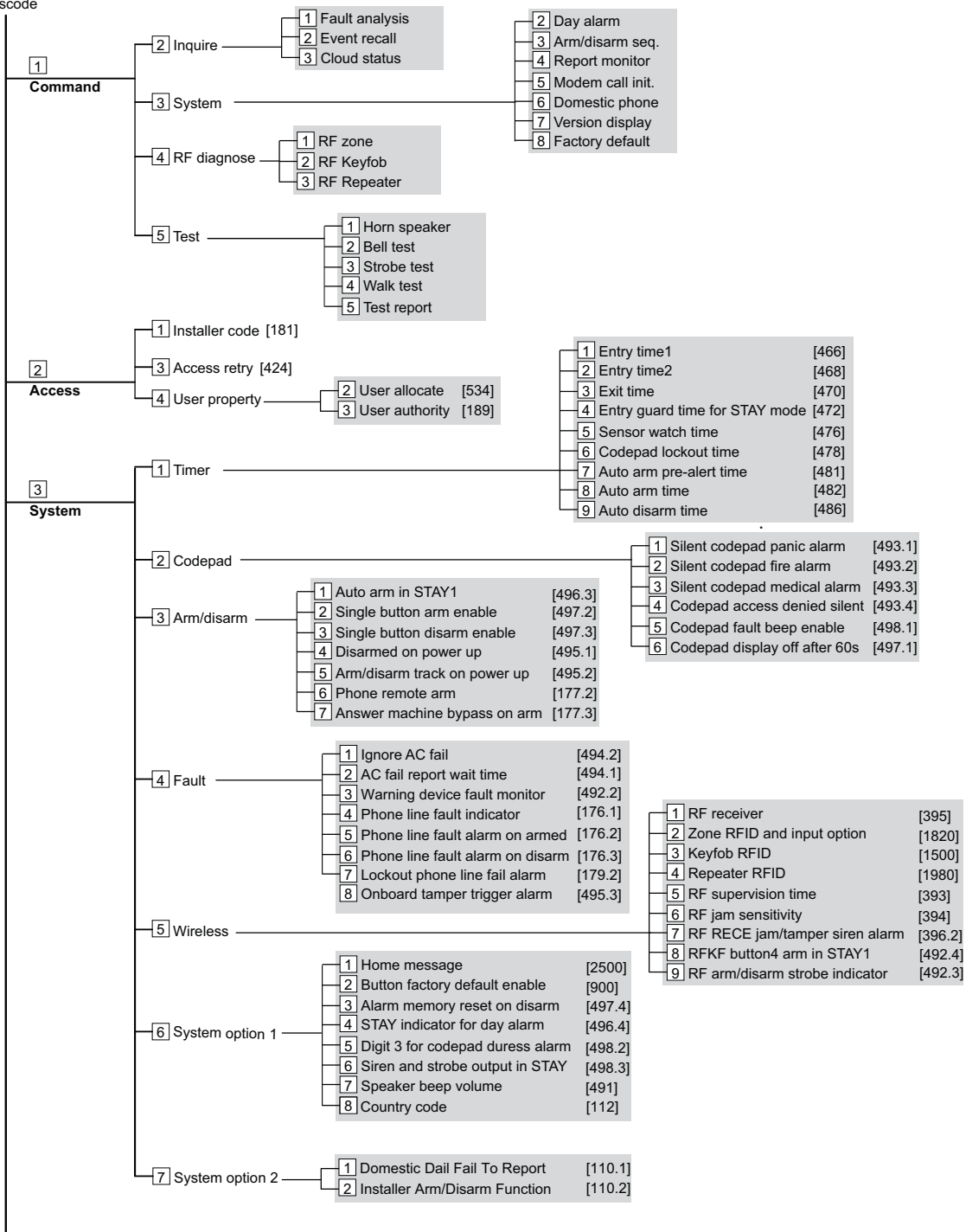
Use the following methods to program the system:

- Codepad
- A-Link Plus Software

2.1 Alphanumeric Codepad Menu Programming

1. Enable Alphanumeric codepad and confirm that the system is in disarmed status.
2. To enter Installer's Programming Menu, enter the installer code (Default = 1234) followed by the [#] key or [-] key.
3. Programming: Select the menu and operate according to the menu prompt.
 - Down to the next menu: Press [▼]
 - Up to the previous menu: Press [▲]
 - Enter menu or confirm input : [#]
 - Back to the menu or exit programming item setting: Press [-]; or press and hold [-] for 3 seconds to exit programming without saving changes.
 - Operate according to the menu prompt. Select menu and enter or select data for specific programming items to complete programming, step by step. For specific items and options, refer to *Programming Parameters*, page 22.
4. After completing input, press [-] to get back to the previous menu. Complete all programming input by repeating step 3 and press [-] to get back to the current main menu level by level.
5. To use the Alphanumeric codepad in location programming mode (like IUI-SOL-ICON), enter programming option [8] [1].
 - In location programming mode enter the programming location then [#].
 - Enter the new data then [*] to save it. Enter [#] to go to the next location.
6. When [Confirm to Save Parameter Changes?] display, press [#] to save parameter changes , exit menu programming and reset system.

Installer
Passcode



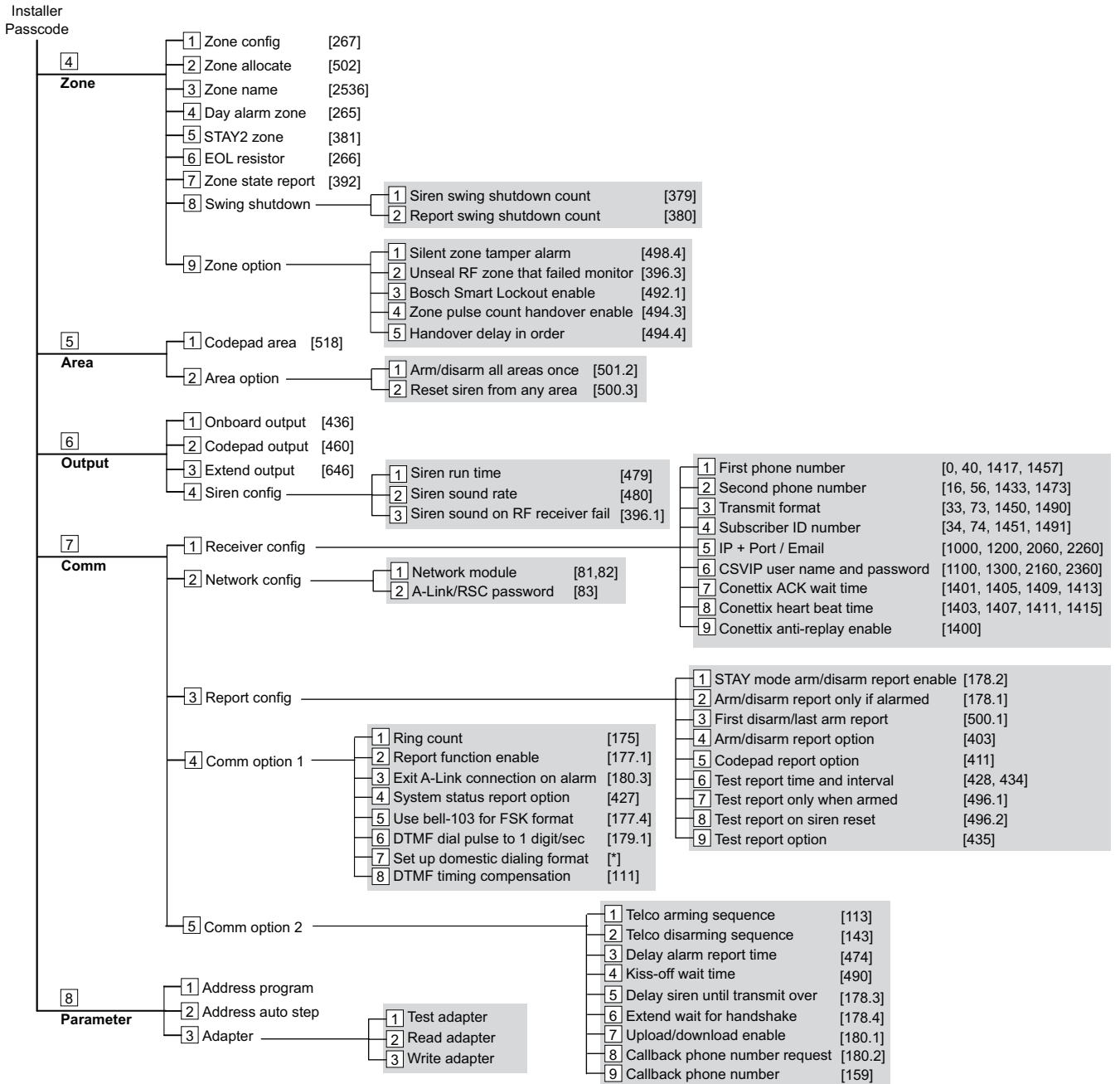


Figure 2.1: Alphanumeric Codepad Programming Menu

2.2 ICON LCD Codepad Programming

The system must be disarmed (with no active alarm) to program the system. If there is an active alarm or the system is armed, enter the code for User 1 (Default = 2580) followed by the [#] key. (User Code 1 is factory default as the Master Code.)

1. Enter Installer's Programming Mode: Enter the installer code (Default = 1234) followed by the [#] key. Two beeps are heard and both the STAY and AWAY indicators flash simultaneously to indicate that you entered programming mode. The codepad indicators display the current data programmed in Location 0000 (first location of the Primary Telephone Number).
2. Programming: Move to the required location and program new data into location.
 - To move to another programming location, enter the location number followed by the [#] key. The data in the new location is displayed using the codepad indicators. (For example, if you enter [34 #], the system jumps to Location 0034, the beginning of the Subscriber ID Number For Receiver 1.)
 - To move to the next location, press the [#] key. This steps you to the next location. The data in the next location is displayed using the codepad indicators. (For example, if you are currently positioned at Location 0034, pressing [#] key takes you to Location 0035.)
 - To step back one location, press the [*] key. (For example, if you are currently positioned at Location 0035, pressing the [*] key returns to Location 0034.)
 - To change data in the current location, enter the new value (0 to 15) followed by the [*] key. This stores the new data into the location. (For example, if you enter the value [14*], the Zone 14 indicator display to represent the new data value.)
3. Exit from Installer's Programming Mode with saving changes: Enter [960#]. Two beeps are heard and the STAY and AWAY indicators no longer display. The system returns to the disarmed state and is ready for use.

Task	Keystrokes
Enter Installer's Programming Mode	[1234#]
Exit from Installer's Programming Mode without saving changes	[958#]
Exit from Installer's Programming Mode with saving changes and panel reset	[960#]
Step to next Location	[#]
Step back one Location	[*]
Program new data into Location	[Data][*] (Data = 0 to 15)
Jump to another Location	[Location No.] [#]

Tab. 2.2: Quick Guide to Programming

2.3 Programming Option Bits

Use option bits to program any combination of the four different options in one location by adding the options together. Programming a zero disables all four options.

Example

If at Location 0178 you only want options 1, 2, and 4, add the numbers together and the total is the number to be programmed. The number to be programmed is 7 ($1 + 2 + 4 = 7$).

Option	Description
1	Arm/Disarm Reports only if alarmed
2	STAY Mode Arm/Disarm Reports Enable
4	Delay siren until transmission complete
8	Extend handshake wait time from 30 to 60 sec.

Tab. 2.3: Programming Option Bits

2.4 Installer's programming commands

Installer Programming Commands, displayed in below table can only be used when you enter Installer's Programming Mode. Enter the command followed by the [#] key.

Command	Description
958	Exit from Installer's Programming Mode without saving changes
959	Test IUI-SOL-ADAPTER
960	Exit from Installer's Programming Mode with saving changes and system reset
961	Reset the control panel to factory defaults
962	Copy the control panel memory to IUI-SOL-ADAPTER
963	Copy IUI-SOL-ADAPTER data to the control panel memory
965	Set up domestic dialing format
966	Enable/disable the automatic stepping of locations during programming
999	Display the control panel firmware version number

Tab. 2.4: Installer's Programming Commands

3 Operating Commands

The system supports programmable 1- 4- digit Installer code or User Code to execute the following operating commands.

No identical User Codes are allowed. User Codes are not permitted to be the same as Installer codes.

For [Code] + [Number] commands, the code must be 4-digit.

Access Key:

A = All have access (no code required)

U = User and Master access (user code required)

I = Installer access (Installer code required)

Installer Command	Function Description	Access
Code+[0][#]	Add or Delete RF Devices	(I)
Code+[0][#]	Add or Delete RF Repeaters / Keyfobs (ICON codepad only)	(I)
Code+[1][#]	Set Days until the First Test Report	(I)
Code+[2][#]	Change Domestic Phone Number	(I)
Code+[3][#]	Change Telco Arm/Disarm Sequence	(I)
Code+[4][#]	Setting STAY Mode 2 Zones	(I)
Code+[6][#]	Enable Report Monitor Mode	(I)
Code+[7][#]	Walk Test Mode	(I)
Code+[8][#]	Event Memory Recall Mode	(I)
Code+[9][#]	AWAY Arm/Disarm	(I)
Code+[9][*]	STAY 1 Arm/Disarm	(I)
Code+[#]	Enter Programming Menu	(I)
Code+[-]	Enter Programming Menu	(I)

Tab. 3.5: Installer command

Master/User Command	Function Description	Access
Code+[0][#]	Arm/Disarm both areas at the same time	(U)
Code+[1][#]	Change or Delete User Code and RF Keyfob	(U)
Code+[2][#]	Change Domestic Phone Number	(U)
Code+[3][#]	Change Telco Arm/Disarm Sequence	(U)
Code+[4][#]	Setting STAY Mode 2 Zones	(U)
Code+[5][#]	Turn Output On/Off	(U)
Code+[6][#]	Setting the Date and Time	(U)
Code+[7][#]	Walk Test Mode	(U)
Code+[8][#]	Event Memory Recall Mode	(U)
Code+[9][#]	Duress Disarm	(U)

Master/User Command	Function Description	Access
Code+[*]	STAY 1 Arm / Disarm or STAY 2 Disarm	(U)
Code+[#]	AWAY Arm / Disarm	(U)
Code+[0][1][*]	STAY1 Arm/Disarm Area 1 Or STAY2 Disarm Area 1	(U)
Code+[0][2][*]	STAY1 Arm/Disarm Area 2 Or STAY2 Disarm Area 2	(U)
Code+[0][1][#]	AWAY Arm/Disarm Area 1	(U)
Code+[0][2][#]	AWAY Arm/Disarm Area 2	(U)
Code+[-]	Enter User Menu (Alphanumeric codepad only)	(U)
[*]+Code+[*]	Zone Bypass (Zone Isolating)	(U)
Code+[9][9][8][9][#]	System Reset	(U)

Tab. 3.6: User command

Long Press Command	Function Description	Access
Hold-down [0] 3sec	Arm/Disarm the system in STAY Mode 2	(AUI)
Hold-down [1] 3sec	Horn Speaker Test	(AUI)
Hold-down [2] 3sec	Bell Test	(AUI)
Hold-down [3] 3sec	Strobe Test	(AUI)
Hold-down [4] 3sec	Turn Day Alarm On/Off	(AUI)
Hold-down [5] 3sec	Fault Analysis Mode	(AUI)
Hold-down [6] 3sec	Initiate a Modem Call	(AUI)
Hold-down [7] 3sec	Reset Latching Output	(AUI)
Hold-down [8]	Change the Codepad Buzzer Tone and Codepad Area Display	(AUI)
Hold-down [9] 3sec	Send Test Report	(AUI)
Hold-down [#] 3sec	Arm the system in AWAY Mode	(AUI)
Hold-down [*] 3sec	Arm/Disarm the system in STAY Mode 1	(AUI)
Hold-down [-] 3sec	Exit Menu Without Saving changes	(AUI)

Tab. 3.7: Long press command

Two Keys Command	Function Description	Access
[1]+[3]	Codepad Panic Alarm	(AUI)
[4]+[6]	Codepad Fire Alarm	(AUI)
[7]+[9]	Codepad Medical Alarm	(AUI)
[*]+[#]	Codepad Panic Alarm	(AUI)

Tab. 3.8: Two keys command

Other Command	Function Description	Access
[*]+[*]	Zone Bypass	(U)
[-]	Enter General Menu (Alphanumeric codepad only)	(AUI)
[#]	Stop Walk Test/New Fault Confirm	(AUI)

Tab. 3.9: Other command



Notice!

Most commands below are operated via IUI-SOL-ICON codepad.

3.1 Add/Delete RF Device (Wireless Zones)



Notice!

Solution 2000 does not support wireless zones.



Notice!

Set RF receiver as RADION Receiver B810 (Value 1 in Location 395), and set Zone Source of RF zones as RF (Location 754 to 769).

3.1.1 Using an ICON codepad

Add RF Device

1. Enter the Installer Code, followed by [0] and the [#] key (for example, [12340#]).
2. Enter the device number (1 to 16) you want to add, followed by the [#] key.
3. Enter the RF device ID manually or switch to auto mode.
 - In manual mode, enter the 9-digit RF device ID number, followed by the [#] key.
 - Press [#] key to switch to auto mode. When icon numbers (1 to 16) flash, trigger the sensor or tamper it to learn it into the panel. The panel learns the RF device ID number and the last digit of RFID number displays on the codepad. Press [#] key to confirm the operation.
4. Enter [#] key to accept the default value for the RF zone input option. Or enter a different zone input option (0 to 15), followed by the [#] key.

RF zone/device ID numbers and RF zone input option, refer to *Zone/Device RFID and RF Zone Option*, page 50.

Zone source programming, refer to *Zone Programming, page 30*.

Delete RF Device

1. Enter the Installer Code, followed by [0] and the [#] key.
2. Enter the device number (1 to 16) you want to delete, followed by the [#] key.
3. Press the [*] key to delete the RF device.

3.1.2

Using an Alphanumeric codepad or Touchscreen

Add RF Device

1. Enter the Installer Code, followed by [0] and the [#] key (for example, [12340#]).
2. Enter the zone (device) number (1 to 16) you want to add, followed by the [#] key.
3. Enter the RF device manually or switch to auto mode [*] key.
 - In manual mode, enter the 9-digit RF device ID number.
 - In auto mode [*] trigger the sensor or tamper it to learn it into the panel. The codepad will display RFID number.
4. Press [#] to confirm the operation.

Delete RF Device

1. Enter the Installer Code, followed by [0] and the [#] key.
2. Enter the device number (1 to 16) you want to delete, followed by the [#] key.
3. Press the [*] [5] key to delete the RF device.
4. Press [#] to confirm the operation.

3.2

Add/Delete RF Repeater



Notice!

Solution 2000 does not support RF repeaters.

For Solution 3000 , set RF receiver as RADION Receiver B810.

Add RF Repeater

1. Enter the Installer Code, followed by [0] and the [#] key (for example, [12340#]).
2. Enter the point ID of RADION Repeater (822 to 829) you want to add (822 = 1,823 = 2, etc.), followed by the [#] key. Repeater number (1 to 8) displays on the ICON codepad.
3. Use manual mode or auto mode to configure Repeater RFID.
 - In manual mode, enter the 9-digit RF Repeater ID number, followed by the [#] key.
 - Or press [#] key to switch into auto mode. When icon numbers (1 to 16) flash, tamper the RF Repeater. The panel learns the RF Repeater ID number and the last digit of RFID number displays on the codepad. Press [#] key to confirm.
4. Enter [#] key to confirm the operation, or enter [*] to cancel.

Delete RF Repeater

1. Enter the Installer Code, followed by [0] and the [#] key.
2. Enter the point ID of RADION Repeater (822 to 829) you want to delete, followed by the [#] key.
3. Press the [*] key to delete the RF Repeater.

Example:

To delete existing RF Repeater 8: Enter your installer code and press [0] [#] [8] [2] [9] [#] [*].

3.3 Add/Delete RF Keyfob



Notice!

Use Master Code to add/delete the RF keyfobs.

3.3.1 Using an ICON codepad

Add WE800EV2 Keyfob



Notice!

Learn all WE800EV2 keyfobs via WE800EV2 receiver Learn/Delete button before adding the WE800EV2 keyfobs to the system. Refer WE800EV2 manual for learn/delete fobs.



Notice!

Set RF receiver as WE800EV2 Receiver (Value 2 in Location 395).

1. Enter the Master Code, followed by [1] and the [#] key (for example, [25801#]).
2. Enter the WE800EV2 keyfob number (301 to 332) you want to add (301 = keyfob 1, 302 = keyfob2, etc.), followed by the [#] key. Up to 21 WE800EV2 keyfobs can be added, but only current keyfob number (1 to 16) displays through zone indicators on the ICON codepad.
3. The user number will display on the codepad. Press [#] to continue.
4. When icon numbers (1 to 16) flash, press button 1 or 2 of the keyfob. The panel learns the WE800EV2 Keyfob ID number and the last digit of RFID number displays on the codepad. Press [#] key to confirm.
5. Enter [#] key to confirm the operation, or press [*] to cancel.

Delete WE800EV2 Keyfob

1. Enter the Master Code, followed by [1] and the [#] key.
2. Enter the WE800EV2 keyfob number (301 to 332) you want to delete, followed by the [#] key.
3. Press the [*] key to delete the WE800EV2 Keyfob.

Add RADION Keyfob



Notice!

Solution 2000 does not support RADION keyfobs.

Set RF receiver as RADION Receiver B810 (Value 1 in Location 395).

1. Enter the Master Code, followed by [1] and the [#] key (for example, [25801#]).
2. Enter the RADION keyfob number (301 to 332) you want to add (301 = keyfob 1, 302 = keyfob2, etc.), followed by the [#] key. Up to 32 RADION keyfobs can be added, but only current keyfob number (1 to 16) displays through zone indicators on the ICON codepad.
3. Use manual mode or auto mode to configure RADION keyfob RFID.
 - In manual mode, enter the 9-digit RF device ID number, followed by the [#] key.
 - Or press [#] key to switch into auto mode. When icon numbers (1 to 16) flash, press button 1 or 2 of the keyfob. The panel learns the RADION Keyfob ID number and the last digit of RFID number displays on the codepad. Press [#] key to confirm.

4. Enter [#] key to confirm the operation, or press [*] to cancel.

Delete RADION Keyfob

1. Enter the Master Code, followed by [1] and the [#] key.
2. Enter the RADION keyfob number (301 to 332) you want to delete, followed by the [#] key.
3. Press the [*] key to delete the RADION Keyfob.

Example:

To delete existing RADION keyfob 1: Enter your Master Code and press [1] [#] [3] [0] [1] [#] [*].

3.3.2 Using an Alphanumeric codepad



Notice!

Set RF receiver as WE800EV2 or RADION receiver through the menu [3][5][1].

Add the Keyfob

1. Enter the Master Code, followed by [1] and the [#] key (for example, [25801#]).
2. Choose a user number then press the [#] key.
3. Choose keyfob then press the [#] key.
4. Keyfob RFID displays. The letter "M" appears in the top right corner of the display indicating it is in manual mode.
 - In manual mode, enter the 9-digit RADION keyfob RFID, followed by the [#] key.
 - Or press [*] key to switch into auto mode to configure RADION or RE012EU keyfobs. The letter 'A' should appear in the top right corner of the display indicating it is in automatic mode. Hold button 1 or 2 of the keyfob till codepad displays RFID number. Press [#] key to confirm.
5. Enter [#] key to confirm the operation, or press [*] to cancel.
6. Press menu [-] to exit.

Delete the keyfob

1. Enter the Master Code, followed by [1] and the [#] key.
2. Choose a user number then press the [#] key.
3. Choose keyfob then press the [#] key.
4. Press the [*] key to blank the RFID and then press the [#] to accept.
5. Press menu [-] to exit.

3.4 Set the Number of Days until the First Test Report

1. Enter the Installer Code, followed by [1] and the [#] key.
2. Enter the Number of Days (0 to 15) until the first Test Report is sent, followed by the [#] key.

3.5 Change Domestic Telephone Numbers

Set up receiver transmission format as Domestic.

1. Enter the Installer Code or Master Code, followed by [2] and the [#] key.
2. Enter the sequence number of the telephone number, followed by the [#] key. For example, Telephone Number 1 is [1] [#], Telephone Number 2 is [2] [#], etc.
3. Enter the digits for the telephone number, followed by the [#] key.

If there is more than one telephone number, repeat *Step 1 to Step 3*.

3.6 Change the Telco Arm/Disarm Sequence

Telco Arm Sequence (Call Forward On)

1. Enter the Installer Code or Master Code followed by [3] and the [#] key.
2. Press [1] followed by the [#] key.
3. Enter the **Call Forward On** sequence.
4. Press the [#] key to exit.

Telco Disarm Sequence (Call Forward Off)

1. Enter the Installer Code or Master Code followed by [3] and the [#] key.
2. Press [2] followed by the [#] key.
3. Enter the **Call Forward Off** sequence.
4. Press the [#] key to exit.

3.7 Set STAY Mode 2 Bypass Zones

1. Enter the Installer Code or Master Code, followed by [4] and the [#] key.
2. Enter the Zone Number you want the system to automatically isolate, followed by the [*] key. Repeat if more than one zone must be automatically isolated when armed in STAY Mode 2.
3. Press the [#] key to exit.

3.8 Report Monitor Mode (Toggle On/Off)

To turn Report Monitor Mode on:

1. Enter the Installer Code, followed by [6] and the [#] key. Three beeps sound.
2. Zone indicators turn on to indicate report events for receiver 1/2.
3. Press the [#] key to shift the zone indicators to indicating report events for receiver 3/4. Press the [*] key to switch back to receiver 1/2.
4. Press and hold the [9] key until two beeps are heard to send a test report.

To Turn Report Monitor Mode off:

Enter the Installer Code, followed by [6] and the [#] key. Two beeps sound.

Zone LED for Receiver 1/3	Zone LED for Receiver 2/4	Report Event
1	9	Telephone Line Seized
2	10	Dialing Telephone Number / Network Connect
3	11	Handshake Received
4	12	Data Being Sent
5	13	Kiss-Off Received
None	None	Released Telephone Line / Idle

Tab. 3.10: Report Monitor Mode Indications



Notice!

You must exit from Report Monitor Mode to resume normal operations.

3.9 Setting Date and Time

1. Enter the Master Code, followed by [6] and the [#] key (for example, [25806#]).
2. Enter the day (DD), month (MM), and year (YY) following by the hour (HH) and minute (MM). To program the hour of the day, use the 24:00 hour format.
3. Press the [#] key to exit.

3.10 Walk Test Mode

1. Enter the Installer Code or Master Code, followed by [7] and the [#] key.
2. Test each zone as required.
3. Press the [#] key to exit.

3.11 Event Memory Recall

Enter the Installer Code or Master Code, followed by [8] and the [#] key.

The last 256 events are displayed in reverse order (for example, most recent to least recent).

3.12 Fault Analysis Mode

If a fault occurs, the FAULT or MAINS indicators flash and the codepad beeps once every min. If the AC MAINS supply fails, the MAINS indicator flashes until the AC MAINS supply is restored. Pressing the [#] button once acknowledges the fault and stops the codepad from beeping once every min.

How to Determine the Type of System Fault

To determine which system fault occurred, enter Fault Analysis Mode by following the steps below:

1. Hold down the [5] key until two beeps sound. The STAY and AWAY indicators flash in unison. A zone indicator displays the type of fault that occurred (for example, Zone 1 = System Fault). Refer to *Fault Indicators, page 19* for the list of possible system faults.
2. To further determine the type of fault condition, press the key that corresponds to the zone indicator displayed. For example, if Zone 1 displayed System Fault, press the [1] key to display which system fault occurred.
3. To exit Fault Analysis Mode and return to the disarmed state, press the [#] key. The FAULT indicator continues to display and the codepad stops sounding once a min.

Fault Indicators

Zone Indicator	Fault Description	Press Button	Zone Indicator	Fault Condition
1	System Fault	1	1 2 3 4 5 7 8 9 to 16	Battery Fail Date and Time RF Receiver Fail Output 1 to 3 Fail Telephone Line Fail Power Supply Fail Onboard Tamper RF Repeaters 1 to 8 Fail (Solution 2000 N.A.)
2	RF Low Battery (Solution 2000 N.A.)	2	1 to 16	Zones 1 to 16 RF Low Battery

Zone Indicator	Fault Description	Press Button	Zone Indicator	Fault Condition
3	Zone Tamper Alarm	3	1 to 16	Zones 1 to 16 Tamper Alarm
4	Sensor Watch Fault	4	1 to 16	Zones 1 to 16 Sensor Watch Fail
5	RF Sensor Missing (Solution 2000 N.A.)	5	1 to 16	Zones 1 to 16 RF Sensor Watch Fail
6	Communication Fail	6	1 2 3 4 5 6	Receiver 1 Fail Receiver 2 Fail Receiver 3 Fail Receiver 4 Fail IP Module 1 Fail IP Module 2 Fail
7	Output and Codepad Fail	7	1 to 2 3 to 6	Output Expanders 1 to 2 Fail Codepads 1 to 4 Fail
8	Keyfob Low Battery	8	1 to 16	Keyfobs 1 to 16 Low Battery

Tab. 3.11: Fault Indicators

Fault Descriptions

1 System Fault

A system fault only displays when any of the following faults occur. After entering Fault Analysis Mode, press the [1] key to determine which of the following faults occurred.

Low Battery Fault – A low battery fault registers when the system detects a low capacity back-up battery. The system automatically performs a battery test every four hours and every time you arm the system.

Date and Time – The date and time fault registers every time the system is powered down.

RF Receiver Fail – This fault registers when the RF wireless receiver unit detects RF jamming, the RF wireless receiver is disconnected from the control panel or failed, or the RF receiver's cover tamper switch is activated.

Output 1 to 3 Fail – This fault registers when the system detects output 1 – 3 as warning device (Horn Speaker, Siren Running, Strobe) is disconnected or short. This fault clears once all outputs are reconnected. Your installer must program the system for this feature to operate.

Telephone Line Fail – A telephone line fault registers when the system detects that the telephone line is disconnected from the control panel. Your installer must program the system for this feature to operate.

Power Supply Fail – This fault occurs when AUX power supplies fails, +12V power fails, or SDI2 Bus power fails. Contact your installer as soon as this fault displays.

Onboard Tamper – This fault occurs when the system detects the control panel is tampered.

RF Repeater Fail – The RF repeater 1 to 8 fault registers once the system detects that the wireless repeater is disconnected or the repeater tamper is triggered.

2 RF Low Battery

This fault occurs when any of the RF wireless devices report a low battery condition to the control panel. While in Fault Analysis Mode, press the [2] key until two beeps sound. This displays the zone reporting the RF Low Battery fault.

3 Zone Tamper Fail

This fault occurs when any zone with tamper becomes an open or short circuit. Press the [3] key until two beeps sound. This displays the zone reporting the tamper fail fault.

4 Sensor Watch Fault

A sensor watch fault registers because one or more detection devices failed to detect any movement during the disarmed state for the time period programmed by your installer. The fault clears once the zone in question detects movement and resets. Press the [4] key until two beeps sound. This displays the zone reporting the sensor watch fault.

5 RF Sensor Missing

An RF sensor missing fault registers because one or more RF detection devices fails to communicate to the RF radio receiver for the time period programmed by your installer. The fault clears once the RF device in question successfully transmits to the RF radio receiver. Press the [5] key until two beeps sound. This displays the RF detection device reporting the RF sensor watch fault.

6 Communication Fail

A communication fail registers when the control panel fails to communicate with the receiving party (such as a monitoring company, mobile phone). The communication fault clears once the control panel successfully reports to the receiving party.

A communication fail also registers when network module is disconnected or tampered. To determine which receiver or module failed to communicate, press the [6] key.

7 Output and Codepad Fail

The output fault registers when the output expander B308 is disconnected or tampered. The codepad fault registers when any codepad is tampered or disconnected from the control panel.

To determine which fault occurred, press the [7] key.

8 Keyfob Low Battery

This fault occurs when any of the RF keyfobs report a low battery condition to the control panel. To determine which keyfob failed, press the [8] key. Only keyfob 1 to 16 faults display on the codepad through zone indicator 1 to 16.

4 Programming Parameters



Notice!

Column **New** is for installer to record new programming parameters.

4.1 Communication Programming

4.1.1 Receiver 1

Item	Location	Option	Default	New
Phone Number 1	0000 - 0015	15 = Telephone termination	15	
Phone Number 2	0016 - 0031	15 = Telephone termination	15	
Transmission Format	0033	0 = Not used 1 = Contact ID 4 = Domestic 5 = Conettix IP 6 = SIA Fast 7 = SIA Slow 8 = CSVIP 9 = Email	1	
Subscriber ID Number	0034 - 0039		0	
IP + Port / Email	1000 - 1099			
CSVIP User Name and Password	1100 - 1163			
Conettix Anti-replay	1400	1 = Anti-replay for Receiver 1 Enable 2 = Anti-replay for Receiver 2 Enable 4 = Anti-replay for Receiver 3 Enable 8 = Anti-replay for Receiver 4 Enable	15	
Conettix ACK Wait Time	1401 - 1402	0 - 99 = 0 - 99 sec.	5	
Conettix Heart Beat Time	1403 - 1404	1 - 99 = 1 - 99 min.	1	

4.1.2 Receiver 2

Item	Location	Option	Default	New
Phone Number 1	0040 - 0055	15 = Telephone termination	15	
Phone Number 2	0056 - 0071	15 = Telephone termination	15	

Item	Location	Option	Default	New
Transmission Format	0073	0 = Not used 1 = Contact ID 4 = Domestic 5 = Conettix IP 6 = SIA Fast 7 = SIA Slow 8 = CSVIP 9 = Email	1	
Subscriber ID Number	0074 - 0079		0	
IP + Port / Email	1200 - 1299			
CSVIP User Name and Password	1300 - 1363			
Conettix Anti-replay	1400	1 = Anti-replay for Receiver 1 Enable 2 = Anti-replay for Receiver 2 Enable 4 = Anti-replay for Receiver 3 Enable 8 = Anti-replay for Receiver 4 Enable	15	
Conettix ACK Wait Time	1405 – 1406	0 – 99 = 0 – 99 sec.	5	
Conettix Heart Beat Time	1407 – 1408	1 – 99 = 1 – 99 min.	1	

4.1.3 Receiver 3

Item	Location	Option	Default	New
Phone Number 1	1417 - 1432	15 = Telephone termination	15	
Phone Number 2	1433 - 1448	15 = Telephone termination	15	
Transmission Format	1450	0 = Not used 1 = Contact ID 4 = Domestic 5 = Conettix IP 6 = SIA Fast 7 = SIA Slow 8 = CSVIP 9 = Email	1	
Subscriber ID Number	1451 - 1456		0	
IP + Port / Email	2060 - 2159			
CSVIP User Name and Password	2160 - 2223			
Conettix Anti-replay	1400	1 = Anti-replay for Receiver 1 Enable 2 = Anti-replay for Receiver 2 Enable 4 = Anti-replay for Receiver 3 Enable 8 = Anti-replay for Receiver 4 Enable	15	
Conettix ACK Wait Time	1409 – 1410	0 – 99 = 0 – 99 sec.	5	
Conettix Heart Beat Time	1411 – 1412	1 – 99 = 1 – 99 min.	1	

4.1.4 Receiver 4

Item	Location	Option	Default	New
Phone Number 1	1457 - 1472	15 = Telephone termination	15	
Phone Number 2	1473 - 1488	15 = Telephone termination	15	
Transmission Format	1490	0 = Not used 1 = Contact ID 4 = Domestic 5 = Conettix IP 6 = SIA Fast 7 = SIA Slow 8 = CSVIP 9 = Email	1	
Subscriber ID Number	1491 - 1496		0	
IP + Port / Email	2260 - 2359			
CSVIP User Name and Password	2360 - 2423			
Conettix Anti-replay	1400	1 = Anti-replay for Receiver 1 Enable 2 = Anti-replay for Receiver 2 Enable 4 = Anti-replay for Receiver 3 Enable 8 = Anti-replay for Receiver 4 Enable	15	
Conettix ACK Wait Time	1413 - 1414	0 - 99 = 0 - 99 sec.	5	
Conettix Heart Beat Time	1415 - 1416	1 - 99 = 1 - 99 min.	1	



Notice!

Recommend to use A-Link Plus Software or Alphanumeric codepad IUI-SOL-TEXT to enter IP items. Or enter IP items via ASCII Character Codes with ICON codepad IUI-SOL-ICON .

Program IP items with A-Link Plus Software or Alphanumeric codepad

1. Select **Comm** -> **Receiver Config** -> **Transmit Format**, select **CSVIP** for Receiver 1, 2, 3 or 4.
2. Select **Comm** -> **Receiver Config** -> **Subscriber ID Number**, enter Subscriber ID Number.
3. Select **Comm** -> **Network Config**, select module 1 or 2 as **Use, do not configure**.
4. Select **Comm** -> **Receiver Config** -> **IP + Port / Email**, enter IP and the Port, for example, **192.168.226.17:12000**.
5. Select **Comm** -> **Receiver Config** -> **CSVIP User Name And Password**, enter CSVIP User Name and Password:
 - Both user name and password, enter as user name with comma and password with comma, for example, **USER 1, 2580**.
 - Only user name, enter as user name with two commas, for example, **USER 1,,**.
 - Only password, enter as comma, followed by password with comma, for example, **, 2580**.
 - No user name and password, only enter two commas.

For A-Link Plus, enter up to 32 case sensitive alphanumeric characters for CSVIP User Name and Password directly through keyboard.

For Alphanumeric codepad, enter sensitive alphanumeric characters as below table.

Codepad Key	Characters / Function	Codepad key	Characters / Function
▲	Step back former character	6	[m], [n], [o], [6]
_	Exit item setting	7	[p], [q], [r], [s], [7]
▼	Move to next character	8	[t], [u], [v], [8]
1	[.], [@], [:], [_], [1]	9	[w], [x], [y], [z], [9]
2	[a], [b], [c], [2]	*	Case shift
3	[d], [e], [f], [3]	0	[Space], [,], [/], [?], [0]
4	[g], [h], [i], [4]	#	Confirm item setting
5	[j], [k], [l], [5]		

Tab. 4.12: Alphanumeric on Alphanumeric codepad

Program Email with A-Link Plus Software



Notice!

For the network module B426, **Panel Programming Enable** shall be defaulted **Yes** in the Maintenance Page of the web-based configuration menus.



Notice!

When A-Link Plus is used to configure the network module, network module parameters will be replaced by parameters configured in A-Link Plus. Network module parameters, such as IP address and port, must be entered into A-Link Plus as exactly as they are in the module; Web Access Enable must be reset as Enable in A-Link Plus if access to network module via the web interface is still needed.

1. Select **Comm** -> **Receiver Config** -> **Transmit Format**, select **Email**.
2. Select **Comm** -> **Receiver Config** -> **Subscriber ID Number**, enter Email title with consist of 6 numbers.
3. Select **Comm** -> **Network Config**, select module 1 or 2 as **Use and configure** or **Used, B4xx-M**.
4. Select **Comm** -> **Receiver Config** -> **IP + Port / Email**, enter email address of the recipient.
5. Select **Network module programming** -> **Module 1** (or 2) -> **Mail Information**, enter email information. Take the sender as test @ 163.com for example, :
 - Partial mail server name / url : smtp.163.com
 - Mail server port: 465
 - Partial mail server user name: test @ 163.com
 - Mail server password: (enter current password)
 - Security options: Encrypted

4.1.5 External Network Module

Item	Location	Option	Default	New
External Network Module 1	0081	0 = Not used 1 = Use, do not configure	0	
External Network Module 2	0082	2 = Use and configure 3 = Used, B4xx-M	0	

4.1.6 Network Module Cloud Connection

Item	Location	Option	Default	New
Module 1 Cloud Connection	4456	0 = Disable 4 = Enable	0	
Module 2 Cloud Connection	7456		0	

4.1.7 Password for A-Link Plus/RSC Connection

Item	Location	Option	Default	New
Password for A-Link Plus/RSC Connection	0083 - 0092		0	

4.1.8 DTMF Timing Compensation

Item	Location	Option	Default	New
DTMF Timing Compensation	0111	0 = Disable 1 - 9 = Timing compensation	0	

4.1.9 Country Codes

Item	Location	Option	Default	New
Country codes	0112	0 = Australia 1 = China	0	

4.1.10 Telco Arming Sequence (Call Forward On)

Item	Location	Option	Default	New
Telco Arming Sequence (Call Forward On)	0113 - 0142	15 = Telephone termination	15	

4.1.11 Telco Disarm Sequence (Call Forward Off)

Item	Location	Option	Default	New
Telco Disarm Sequence (Call Forward Off)	0143 - 0158	15 = Telephone termination	15	

4.1.12 Call Back Telephone Number

Item	Location	Option	Default	New
Call Back Telephone Number	0159 - 0174	15 = Telephone termination	15	

4.1.13 Ring Count

Item	Location	Option	Default	New
Ring Count	0175	0 = Panel does not answer 1 - 13 = Number of rings until panel answers 14 = Answering machine bypass 2 15 = Answering machine bypass 1	8	

4.1.14 Telephone Line Fail Options

Item	Location	Option	Default	New
Telephone Line Fail Options	0176	1 = Display FAULT Indicator when telephone line fails 2 = Sound alarm when system is armed 4 = Sound alarm when system is disarmed 8 = Reserved	0	



Notice!

Option 2 and 4 must be used in conjunction with Option 1 (for example, program 1,3,5, or 7).

4.1.15 Communication Options 1

Item	Location	Option	Default	New
Communication Options 1	0177	1 = Reporting functions allowed 2 = Remote arming by telephone allowed 4 = Answering machine bypass only when armed 8 = Use Bell 103 for FSK format (Disabled = CCITT V21)	9	

4.1.16 Communication Options 2

Item	Location	Option	Default	New
Communication Options 2	0178	1 = Arm/Disarm Reports only if alarmed 2 = STAY Mode Arm/Disarm Reports Enable 4 = Delay siren until transmission complete 8 = Extend handshake wait time from 30 to 60 sec.	0	

4.1.17 Communication Options 3

Item	Location	Option	Default	New
Communication Options 3	0179	1 = Set DTMF dialing pluses to 1 digit/sec 2 = Lockout telephone line fail alarm 4 = Reserved 8 = Reserved	2	

4.1.18 A-Link Plus Options

Item	Location	Option	Default	New
A-Link Plus Options	0180	1 = Enable upload/download using A-Link 2 = Enable A-Link callback 4 = Terminate A-Link connection on alarm 8 = Reserved	3	

4.2 Installer Code

Item	Location	Option	Default	New
Installer Code	0181		1	
	0182		2	
	0183		3	
	0184		4	

4.3 User Code Programming

Item	Location	Default	New	Authority Level Location	Default	New
User #01	0185	2		0189	10	
	0186	5				
	0187	8				
	0188	0				
User #02	0190 - 0193	15		0194	2	
User #03	0195 - 0198	15		0199	2	
User #04	0200 - 0203	15		0204	2	
User #05	0205 - 0208	15		0209	2	
User #06	0210 - 0213	15		0214	2	
User #07	0215 - 0218	15		0219	2	
User #08	0220	0		0224	3	
	0221 - 0223	15				
User #09	0225 - 0228	15		0229	2	
User #10	0230 - 0233	15		0234	2	
User #11	0235 - 0238	15		0239	2	
User #12	0240 - 0243	15		0244	2	
User #13	0245 - 0248	15		0249	2	

Item	Location	Default	New	Authority Level Location	Default	New
User #14	0250 - 0253	15		0254	2	
User #15	0255 - 0258	15		0259	2	
User #16	0260 - 0263	15		0264	2	
User #17	0566 - 0569	15		0570	2	
User #18	0571 - 0574	15		0575	2	
User #19	0576 - 0579	15		0580	2	
User #20	0581 - 0584	15		0585	2	
User #21	0586 - 0589	15		0590	2	
User #22	0591 - 0594	15		0595	2	
User #23	0596 - 0599	15		0600	2	
User #24	0601 - 0604	15		0605	2	
User #25	0606 - 0609	15		0610	2	
User #26	0611 - 0614	15		0615	2	
User #27	0616 - 0619	15		0620	2	
User #28	0621 - 0624	15		0625	2	
User #29	0626 - 0629	15		0630	2	
User #30	0631 - 0634	15		0635	2	
User #31	0636 - 0639	15		0640	2	
User #32	0641 - 0644	15		0645	2	

Authority Levels	Description
0	Arm/Disarm
1	Arm Only
2	Arm/Disarm and Arm/Disarm Reports
3	Arm Only and Arm Reports
4	Arm/Disarm and Code Required to Isolate
6	Arm/Disarm and Arm/Disarm Reports and Code Required to Isolate
8	Master Code and Arm/Disarm
10	Master Code and Arm/Disarm and Arm/Disarm Reports
12	Master Code and Arm/Disarm and Code Required to Isolate
14	Master Code and Arm/Disarm and Code Required to Isolate and Arm/Disarm Reports

Table 4.13: Authority Levels

4.4 Day Alarm Zones

Item	Location	Option	Default	New
Day Alarm Zones	0265	1 = Zone 1 2 = Zone 2 4 = Zone 3 8 = Zone 4	0	

4.5 EOL Resistor Value

Item	Location	Option	Default	New
EOL Resistor Value	0266	0 = No EOL 1 = 1k 2 = 1k5 3 = 2k2 4 = 3k3 5 = 3k9 6 = 4k7 7 = 5k6 8 = 6k8 9 = 10k 10 = 12k 11 = 22k 12 = Normal open 13 = Reserved 14 = Split EOL (3k3/6k8 with tamper 1k) 15 = Split EOL (3k3/6k8)	15	

4.6 Zone Programming

Item	Location	Default	New	Item	Location	Default	New
Zone #01				Zone #02			
Zone Type	0267	2		Zone Type	0274	1	
Zone Pulse Count	0268	0		Zone Pulse Count	0275	0	
Zone Pulse Count Time	0269	0		Zone Pulse Count Time	0276	0	
Zone Options 1	0270	1		Zone Options 1	0277	1	
Zone Options 2	0271	14		Zone Options 2	0278	14	
Reserved	0272			Reserved	0279		
Zone Report Options	0273	1		Zone Report Options	0280	1	
Zone #03				Zone #04			
Zone Type	0281	1		Zone Type	0288	1	
Zone Pulse Count	0282	0		Zone Pulse Count	0289	0	
Zone Pulse Count Time	0283	0		Zone Pulse Count Time	0290	0	
Zone Options 1	0284	1		Zone Options 1	0291	1	
Zone Options 2	0285	14		Zone Options 2	0292	14	
Reserved	0286			Reserved	0293		
Zone Report Options	0287	1		Zone Report Options	0294	1	
Zone #05				Zone #06			
Zone Type	0295	0		Zone Type	0302	0	

Item	Location	Default	New	Item	Location	Default	New
Zone Pulse Count	0296	0		Zone Pulse Count	0303	0	
Zone Pulse Count Time	0297	0		Zone Pulse Count Time	0304	0	
Zone Options 1	0298	1		Zone Options 1	0305	1	
Zone Options 2	0299	14		Zone Options 2	0306	14	
Reserved	0300			Reserved	0307		
Zone Report Options	0301	1		Zone Report Options	0308	1	
Zone #07				Zone #08			
Zone Type	0309	0		Zone Type	0316	9	
Zone Pulse Count	0310	0		Zone Pulse Count	0317	0	
Zone Pulse Count Time	0311	0		Zone Pulse Count Time	0318	0	
Zone Options 1	0312	1		Zone Options 1	0319	1	
Zone Options 2	0313	14		Zone Options 2	0320	12	
Reserved	0314			Reserved	0321		
Zone Report Options	0315	1		Zone Report Options	0322	1	
Zone #09				Zone #10			
Zone Type	0323	15		Zone Type	0330	15	
Zone Pulse Count	0324	0		Zone Pulse Count	0331	0	
Zone Pulse Count Time	0325	0		Zone Pulse Count Time	0332	0	
Zone Options 1	0326	1		Zone Options 1	0333	1	
Zone Options 2	0327	14		Zone Options 2	0334	14	
Reserved	0328			Reserved	0335		
Zone Report Options	0329	1		Zone Report Options	0336	1	
Zone #11				Zone #12			
Zone Type	0337	15		Zone Type	0344	15	
Zone Pulse Count	0338	0		Zone Pulse Count	0345	0	
Zone Pulse Count Time	0339	0		Zone Pulse Count Time	0346	0	
Zone Options 1	0340	1		Zone Options 1	0347	1	
Zone Options 2	0341	14		Zone Options 2	0348	14	
Reserved	0342			Reserved	0349		
Zone Report Options	0343	1		Zone Report Options	0350	1	
Zone #13				Zone #14			
Zone Type	0351	15		Zone Type	0358	15	
Zone Pulse Count	0352	0		Zone Pulse Count	0359	0	

Item	Location	Default	New	Item	Location	Default	New
Zone Pulse Count Time	0353	0		Zone Pulse Count Time	0360	0	
Zone Options 1	0354	1		Zone Options 1	0361	1	
Zone Options 2	0355	14		Zone Options 2	0362	14	
Reserved	0356			Reserved	0363		
Zone Report Options	0357	1		Zone Report Options	0364	1	
Zone #15				Zone #16			
Zone Type	0365	15		Zone Type	0372	15	
Zone Pulse Count	0366	0		Zone Pulse Count	0373	0	
Zone Pulse Count Time	0367	0		Zone Pulse Count Time	0374	0	
Zone Options 1	0368	1		Zone Options 1	0375	1	
Zone Options 2	0369	14		Zone Options 2	0376	14	
Reserved	0370			Reserved	0377		
Zone Report Options	0371	1		Zone Report Options	0378	1	

Item	Location	Default	New	Item	Location	Default	New
Zone 1 Source	0754	0		Zone 2 Source	0755	0	
Zone 3 Source	0756	0		Zone 4 Source	0757	0	
Zone 5 Source	0758	0		Zone 6 Source	0759	0	
Zone 7 Source	0760	0		Zone 8 Source	0761	0	
Zone 9 Source	0762	0		Zone 10 Source	0763	0	
Zone 11 Source	0764	0		Zone 12 Source	0765	0	
Zone 13 Source	0766	0		Zone 14 Source	0767	0	
Zone 15 Source	0768	0		Zone 16 Source	0769	0	

For zone item options, refer to below *Zone Item Options*.

Item	Option
Zone Type	0 = Instant 1 = Handover 2 = Delay-1 3 = Delay-2 4 = Reserved 5 = Reserved 6 = 24-Hour Medical 7 = 24-Hour Panic 8 = 24-Hour Hold-up 9 = 24-Hour Tamper 10 = Reserved 11 = Keypad 12 = 24-Hour Burglary 13 = 24-Hour Fire 14 = Chime Only 15 = Not used
Zone Pulse Count	Use the pulse count to program how many pulses (0 to 15) need to be registered within the pulse count time to activate an alarm.
Zone Pulse Count Time	20 ms Loop Response Time 150 ms Loop Response Time

Item	Option																
	<table border="0"> <tr> <td>0 = 0.5 sec.</td> <td>8 = 20 sec.</td> </tr> <tr> <td>1 = 1 sec.</td> <td>9 = 30 sec.</td> </tr> <tr> <td>2 = 2 sec.</td> <td>10 = 40 sec.</td> </tr> <tr> <td>3 = 3 sec.</td> <td>11 = 50 sec.</td> </tr> <tr> <td>4 = 4 sec.</td> <td>12 = 60 sec.</td> </tr> <tr> <td>5 = 5 sec.</td> <td>13 = 90 sec.</td> </tr> <tr> <td>6 = 10 sec.</td> <td>14 = 120 sec.</td> </tr> <tr> <td>7 = 15 sec.</td> <td>15 = 200 sec.</td> </tr> </table>	0 = 0.5 sec.	8 = 20 sec.	1 = 1 sec.	9 = 30 sec.	2 = 2 sec.	10 = 40 sec.	3 = 3 sec.	11 = 50 sec.	4 = 4 sec.	12 = 60 sec.	5 = 5 sec.	13 = 90 sec.	6 = 10 sec.	14 = 120 sec.	7 = 15 sec.	15 = 200 sec.
0 = 0.5 sec.	8 = 20 sec.																
1 = 1 sec.	9 = 30 sec.																
2 = 2 sec.	10 = 40 sec.																
3 = 3 sec.	11 = 50 sec.																
4 = 4 sec.	12 = 60 sec.																
5 = 5 sec.	13 = 90 sec.																
6 = 10 sec.	14 = 120 sec.																
7 = 15 sec.	15 = 200 sec.																
Zone Options 1	1 = Lockout siren/report 2 = Delay alarm report 4 = Silent alarm 8 = Sensor watch																
Zone Options 2	1 = Isolated in STAY Mode 1 2 = Zone isolation allowed 4 = Forced arming allowed 8 = Zone Restore Report allowed																
Zone Report Options	0 = No zone reports allowed 1 = Report to Receiver 1 2 = Report to Receiver 2 3 = Report to Receiver 3 4 = Report to Receiver 4 5 = Report to Receiver 1,2,3,4 6 = Report to Receiver 1 (2,3,4 backup) 7 = Report to Receiver 1 (2 backup) and Receiver 3 (4 backup)																
Keyswitch Zone Options	0 = Latching arm and disarm in AWAY Mode 1 = Latching arm in AWAY Mode 2 = Latching disarm from AWAY Mode or STAY Mode 4 = Latching arm and disarm in STAY Mode 1 5 = Latching arm in STAY Mode 1 6 = Latching disarm from STAY Mode 8 = Momentary arm and disarm in AWAY Mode 9 = Momentary arm in AWAY Mode 10 = Momentary disarm from AWAY Mode or STAY Mode 12 = Momentary arm and disarm in STAY Mode 1 13 = Momentary arm in STAY Mode 1 14 = Momentary disarm from STAY Mode																
Zone Source	0 = Onboard 1 = RF 2 = B228																

Table 4.14: Zone Item Options

The keyswitch zone options replace Zone Options 1 only for the zones that were programmed to operate as a keyswitch zone.



Notice!

Solution 2000 supports onboard inputs only.

4.7 Swinger Programming

4.7.1 Swinger Shutdown Count For Siren

Item	Location	Option	Default	New
Swinger Shutdown Count For Siren	0379	1 – 15 = Number of times siren operates until lockout	3	

4.7.2 Swinger Shutdown Count For Report

Item	Location	Option	Default	New
Swinger Shutdown Count For Report	0380	1 – 15 = Number of times report operates until lockout	6	

4.8 Zone Status Programming

4.8.1 STAY Mode 2 Automatically Bypass Zones

Item	Location	Option	Default	New	
STAY Mode 2 Automatically Bypass Zones	0381	1 = Zone 1 2 = Zone 2	4 = Zone 3 8 = Zone 4	0	
	0382	1 = Zone 5 2 = Zone 6	4 = Zone 7 8 = Zone 8	0	
	0383	1 = Zone 9 2 = Zone 10	4 = Zone 11 8 = Zone 12	0	
	0384	1 = Zone 13 2 = Zone 14	4 = Zone 15 8 = Zone 16	0	



Notice!

Solution 2000 supports zone 1 – 8 only.

4.8.2 Zone Status Reporting Options

Item	Location	Option	Default	New
Zone Status Reporting Options	0392	0 = No Zone status reports allowed 1 = Report to Receiver 1 2 = Report to Receiver 2 3 = Report to Receiver 3 4 = Report to Receiver 4 5 = Report to Receiver 1,2,3,4 6 = Report to Receiver 1 (2,3,4 backup) 7 = Report to Receiver 1 (2 backup) and Receiver 3 (4 backup)	1	

4.9 RF Programming

4.9.1 RF Supervision Time

Item	Location	Option	Default	New
RF Supervision Time (Only for Solution 3000)	0393	0 = Disable 2 = 2 hours 3 = 4 hours 4 = 12 hours 5 = 24 hours 6 = 48 hours 7 = 72 hours	0	

4.9.2 RADION Anti-Jamming Sensitivity

Item	Location	Option	Default	New
RADION Anti-Jamming Sensitivity (Only for Solution 3000)	0394	0 = Most Sensitive 15 = Least Sensitive	12	

4.9.3 RF Receiver

Item	Location	Option	Default	New
RF Receiver	0395	0 = Not used 1 = Use RADION receiver B810 2 = Use WE800EV2	0	

4.9.4 RF Options

Item	Location	Option	Default	New
RF Options (Only for Solution 3000)	0396	1 = Siren Sound On RF Receiver Fail 2 = RF Receiver Jam/Tamper Siren Alarm 4 = Unseal Zone That Fail Monitor	0	

4.10 Report Programming

4.10.1 Arm / Disarm Reporting Options

Item	Location	Option	Default	New
Arm / Disarm Reporting Options	0403	0 = No Arm / Disarm Reports allowed 1 = Report to Receiver 1 2 = Report to Receiver 2 3 = Report to Receiver 3 4 = Report to Receiver 4 5 = Report to Receiver 1,2,3,4 6 = Report to Receiver 1 (2,3,4 backup) 7 = Report to Receiver 1 (2 backup) and Receiver 3 (4 backup)	1	

4.10.2 Codepad Reporting Options

Item	Location	Option	Default	New
Codepad Reporting Options	0411	0 = No Codepad Alarm Reports allowed 1 = Report to Receiver 1 2 = Report to Receiver 2 3 = Report to Receiver 3 4 = Report to Receiver 4 5 = Report to Receiver 1,2,3,4 6 = Report to Receiver 1 (2,3,4 backup) 7 = Report to Receiver 1 (2 backup) and Receiver 3 (4 backup)	1	

4.11 System Status Programming

4.11.1 Access Denied(Code Retry)

Item	Location	Option	Default	New
Code retry limit	0424	0 = Unlimited 1 – 15 = Error code attempts	6	

4.11.2 System Status Reporting Options

Item	Location	Option	Default	New
System Status Reporting Options	0427	0 = No report required 1 = Report to Receiver 1 2 = Report to Receiver 2 3 = Report to Receiver 3 4 = Report to Receiver 4 5 = Report to Receiver 1,2,3,4 6 = Report to Receiver 1 (2,3,4 backup) 7 = Report to Receiver 1 (2 backup) and Receiver 3 (4 backup)	1	

4.12 Test Report Programming

4.12.1 Test Report Time (Automatic)

Item	Location	Option	Default	New
Hour of day (tens digit)	0428		0	
Hour of day (units digit)	0429		0	
Minute of day (tens digit)	0430		0	
Minute of day (units digit)	0431		0	
Repeat interval in days	0434	0 = Disable 1 – 15 = 1 – 15 days	0	

4.12.2 Test Reporting Options

Item	Location	Option	Default	New
Test Reporting Options	0435	0 = No report required 1 = Report to Receiver 1 2 = Report to Receiver 2 3 = Report to Receiver 3 4 = Report to Receiver 4 5 = Report to Receiver 1,2,3,4 6 = Report to Receiver 1 (2,3,4 backup) 7 = Report to Receiver 1 (2 backup) and Receiver 3 (4 backup)	1	

4.13 Output Programming

Item	Location	Default	New	Item	Location	Default	New
Output 1 (Default = Horn Speaker)				Output 2 (Default = Fire Alarm With Verification)			
Event Code	0436	1		Event Code	0442	2	
Event Code	0437	14		Event Code	0443	7	
Polarity	0438	0		Polarity	0444	10	
Time Base	0439	0		Time Base	0445	2	
Time Base Multiplier	0440	0		Time Base Multiplier	0446	1	
Time Base Multiplier	0441	0		Time Base Multiplier	0447	5	
Output 3 (Default = Strobe - Reset After 8 hrs.)				Relay Output (Default = Sirens Running)			
Event Code	0448	2		Event Code	0454	1	
Event Code	0449	0		Event Code	0455	15	
Polarity	0450	6		Polarity	0456	1	
Time Base	0451	4		Time Base	0457	0	
Time Base Multiplier	0452	0		Time Base Multiplier	0458	0	
Time Base Multiplier	0453	8		Time Base Multiplier	0459	0	
Codepad Buzzer (Default = Entry/Exit Warning and Day Alarm)							
Event Code	0460	0					
Event Code	0461	13					
Polarity	0462	2					
Time Base	0463	1					
Time Base Multiplier	0464	0					
Time Base Multiplier	0465	9					

Item	Location	Default	New	Item	Location	Default	New
B308 Output 1				B308 Output 2			
Event Code	0646	0		Event Code	0652	0	
Event Code	0647	0		Event Code	0653	0	
Polarity	0648	0		Polarity	0654	0	
Time Base	0649	0		Time Base	0655	0	
Time Base Multiplier	0650	0		Time Base Multiplier	0656	0	
Time Base Multiplier	0651	0		Time Base Multiplier	0657	0	
B308 Output 3				B308 Output 4			
Event Code	0658	0		Event Code	0664	0	
Event Code	0659	0		Event Code	0665	0	
Polarity	0660	0		Polarity	0666	0	
Time Base	0661	0		Time Base	0667	0	
Time Base Multiplier	0662	0		Time Base Multiplier	0668	0	
Time Base Multiplier	0663	0		Time Base Multiplier	0669	0	
B308 Output 5				B308 Output 6			
Event Code	0670	0		Event Code	0676	0	
Event Code	0671	0		Event Code	0677	0	
Polarity	0672	0		Polarity	0678	0	
Time Base	0673	0		Time Base	0679	0	
Time Base Multiplier	0674	0		Time Base Multiplier	0680	0	
Time Base Multiplier	0675	0		Time Base Multiplier	0681	0	
B308 Output 7				B308 Output 8			
Event Code	0682	0		Event Code	0688	0	
Event Code	0683	0		Event Code	0689	0	
Polarity	0684	0		Polarity	0690	0	
Time Base	0685	0		Time Base	0691	0	
Time Base Multiplier	0686	0		Time Base Multiplier	0692	0	
Time Base Multiplier	0687	0		Time Base Multiplier	0693	0	

Item	Location	Default	New	Item	Location	Default	New
B308 Output 9				B308 Output 10			
Event Code	0694	0		Event Code	0700	0	
Event Code	0695	0		Event Code	0701	0	
Polarity	0696	0		Polarity	0702	0	
Time Base	0697	0		Time Base	0703	0	
Time Base Multiplier	0698	0		Time Base Multiplier	0704	0	
Time Base Multiplier	0699	0		Time Base Multiplier	0705	0	
B308 Output 11				B308 Output 12			
Event Code	0706	0		Event Code	0712	0	
Event Code	0707	0		Event Code	0713	0	
Polarity	0708	0		Polarity	0714	0	
Time Base	0709	0		Time Base	0715	0	
Time Base Multiplier	0710	0		Time Base Multiplier	0716	0	
Time Base Multiplier	0711	0		Time Base Multiplier	0717	0	
B308 Output 13				B308 Output 14			
Event Code	0718	0		Event Code	0724	0	
Event Code	0719	0		Event Code	0725	0	
Polarity	0720	0		Polarity	0726	0	
Time Base	0721	0		Time Base	0727	0	
Time Base Multiplier	0722	0		Time Base Multiplier	0728	0	
Time Base Multiplier	0723	0		Time Base Multiplier	0729	0	
B308 Output 15				B308 Output 16			
Event Code	0730	0		Event Code	0736	0	
Event Code	0731	0		Event Code	0737	0	
Polarity	0732	0		Polarity	0738	0	
Time Base	0733	0		Time Base	0739	0	
Time Base Multiplier	0734	0		Time Base Multiplier	0740	0	
Time Base Multiplier	0735	0		Time Base Multiplier	0741	0	
Item	Location	Default	New	Item	Location	Default	New
B228 Output 1				B228 Output 2			
Output Mode	0770	0		Output Mode	0771	0	
Event Code	0742	0		Event Code	0748	0	
Event Code	0743	0		Event Code	0749	0	

Item	Location	Default	New	Item	Location	Default	New
Polarity	0744	0		Polarity	0750	0	
Time Base	0745	0		Time Base	0751	0	
Time Base Multiplier	0746	0		Time Base Multiplier	0752	0	
Time Base Multiplier	0747	0		Time Base Multiplier	0753	0	

For output item options, refer to below *Output Item Options*.

Item	Option	
B228 Output Mode	0 = Not used 1 = Aux power	2 = Switched negative 4 = Open collector
Event Code	0 0 = Reserved 0 1 = System armed 0 2 = System disarmed 0 3 = Armed in STAY mode 0 4 = Armed in AWAY mode 0 5 = Pre-arming alert 0 6 = Exit Warning (all zones sealed) and entry warning 0 7 = Exit Warning 0 8 = Exit Warning finished 0 9 = Kiss-off after end of Exit Time 0 10 = Reserved 0 11 = Entry warning 0 12 = Entry warning and day alarm resetting 0 13 = Exit warning and entry warning and day alarm resetting 0 14 = Day alarm resetting 0 15 = Day alarm latching	1 0 = Day alarm enabled 1 1 = Telephone line fail 1 2 = Kiss-off received 1 3 = AUX Power Supply fail 1 4 = AC fail 1 5 = Low battery 1 6 = Output 1 fail 1 7 = Sensor watch alarm 1 8 = Codepad medical alarm 1 9 = Codepad fire alarm 1 10 = Codepad panic alarm 1 11 = Codepad duress alarm 1 12 = Access denied (code retries) 1 13 = Reserved 1 14 = Horn speaker (output 1 only) 1 15 = Siren running
Event Code	2 0 = Strobe 2 1 = Silent alarm 2 2 = Alarm in STAY mode 2 3 = Alarm in AWAY mode 2 4 = System fault 2 5 = Fire alarm (resetting) 2 6 = Fire alarm (latching) 2 7 = Fire alarm (verification) 2 8 = Remote control 1 2 9 = Remote control 2 2 10 = Remote control 3 2 11 = Radio control output 1 2 12 = Radio control output 2 2 13 = Radio control output 1- not in AWAY Mode 2 14 = Radio control output 2- not in AWAY Mode 2 15 = Communications fail after 3 attempts	3 0 = Communications fail 3 1 = Report disabled 3 2 = Report active (on-line) 3 3 = Ring detect 3 4 = Codepad/Keyfob panic 3 5 = Mimic zone 1 3 6 = Mimic zone 2 3 7 = Mimic zone 3 3 8 = Mimic zone 4 3 9 = Mimic zone 5 3 10 = Mimic zone 6 3 11 = Mimic zone 7 3 12 = Mimic zone 8 3 13 = Mimic zone 9 3 14 = Mimic zone 10 3 15 = Mimic zone 11

Item	Option	
Event Code	4 0 = Mimic zone 12 4 1 = Mimic zone 13 4 2 = Mimic zone 14 4 3 = Mimic zone 15 4 4 = Mimic zone 16 4 5 = Chime 4 6 = Zone not sealed 4 7 = Zone not sealed after Exit Time 4 8 = Reserved 4 9 = AC MAINS cycle (60 Hz or 50 Hz) 4 10 = Area 1 – zone unsealed 4 11 = Area 2 – zone unsealed 4 12 = Reserved 4 13 = Reserved 4 14 = Reserved 4 15 = Reserved	5 0 = Reserved 5 1 = Reserved 5 2 = Area 1 in alarm 5 3 = Area 2 in alarm 5 4 = Reserved 5 5 = Reserved 5 6 = Area 1 armed 5 7 = Area 2 armed 5 8 = Reserved 5 9 = Reserved 5 10 = Area 1 disarmed 5 11 = Area 2 disarmed 5 12 = Reserved 5 13 = Reserved 5 14 = Any areas armed 5 15 = Any areas disarmed
Event Code	6 0 = Reserved 6 1 = Reserved 6 2 = Remote control 4 6 3 = Remote control 5 6 4 = Remote control 6 6 5 = Remote control 7 6 6 = Remote control 8 6 7 = Remote control 9 6 8 = Remote control 10 6 9 = Remote control 11 6 10 = Remote control 12	6 11 = Remote control 13 6 12 = Remote control 14 6 13 = Remote control 15 6 14 = Remote control 16 6 15 = Remote control 17 7 0 = Remote control 18 7 1 = Remote control 19 7 2 = Remote control 20 7 3 = Remote control 21 7 4 = Remote control 22
Polarity (Modes)	0 = Output not used 1 = Normally open, going low 2 = Normally open, pulsing low 3 = Normally open, one shot low 4 = Normally open, one shot low (reactivate) 5 = Normally open, one shot low (can reset) 6 = Normally open, one shot low (alarm) 7 = Normally open, latching low	8 = Normally low, going open 9 = Normally low, pulsing open 10 = Normally low, one shot open 11 = Normally low, one shot open (reactivate) 12 = Normally low, one shot open (can reset) 13 = Normally low, one shot open (alarm) 14 = Normally low, latching open
Time Base	0 = Reserved 1 = 200 ms 2 = 1 sec.	3 = 1 min. 4 = 1 hr.
Time Base Multiplier	Enter a value between 00 and 99.	

Table 4.15: Output Item Options

*** One Shot Mode**

When you program the output polarity as one shot, the time base is multiplied by the time base multiplier. (For example, if the time base = 2 and the multiplier = 05, the output operates for 5 sec.)

***Pulsing Mode**

When you program the output polarity as pulsing, the time base becomes the ON time and the multiplier becomes the OFF time. The OFF time is the time base x the multiplier. (For example, if you want the output to pulse 1 sec. ON and 5 sec. OFF, you would program time base as 2 and the multiplier as 05.)

**Notice!**

When event code Remote control 1 – 20 is selected, polarity mode shall be programmed as time-independent option (including 1 = Normally open, going low, or 7, or 8, and 14).

4.14 Time Programming

4.14.1 Entry Time 1

Item	Location	Option	Default	New
Increments of 1 sec. (0 to 15 sec.)	0466		4	
Increments of 16 sec. (0 to 240 sec.)	0467		1	

4.14.2 Entry Time 2

Item	Location	Option	Default	New
Increments of 1 sec. (0 to 15 sec.)	0468		8	
Increments of 16 sec. (0 to 240 sec.)	0469		2	

4.14.3 Exit Time (AWAY/STAY Modes)

Item	Location	Option	Default	New
Increments of 1 sec. (0 to 15 sec.)	0470		12	
Increments of 16 sec. (0 to 240 sec.)	0471		3	

4.14.4 Entry Guard Time For STAY Mode

Item	Location	Option	Default	New
Increments of 1 sec. (0 to 15 sec.)	0472		0	
Increments of 16sec. (0 to 240 sec.)	0473		0	

4.14.5 Delay Alarm Report Time

Item	Location	Option	Default	New
Increments of 1 sec. (0 to 15 sec.)	0474		0	
Increments of 16 sec. (0 to 240 sec.)	0475		0	

4.14.6 Sensor Watch Time

Item	Location	Option	Default	New
Increments of days (tens digit)	0476		0	
Increments of days (units digit)	0477		0	

4.14.7 Codepad Lockout Time

Item	Location	Option	Default	New
Codepad Lockout Time	0478	0 = No lockout 1 – 15 = Lockout time 10 – 150 sec. (Increments of 10 sec.)	0	

4.14.8 Siren Run Time

Item	Location	Option	Default	New
Siren Run Time	0479	0 = No Siren time 1 – 15 = Siren time 1 – 15 min. (increments of 1 min.)	5	

4.14.9 Siren Sound Rate

Item	Location	Option	Default	New
Siren Sound Rate	0480	0 = Slowest frequency 15 = Fastest frequency	7	

4.14.10 Auto Arming Pre-Alert Time

Item	Location	Option	Default	New
Auto Arming Pre-Alert Time	0481	0 = No alert time 1 – 15 = Alert time 5 – 75 min. (increments of 5 min.)	1	

4.14.11 Auto Arming Time

Item	Location	Option	Default	New
Hour of the day (tens digit)	0482		0	
Hour of the day (units digit)	0483		0	
Minute of the day (tens digit)	0484		0	
Minute of the day (units digit)	0485		0	

4.14.12 Auto Disarming Time

Item	Location	Option	Default	New
Hour of the day (tens digit)	0486		0	
Hour of the day (units digit)	0487		0	
Minute of the day (tens digit)	0488		0	
Minute of the day (units digit)	0489		0	

4.14.13 Kiss-Off Wait Time

Item	Location	Option	Default	New
Increments of 500 ms (500 ms to 8 sec.)	0490		3	

4.14.14 Speaker Beep Volume

Item	Location	Option	Default	New
Speaker Beep Volume	0491	0 = No Beeps 15 = Loudest Beeps	13	

4.15 Options Programming

4.15.1 System Options 1

Item	Location	Option	Default	New
System Options 1	0492	1 = Bosch Security Systems smart lockout allowed 2 = Warning device fault monitor 4 = Strobe indication for radio arm/disarm 8 = Assign button 4 on keyfob to operate STAY Mode 1	1	



Notice!

Option 2 is available only when the warning device (such as horn speaker) is connected to any of the output 1 – 3.

4.15.2 System Options 2

Item	Location	Option	Default	New
System Options 2	0493	1 = Codepad panic to be silent 2 = Codepad fire to be silent 4 = Codepad medical to be silent 8 = Access denied (code retries) to be silent	0	

4.15.3 System Options 3

Item	Location	Option	Default	New
System Options 3	0494	1 = AC fail after 1 hr. (Disabled = after 2 min.) 2 = Ignore AC fail 4 = Pulse count handover allowed 8 = Handover delay to be sequential	8	

4.15.4 System Options 4

Item	Location	Option	Default	New
System Options 4	0495	1 = Panel to power up disarmed (if power reset) 2 = Arm/disarm tracking on power up 4 = Onboard tamper trigger alarm 8 = Reserved	6	

4.15.5 System Options 5

Item	Location	Option	Default	New
System Options 5	0110	1 = Domestic Dial Fail to Report 2 = Installer Arm/Disarm Function 4 = Reserved 8 = Reserved	0	

4.15.6 Consumer Options 1

Item	Location	Option	Default	New
Consumer Options 1	0496	1 = Test reports only when armed 2 = Test report after siren reset 4 = Auto arm in STAY Mode 1 8 = STAY indicator to display day alarm status	0	

4.15.7 Consumer Options 2

Item	Location	Option	Default	New
Consumer Options 2	0497	1 = Codepad displays extinguish after 60 sec. 2 = Single button arming allowed (AWAY/STAY Modes 1 and 2) 4 = Single button disarming allowed (STAY Modes 1 and 2) 8 = Alarm memory reset on disarm	2	

4.15.8 Consumer Options 3

Item	Location	Option	Default	New
Consumer Options 3	0498	1 = Codepad fault beeps allowed 2 = Use digit 3 for codepad duress alarm (instead of digit 9) 4 = Alarms activate sirens and strobe outputs in STAY Modes 1 and 2 8 = Zone tamper alarms to be silent	5	

4.15.9 Partitioning Options 1

Item	Location	Option	Default	New
Partitioning Options 1	0500	1 = First to Disarm/Last to Arm reporting 2 = Reserved 4 = Reset sirens from any area allowed 8 = Reserved	0	

4.15.10 Partitioning Options 2

Item	Location	Option	Default	New
Partitioning Options 2	0501	1 = Reserved 2 = User codes allowed to arm/disarm both areas at same time (Code [0][#]) 4 = Reserved 8 = Reserved	0	

4.16 Partition Allocations

4.16.1 Zone Area Assignment

Item	Location	Default	New	Item	Location	Default	New
Zone 1 Area	0502	1		Zone 2 Area	0503	1	
Zone 3 Area	0504	1		Zone 4 Area	0505	1	
Zone 5 Area	0506	1		Zone 6 Area	0507	1	
Zone 7 Area	0508	1		Zone 8 Area	0509	1	
Zone 9 Area	0510	1		Zone 10 Area	0511	1	
Zone 11 Area	0512	1		Zone 12 Area	0513	1	
Zone 13 Area	0514	1		Zone 14 Area	0515	1	
Zone 15 Area	0516	1		Zone 16 Area	0517	1	
Option							
0 = Zone area not assigned 1 = Zone assigned to Area 1				2 = Zone assigned to Area 2 3 = Zone assigned to both Area 1 and Area 2			



Notice!

Solution 2000 supports zone 1 - 8 only.

4.16.2 Codepad Assignment

Item	Location	Default	New	Item	Location	Default	New
Codepad 1 Area	0518	1		Codepad 2 Area	0519	0	
Codepad 3 Area	0520	0		Codepad 4 Area	0521	0	
Option							
0 = Codepad area not assigned 1 = Codepad assigned to Area 1				2 = Codepad assigned to Area 2 3 = Codepad assigned to both Area 1 and Area 2			

4.16.3 User Code Area Assignment

Item	Location	Default	New	Item	Location	Default	New
User Code 1	0534	1		User Code 2	0535	1	
User Code 3	0536	1		User Code 4	0537	1	
User Code 5	0538	1		User Code 6	0539	1	
User Code 7	0540	1		User Code 8	0541	1	
User Code 9	0542	1		User Code 10	0543	1	
User Code 11	0544	1		User Code 12	0545	1	
User Code 13	0546	1		User Code 14	0547	1	
User Code 15	0548	1		User Code 16	0549	1	
User Code 17	0550	1		User Code 18	0551	1	
User Code 19	0552	1		User Code 20	0553	1	
User Code 21	0554	1		User Code 22	0555	1	
User Code 23	0556	1		User Code 24	0557	1	
User Code 25	0558	1		User Code 26	0559	1	
User Code 27	0560	1		User Code 28	0561	1	
User Code 29	0562	1		User Code 30	0563	1	
User Code 31	0564	1		User Code 32	0565	1	
Option							
0 = User code not assigned 1 = User code assigned to Area 1				2 = User code assigned to Area 2 3 = User code assigned to both Area 1 and Area 2			

4.17 Default Options

Item	Location	Option	Default	New
Button Default Options	0900	0 = Button Factory Default Enable 15 = Button Factory Default Disabled	0	

4.18 RFID Programming

4.18.1 Keyfob RFID

Item	Location	Default	New	Item	Location	Default	New
Keyfob #01	1500 - 1507	0		Keyfob #02	1510 - 1517	0	
Keyfob #03	1520 - 1527	0		Keyfob #04	1530 - 1537	0	
Keyfob #05	1540 - 1547	0		Keyfob #06	1550 - 1557	0	
Keyfob #07	1560 - 1567	0		Keyfob #08	1570 - 1577	0	
Keyfob #09	1580 - 1587	0		Keyfob #10	1590 - 1597	0	
Keyfob #11	1600 - 1607	0		Keyfob #12	1610 - 1617	0	
Keyfob #13	1620 - 1627	0		Keyfob #14	1630 - 1637	0	
Keyfob #15	1640 - 1647	0		Keyfob #16	1650 - 1657	0	
Keyfob #17	1660 - 1667	0		Keyfob #18	1670 - 1677	0	
Keyfob #19	1680 - 1687	0		Keyfob #20	1690 - 1697	0	
Keyfob #21	1700 - 1707	0		Keyfob #22	1710 - 1717	0	
Keyfob #23	1720 - 1727	0		Keyfob #24	1730 - 1737	0	
Keyfob #25	1740 - 1747	0		Keyfob #26	1750 - 1757	0	
Keyfob #27	1760 - 1767	0		Keyfob #28	1770 - 1777	0	
Keyfob #29	1780 - 1787	0		Keyfob #30	1790 - 1797	0	
Keyfob #31	1800 - 1807	0		Keyfob #32	1810 - 1817	0	

4.18.2 Zone/Device RFID and RF Zone Option

Item	Location	Default	New	RF Zone Option Location	Default	New
RF Zone #01	1820 - 1827	0		1828	0	
RF Zone #02	1830 - 1837	0		1838	0	
RF Zone #03	1840 - 1847	0		1848	0	
RF Zone #04	1850 - 1857	0		1858	0	
RF Zone #05	1860 - 1867	0		1868	0	
RF Zone #06	1870 - 1877	0		1878	0	
RF Zone #07	1880 - 1887	0		1888	0	
RF Zone #08	1890 - 1897	0		1898	0	
RF Zone #09	1900 - 1907	0		1908	0	
RF Zone #10	1910 - 1917	0		1918	0	
RF Zone #11	1920 - 1927	0		1928	0	
RF Zone #12	1930 - 1937	0		1938	0	
RF Zone #13	1940 - 1947	0		1948	0	
RF Zone #14	1950 - 1957	0		1958	0	
RF Zone #15	1960 - 1967	0		1968	0	
RF Zone #16	1970 - 1977	0		1978	0	

Item	Option		
RF Zone Option	0 = All Used	1 = Input 1 2 = Input 2	4 = Input 3 8 = Input 4

Table 4.16: RF Zone Options



Notice!

Only Solution 3000 supports zone/device RFID and repeater RFID.

4.18.3 Repeater RFID

Item	Location	Default	New	Item	Location	Default	New
Repeater #01	1980 - 1987	0		Repeater #02	1990 - 1997	0	
Repeater #03	2000 - 2007	0		Repeater #04	2010 - 2017	0	
Repeater #05	2020 - 2027	0		Repeater #06	2030 - 2037	0	
Repeater #07	2040 - 2047	0		Repeater #08	2050 - 2057	0	

4.19 Alphanumeric Codepad Items



Notice!

Refer *Program IP items with A-Link Plus Software or Alphanumeric codepad, page 24* to enter letters and numbers with codepad IUI-SOL-TEXT.

4.19.1 Home Message

Item	Location	Default	New
Home Message	2500 - 2535	00000	

4.19.2 Zone Names

Item	Location	New	Item	Location	New
Zone 1 Name	2536 - 2559		Zone 9 Name	2728 - 2751	
Zone 2 Name	2560 - 2583		Zone 10 Name	2752 - 2775	
Zone 3 Name	2584 - 2607		Zone 11 Name	2776 - 2799	
Zone 4 Name	2608 - 2631		Zone 12 Name	2800 - 2823	
Zone 5 Name	2632 - 2655		Zone 13 Name	2824 - 2847	
Zone 6 Name	2656 - 2679		Zone 14 Name	2848 - 2871	
Zone 7 Name	2680 - 2703		Zone 15 Name	2872 - 2895	
Zone 8 Name	2704 - 2727		Zone 16 Name	2896 - 2919	

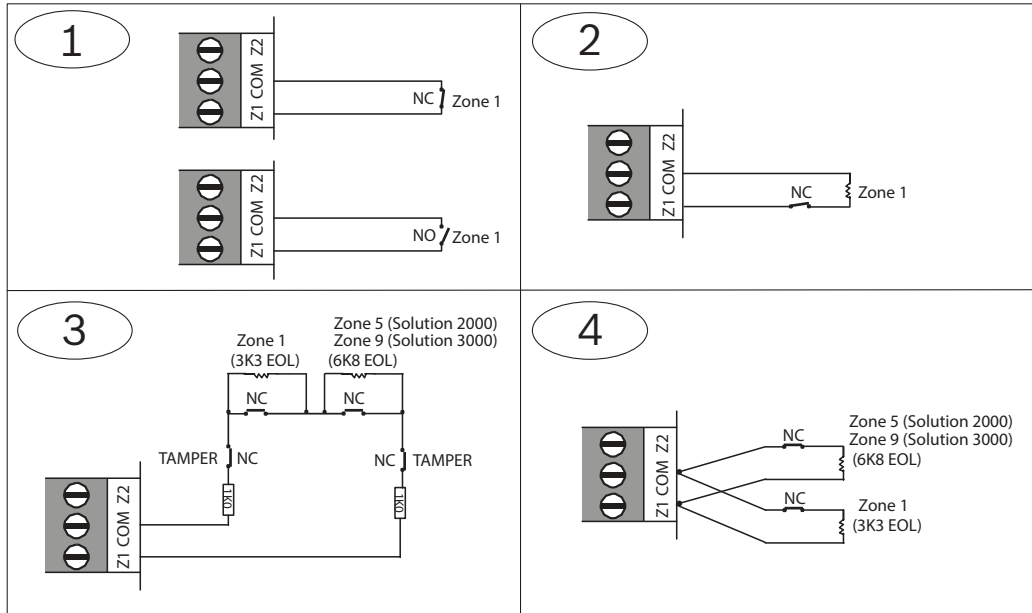
4.19.3 User Names

Item	Location	New	Item	Location	New
User 1 Name	2920 - 2943		User 17 Name	3304 - 3327	
User 2 Name	2944 - 2967		User 18 Name	3328 - 3351	
User 3 Name	2968 - 2991		User 19 Name	3352 - 3375	
User 4 Name	2992 - 3015		User 20 Name	3376 - 3399	
User 5 Name	3016 - 3039		User 21 Name	3400 - 3423	
User 6 Name	3040 - 3063		User 22 Name	3424 - 3447	
User 7 Name	3064 - 3087		User 23 Name	3448 - 3471	
User 8 Name	3088 - 3111		User 24 Name	3472 - 3495	
User 9 Name	3112 - 3135		User 25 Name	3496 - 3519	
User 10 Name	3136 - 3159		User 16 Name	3520 - 3543	
User 11 Name	3160 - 3183		User 27 Name	3544 - 3567	
User 12 Name	3184 - 3207		User 28 Name	3568 - 3591	
User 13 Name	3208 - 3231		User 29 Name	3592 - 3615	

Item	Location	New	Item	Location	New
User 14 Name	3232 - 3255		User 30 Name	3616 - 3639	
User 15 Name	3256 - 3279		User 31 Name	3640 - 3663	
User 16 Name	3280 - 3303		User 32 Name	3664 - 3687	

5 Appendices

5.1 Connections for EOL Resistors



Callout - Description
1 – Zone without resistor (Location 266 = 0 (No EOL), Location 266 = 12 (Normal open))
2 – Single Zone input (Location 266 = 1k, 1k5, 2k2, 3k3, 3k9, 4k7, 5k6, 6k8, 10k, 12k, 22k)
3 – Double Zone with tamper (Location 266 = 14 (Split EOL3K3 / 6K8 with tamper))
4 – Double Zone input (Location 266 = 15 (Split EOL 3k3 / 6k8))

5.2 Wiring Diagram

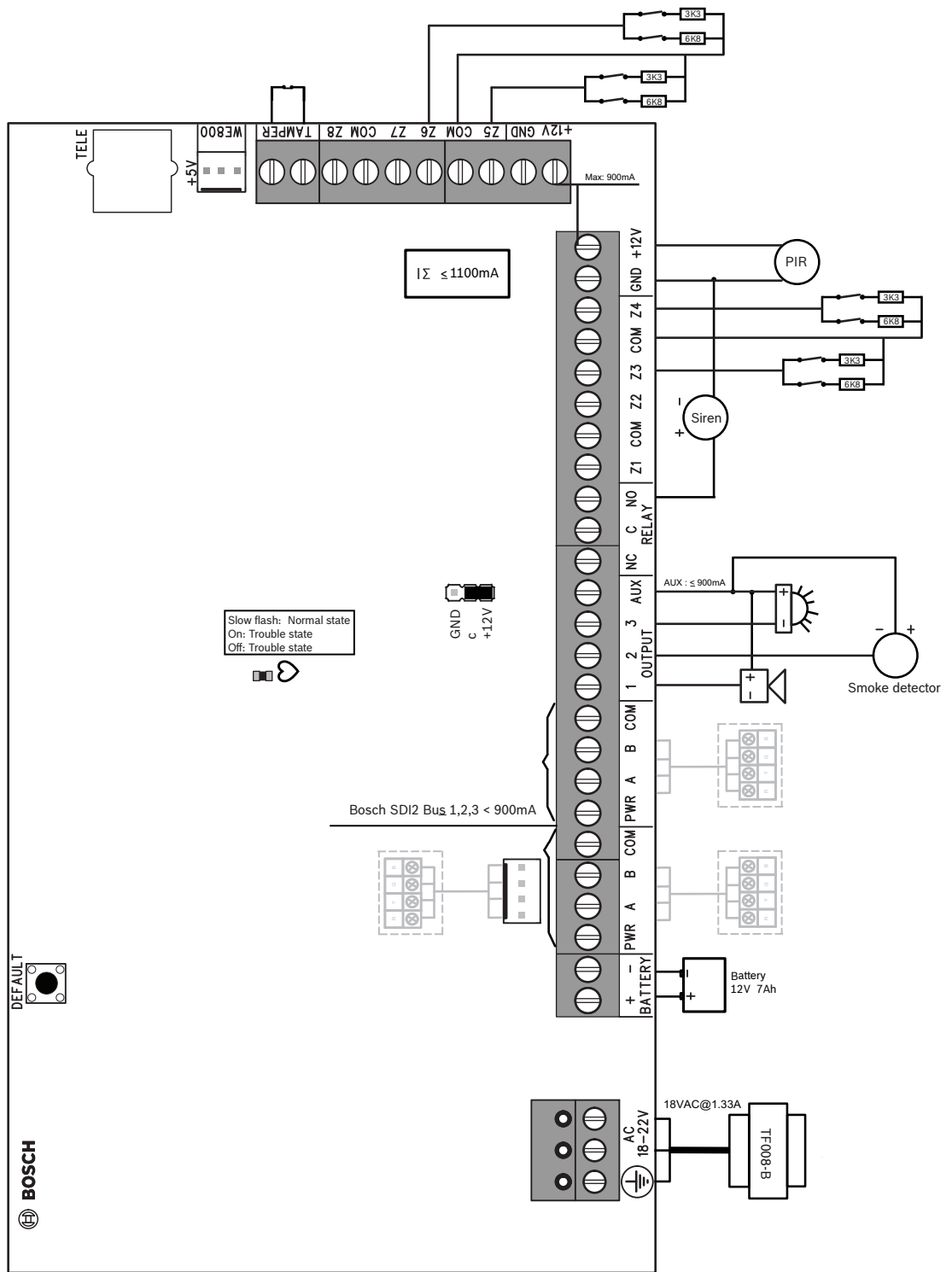


Figure 5.1: Wiring Diagram

5.3 Component Overlay

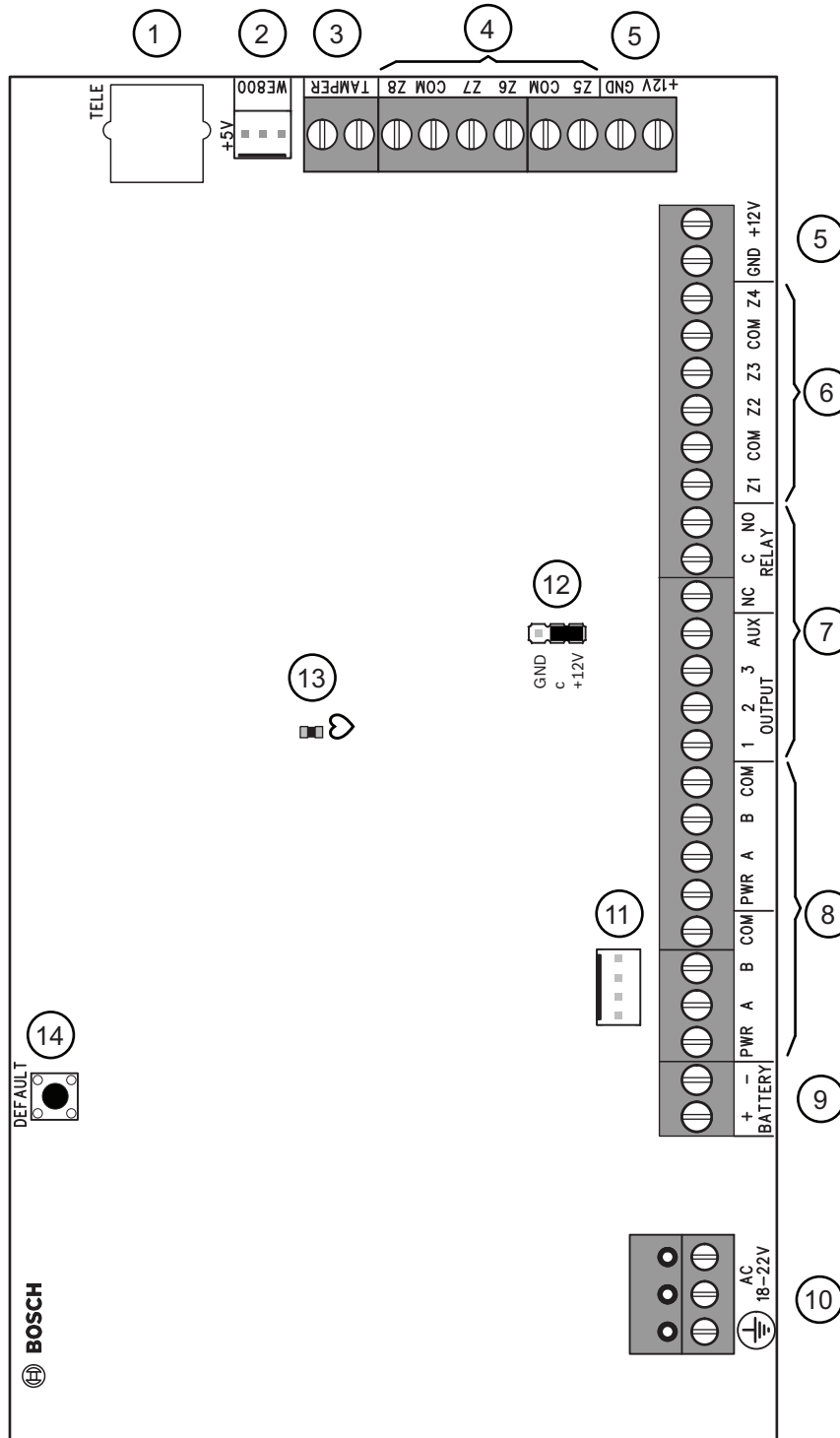


Figure 5.2: Component Overlay

Callout --Description	Callout --Description
1 – Socket for telecom lead connect	8 – Bosch SDI2 Bus
2 – Receiver interface connection	9 – Battery input
3 – Tamper switch	10 – Plug pack input (Bosch TF008)
4 – Zone 5-8 termination strip (Zone 5 – 8 and Zone 13 – 16 for Solution 3000)	11 - Bosch SDI2 Bus
5 – AUX power	12 – Relay contact select (Select output AUX as shown or output GND)
6 – Zone 1-4 termination strip (Zone 1 - 4 and Zone 5 – 8 for Solution 2000 ; Zone 1 – 4 and Zone 9 – 12 for Solution 3000)	13 – LED indicator
7 – Output termination strip	14 – Default button

Tab. 5.17: Callout description

5.4

Codepad Address Setting

DIP Switch Codepad Address	DIP Switch Number					
	1	2	3	4	5	6
1	On	Off	Off	Off	Off	On
2	Off	On	Off	Off	Off	On
3	On	On	Off	Off	Off	On
4	Off	Off	On	Off	Off	On

Tab. 5.18: Codepad DIP switch address setting

DIP switch address settings are only for IUI-SOL-TEXT or IUI-SOL-ICON codepad.

Bosch Security Systems, Inc.

130 Perinton Parkway
Fairport, NY 14450
USA

www.boschsecurity.com

© Bosch Security Systems, Inc., 2017

Bosch Sicherheitssysteme GmbH

Robert-Bosch-Ring 5
85630 Grasbrunn
Germany