

# ICP-MAP5000-K/2 MAP5000 kit

## Modular Alarm Platform 5000



This kit includes all relevant key components to build up a MAP5000 system with its basic structure.

It includes:

- 1 x MAP5000 panel
- 1 x MAP Touch keypad 5000
- 1 x MAP LSN Gateway
- 1 x MAP Interface module, DE
- 1 x MAP Power supply, 150W
- 1 x MAP Panel enclosure

Via the BDB (Bosch Data Bus) based on CAN (Controller Area Network) technology and modular approach, the system can be expanded and scaled by internal and external devices according to the individual requirements of each application.

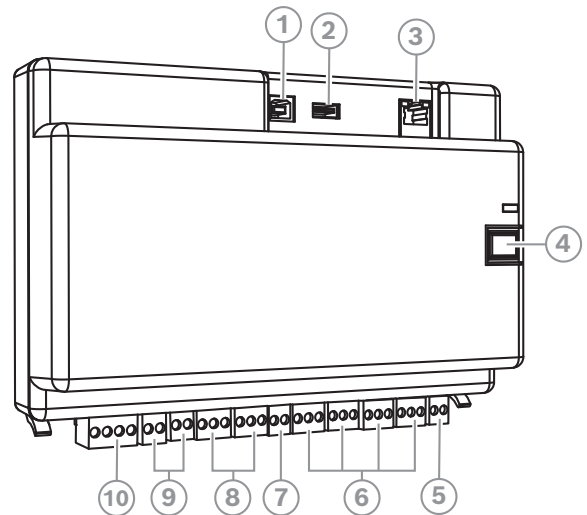


- ▶ Supports up to 32 multilingual keypads with touchscreen
- ▶ Supports up to 8 LSN Gateway modules with up to 127 devices each
- ▶ Supports additional power supplies
- ▶ Communication with the monitoring station via an external communicator

### System overview

#### MAP5000 panel

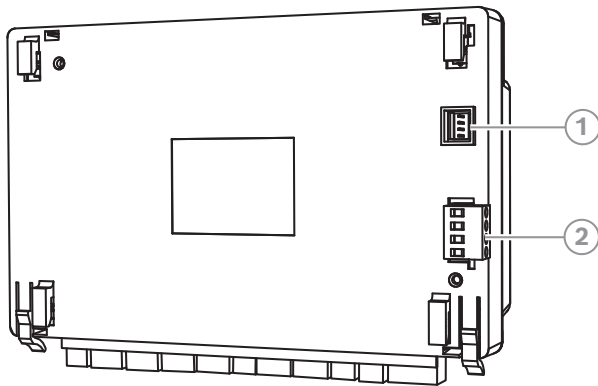
#### Terminals and connectors - front view



Element	Description
1	USB host port - currently not enabled
2	USB port - currently not enabled
3	Ethernet port
4	Installer button
5	Tamper switch input

Element	Description
6	Eight supervised inputs
7	Auxiliary power output
8	Two form C dry-contact relay outputs
9	Two auxiliary switched voltage outputs
10	External Bosch Data Bus (BDB) port

### Terminals and connectors - back view



Element	Description
1	Power supply input connector
2	Internal Bosch Data Bus (BDB) port

### Functions

#### MAP5000 panel

The MAP panel supports up to 1500 addresses, 500 areas, and 996 users. As part of a Modular Alarm Platform 5000 solution, the MAP panel connects to building management systems through internet protocol (IP).

#### Bosch Data Bus (BDB) based on CAN technology

The MAP panel provides two data buses:

- **Internal BDB** - Limited to 3 m in total length, the internal BDB connects the MAP panel to other MAP devices.
- **External BDB** -Up to 1000 m in total length, the external BDB allows keypads, LSN Gateways, CAN Splitter Modules and power supplies to be placed at the point of use, promoting greater efficiency.

**ICP-MAP5000-2 | F.01U.245.556**

#### Firmware upgrades

The firmware of all devices in the MAP system can be upgraded or updated with Remote Programming Software for MAP (RPS for MAP). This allows for on-site or off-site (IP through Ethernet) upgrades or updates.

### Communication with Software Packages

The MAP system allows separate communication with the following:

- **Management systems**

The system can be integrated into different management systems over the REST based API - Open Intrusion Interface (OII).

- **Remote Programming Software for MAP (RPS for MAP)**

Programming and diagnostic software for MAP panels that provides remote programming, record storage, remote control, and diagnostics options.

#### MAP Touch keypad 5000

This easy to use keypad gives users access to system functions through an engaging interface with intuitive icons. Users directly touch the icons on the screen to arm, disarm, or select other menu options. Text is shown in language based on the user's login.

**IUI-MAP0001-3 | F.01U.396.542**

#### MAP LSN Gateway

Each LSN gateway module connects one Local Security Network (LSN) loop or up to two stubs at a maximum output current of 300 mA. Each module supports up to 127 LSN devices.

**IUI-MAP0010 | F.01U.064.521**

#### MAP Interface module, DE

The MAP interface module DE is the primary communication interface between the MAP panel and the communicator.

**ICP-MAP0007-2 | F.01U.245.559**

#### MAP Power supply, 150W

This power supply and battery charger unit converts 230 VAC input into 24 VDC nominal and 28 VDC fixed outputs.

**IPP-MAP0005-2 | F.01U.245.558**

#### MAP Panel enclosure

The MAP panel enclosure kit contains one hinged mounting plate to hold the modules, one tamper switch, an enclosure lockset, and one 230 V terminal block.

**ICP-MAP0111 | F.01U.300.119**

#### More information

For more information about functions of individual MAP product, go to [your local online Product Catalog](#) and the corresponding product page.

## Regulatory information

Region	Regulatory compliance/quality marks	
Europe	CE	
	EN50131	G111040 Grade 3
Germany	VdS	G111040 Class C
	VdS-S	S 112016
Austria	VSOE	W 160215/59 E, VSOE Class WS

## Parts included

Quantity	Component
1	MAP5000 panel
1	MAP Touch keypad 5000
1	MAP LSN Gateway
1	MAP Interface module, DE
1	MAP Power supply, 150W
1	MAP Panel enclosure
1	Installation Guide

## Technical specifications

### MAP5000 panel

#### Electrical

Operating voltage (VDC)	19 VDC – 29 VDC
Nominal voltage (VDC)	28 VDC
Current consumption (mA)	250 mA – 500 mA

#### On-board inputs

Maximum line resistance ( $\Omega$ )	100 $\Omega$
--------------------------------------	--------------

#### Outputs

Maximum current consumption (mA) per output	1000 mA
---	---------

#### Relay outputs

Maximum operating voltage (VDC)	30 VDC
---------------------------------	--------

Maximum operating voltage (VAC)	30 VAC
Back-up time	Determined by battery capacity and system load. Consider time or capacity limits for recharging the batteries regarding local regulations (such as VdS) or EN standards if needed.

## Mechanical

Dimensions (H x W x D) (mm)	146 mm x 216 mm x 55 mm
Weight (g)	450 g
LED indication	Green for operating status

## Number of output modules

Auxiliary output	1
Power output	2
Form C dry-contact relay output	2

## Number of devices

LSN Gateway module	8
Touch keypad	32

## Environmental

Operating temperature ( $^{\circ}\text{C}$ )	-10 $^{\circ}\text{C}$ – 55 $^{\circ}\text{C}$
Storage temperature ( $^{\circ}\text{C}$ )	-20 $^{\circ}\text{C}$ – 60 $^{\circ}\text{C}$
Operating relative humidity, non-condensing (%)	5% – 95%
IP rating	IP30
Impact protection	IK04
Usage	Indoor
Environmental class (EN 50130-5)	II
Environmental class (VdS 2110)	II

## Ordering information

### ICP-MAP5000-K/2 MAP5000 kit

Kit including one MAP5000 panel, one MAP touch keypad, one MAP LSN gateway module, one MAP interface module, one MAP power supply and one MAP panel enclosure Kit.

Order number **ICP-MAP5000-K/2 | F.01U.415.887**

**Represented by:**

**Europe, Middle East, Africa:**  
Bosch Security Systems B.V.  
P.O. Box 80002  
5600 JB Eindhoven, The Netherlands

**Germany:**  
Bosch Sicherheitssysteme GmbH  
Robert-Bosch-Platz 1  
D-70839 Gerlingen

**North America:**  
Bosch Security Systems, LLC  
130 Perinton Parkway  
Fairport, New York, 14450, USA

**Asia-Pacific:**  
Robert Bosch (SEA) Pte Ltd, Security Systems  
11 Bishan Street 21  
Singapore 573943