

NDA-3083-TBLE Bubble, tinted, FD3100i outdoor



- ▶ Tinted
- ▶ Easy installation
- ▶ IK10 rated for better protection

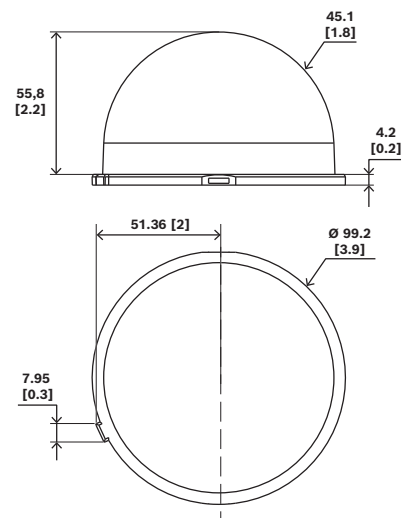
The NDA-3083-TBLE is a tinted bubble accessory that allows for an easy replacement of the device's original bubble, providing a colored bubble alternative with a light opacity level. It is applicable to all FLEXIDOME 3100i outdoor cameras.

Regulatory information

Environmental

Impact protection (EN 50102)	IK10
------------------------------	------

Installation/configuration notes



Dimensions in mm (inch)

Parts included

Quantity	Component
1	Tinted bubble
1	Quick installation guide

Represented by:

Europe, Middle East, Africa:
Bosch Security Systems B.V.
P.O. Box 80002
5600 JB Eindhoven, The Netherlands
www.boschsecurity.com/xc/en/contact/
www.boschsecurity.com

Germany:
Bosch Sicherheitssysteme GmbH
Robert-Bosch-Platz 1
D-70839 Gerlingen
www.boschsecurity.com

North America:
Bosch Security Systems, LLC
130 Perinton Parkway
Fairport, New York, 14450, USA
www.boschsecurity.com

Asia-Pacific:
Robert Bosch (SEA) Pte Ltd, Security Systems
11 Bishan Street 21
Singapore 573943
www.boschsecurity.com/xc/en/contact/
www.boschsecurity.com

NDA-3083-TBLE Bubble, tinted, FD3100i outdoor

Technical specifications

Mechanical

Bubble material	Tinted polycarbonate
Dimensions (Ø x H) (mm)	99 mm x 60 mm
Dimensions (Ø x H) (in)	3.9 in x 2.36 in
Weight (g)	56 g
Weight (lb)	0.12 lb

Ordering information

NDA-3083-TBLE Bubble, tinted, FD3100i outdoor

Tinted bubble for FLEXIDOME outdoor 3100i IR cameras

Order number **NDA-3083-TBLE**

Represented by:

Europe, Middle East, Africa:
Bosch Security Systems B.V.
P.O. Box 80002
5600 JB Eindhoven, The Netherlands
www.boschsecurity.com/xc/en/contact/
www.boschsecurity.com

Germany:
Bosch Sicherheitssysteme GmbH
Robert-Bosch-Platz 1
D-70839 Gerlingen
www.boschsecurity.com

North America:
Bosch Security Systems, LLC
130 Perinton Parkway
Fairport, New York, 14450, USA
www.boschsecurity.com

Asia-Pacific:
Robert Bosch (SEA) Pte Ltd, Security Systems
11 Bishan Street 21
Singapore 573943
www.boschsecurity.com/xc/en/contact/
www.boschsecurity.com