

## NDA-3081-PC Paintable cover, FD micro 3100i, 4pcs



- ▶ Easy installation
- ▶ Weather resistant finish to maintain cosmetic appearance

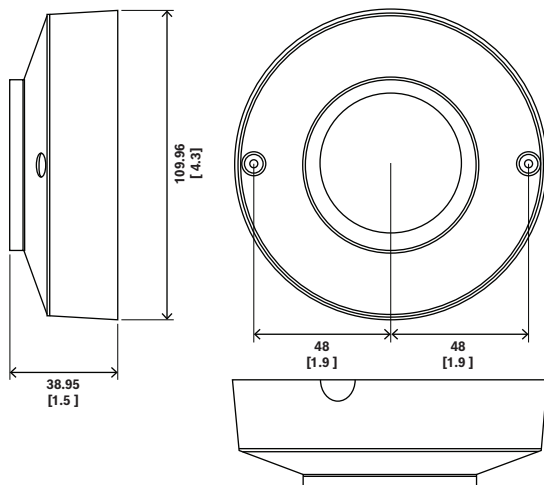
Paintable cover accessories are used to customize a device's appearance and tailor it to its surroundings.

### Functions

#### Customization

This paintable cover features a black finish allowing it to be easily repainted in the desired color to customize the device's appearance.

### Installation/configuration notes



Dimensions in mm (inch)

### Parts included

Quantity	Component
4	Paintable cover
1	Quick installation guide

### Technical specifications

#### Mechanical

Material	Plastic
Color	Black
Color (RAL)	RAL 9017 Traffic black
Dimensions (Ø x H) (mm)	109.96 mm x 38.95 mm
Dimensions (Ø x H) (in)	4.33 in x 1.53 in
Weight (g)	48 g
Weight (lb)	0.106 lb

#### Represented by:

**Europe, Middle East, Africa:**  
Bosch Security Systems B.V.  
P.O. Box 80002  
5600 JB Eindhoven, The Netherlands  
[www.boschsecurity.com/xc/en/contact/](http://www.boschsecurity.com/xc/en/contact/)  
[www.boschsecurity.com](http://www.boschsecurity.com)

**Germany:**  
Bosch Sicherheitssysteme GmbH  
Robert-Bosch-Platz 1  
D-70839 Gerlingen  
[www.boschsecurity.com](http://www.boschsecurity.com)

**North America:**  
Bosch Security Systems, LLC  
130 Perinton Parkway  
Fairport, New York, 14450, USA  
[www.boschsecurity.com](http://www.boschsecurity.com)

**Asia-Pacific:**  
Robert Bosch (SEA) Pte Ltd, Security Systems  
11 Bishan Street 21  
Singapore 573943  
[www.boschsecurity.com/xc/en/contact/](http://www.boschsecurity.com/xc/en/contact/)  
[www.boschsecurity.com](http://www.boschsecurity.com)

## NDA-3081-PC Paintable cover, FD micro 3100i, 4pcs

### Ordering information

#### **NDA-3081-PC Paintable cover, FD micro 3100i, 4pcs**

Paintable cover (4 pieces) for FLEXIDOME micro 3100i  
indoor

Order number **NDA-3081-PC**

---

#### Represented by:

##### **Europe, Middle East, Africa:**

Bosch Security Systems B.V.  
P.O. Box 80002  
5600 JB Eindhoven, The Netherlands  
[www.boschsecurity.com/xc/en/contact/](http://www.boschsecurity.com/xc/en/contact/)  
[www.boschsecurity.com](http://www.boschsecurity.com)

##### **Germany:**

Bosch Sicherheitssysteme GmbH  
Robert-Bosch-Platz 1  
D-70839 Gerlingen  
[www.boschsecurity.com](http://www.boschsecurity.com)

##### **North America:**

Bosch Security Systems, LLC  
130 Perinton Parkway  
Fairport, New York, 14450, USA  
[www.boschsecurity.com](http://www.boschsecurity.com)

##### **Asia-Pacific:**

Robert Bosch (SEA) Pte Ltd, Security Systems  
11 Bishan Street 21  
Singapore 573943  
[www.boschsecurity.com/xc/en/contact/](http://www.boschsecurity.com/xc/en/contact/)  
[www.boschsecurity.com](http://www.boschsecurity.com)