

NDA-3083-PLEN In-ceiling plenum kit for FLEXIDOME 3100



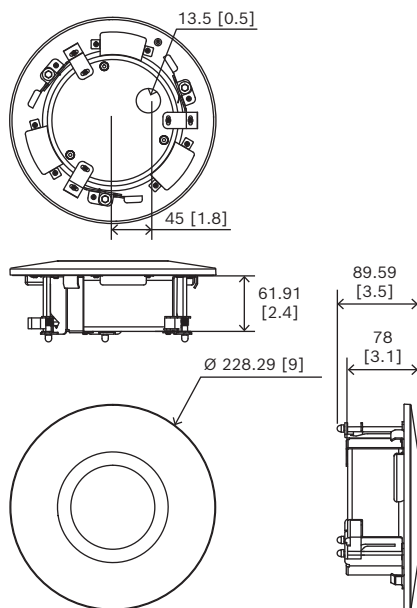
The plenum-rated in-ceiling mount kit is easy to install and has a corrosion-resistant finish. It is compatible with FLEXIDOME 3100i cameras.

Regulatory information

Environmental

Fire test Plenum rated UL 2043

Installation/configuration notes



Dimensions in mm (inch)

- ▶ Easy installation
- ▶ Corrosion-resistant finish
- ▶ Specially designed for FLEXIDOME 3100i cameras
- ▶ Compliant with the UL2043 requirements for installation above the ceiling

Parts included

Quantity	Component
1	Plenum-rated in-ceiling mount kit
1	Face plate for FLEXIDOME 3100i
3	M4 x 12 screws
1	Mounting sticker
1	Quick installation guide

Technical specifications

Mechanical

Material	Steel; Polycarbonate resin (face plate)
Color (RAL) (face plate)	RAL 9003 Signal white
Color (RAL) (inside parts)	RAL 9017 Traffic black
Dimensions (Ø x H) (mm)	229 mm x 90 mm
Dimensions (Ø x H) (in)	9.01 in x 3.54 in
Cutout section for installation (Ø) (mm)	200 mm
Cutout section for installation (Ø) (in)	7.87 in
Weight (g)	1,339 g

Weight (lb)

2.95 lb

Ordering information**NDA-3083-PLEN In-ceiling plenum kit for FLEXIDOME 3100**

Plenum-rated in-ceiling mount kit for FLEXIDOME 3100i

Order number **NDA-3083-PLEN****Represented by:**

Europe, Middle East, Africa:
Bosch Security Systems B.V.
P.O. Box 80002
5600 JB Eindhoven, The Netherlands
www.boschsecurity.com/xc/en/contact/
www.boschsecurity.com

Germany:
Bosch Sicherheitssysteme GmbH
Robert-Bosch-Platz 1
D-70839 Gerlingen
www.boschsecurity.com

North America:
Bosch Security Systems, LLC
130 Perinton Parkway
Fairport, New York, 14450, USA
www.boschsecurity.com

Asia-Pacific:
Robert Bosch (SEA) Pte Ltd, Security Systems
11 Bishan Street 21
Singapore 573943
www.boschsecurity.com/xc/en/contact/
www.boschsecurity.com