

# LTC 14xx Series FlexiDome Fixed Dome Cameras

www.boschsecurity.com



**BOSCH**  
Invented for life



- ▶ Fixed Cameras in 64 mm (2.5-inch) Domes
- ▶ 1/4-inch Format Standard and High Resolution
- ▶ Full range of color models
- ▶ Available with 2.1 mm, 3 mm or 6 mm Lenses
- ▶ All Models with advanced DSP

The FlexiDome I and II Series are fixed compact cameras in stylish surveillance domes: FlexiDome I for standard resolution and FlexiDome II for high resolution applications. The high performance 1/4-inch color CCD cameras come in a choice of 2.1 mm, 3 mm or 6 mm integral lenses for super-wide angle or standard view. Wide AC voltage ranges allow flexibility in both PAL and NTSC versions.

The FlexiDome I & II cameras are easily surface mounted on ceilings or walls to elegantly blend with their environment.. The lightly tinted dome masks the camera without significant f-stop loss. With its 24 VAC supply and line-lock capabilities, this camera is not sensitive to the color interaction between the shutter and fluorescent lighting common to DC-supplied cameras. Various configuration possibilities are available via the easily accessible switches for white balance, line-lock, phase adjustment, and backlight compensation. The camera's viewing direction can be manually adjusted, and the ball mounted construction ensures a stable camera view.

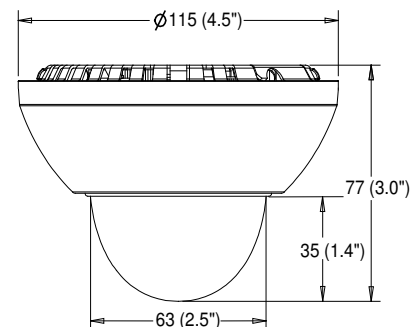
The backlight compensation and wide dynamic range, combined with the many other image enhancement features of the proprietary DSP ensure optimum contrast and a clear picture of the object at any time. Enhanced picture quality, true color reproduction, and

outstanding reliability make these domed cameras an excellent choice for indoor applications in retail, casinos, museums, malls, and bank or hotel lobbies.

## Certifications and approvals

Region	Certification
Europe	CE Declaration of Conformity

## Installation/configuration notes



Dimensions

## Parts included

Quantity	Components
1	LTC 14xx Series FlexiDome Fixed Dome Camera with lens

## Technical specifications

### Electrical

Models:	FlexiDome I	
		<b>Lens type</b>
	LTC 1411	2.1 mm F/2.0
	LTC 1412	3 mm F/2.0
	LTC 1413	6 mm F/2.0
	FlexiDome II	
	LTC 1421	2.1 mm F/2.0
	LTC 1422	3 mm F/2.0
	LTC 1423	6 mm F/2.0

Model No.	Voltage Range	Color Systems
LTC 141x/10, 142x/10	12 to 28 VAC or VDC	PAL
LTC 141x/20, 142x/20	12 to 28 VAC or VDC	NTSC

Power is 2 W for all models.

**Imager:** Interline transfer CCD; 1/4-inch image format.

	FlexiDome I	FlexiDome II
<b>Active Picture Elements:</b>		
PAL	500 H x 582 V	752 H x 582 V
NTSC	510 H x 492 V	768 H x 492 V

### Horizontal Resolution:

	Color	330 TVL	470 TVL

<b>Signal to noise ratio (Min. AGC)</b>	>46 dB	>48 dB
<b>AGC</b>	18 dB	20 dB

### Sensitivity (3200 K):

	Usable Picture (50IRE)	Full Video
Scene illumination	4.5 lux (0.45 fc)	22 lux (2.2 fc)

F/2 lens, 89.9% scene reflectance.

### Electronic Shutter

PAL Models: 1/50 to 1/100,000 sec.

NTSC Models: 1/60 to 1/100,000 sec.

### White Balance

Continuous Tracking (ATW): 2500 K to 9000 K.

White Balance Store (AWB): 2500 K to 9000 K.

**Video Output** 1.0 Vpp, 75 ohm.

**Aperture Correction** Horizontal and vertical.

### Synchronization

Line-lock (when powered by AC): Synchronizes camera to power line zero crossing for roll-free vertical interval switching. Vertical phase delay can be externally adjusted (continuously) to allow vertical synchronization in multiphase power installations.

### Controls

Line-Lock Selectable On/Off.

Phase Adjust Range 330°

White balance ATW or AWB

Backlight Compensation On/Off.

### Connectors

Video Out BNC.

Power Terminal block, power supply terminals are isolated from video output BNC.

### Mechanical

**Cable Entry** Internal connections.

### Mounting

Mounts on wall or ceiling.

Adjustable camera viewing position: 360° Horz.; 70° Vertical; 360° Rotation.

Viewing angle: 2.1mm lens - 90° Horz., 68° Vert.

Viewing angle: 3mm lens - 53° Horz., 38° Vert.

Viewing angle: 6mm H lens - 36° x Horz., 27° Vert.

### Construction/Finish

Polycarbonate (PC) dome on molded PC/ABS housing.

**Dimensions:** 115 mm (4.5 in) diameter x 77 mm (3 in) height.

**Weight:** 0.4 kg (0.9 lb).

### Environmental

Rated for indoor use.

Operating Temperature -10 °C to +45 °C (+14 °F to +113 °F)

Storage Temperature -25 °C to +70 °C (-4 °F to +158 °F)

**Humidity** 0% to 93% relative, non condensing

### Electromagnetic Compatibility

<b>EMC Requirements</b>	CE Immunity, CE Emission Class B, FCC Class B.
<b>Safety</b>	CE, UL, cUL.

### Ordering information

#### LTC 1311/10 FlexiDome I

1/4-inch B/W CCIR, 380 TVL, 12 VDC/24 VAC, 50 Hz, w/2.1 mm fixed iris lens

Order number **LTC1311/10**

#### LTC 1311/20 FlexiDome I

1/4-inch B/W EIA, 380 TVL, 12 VDC/24 VAC, 60 Hz, w/2.1 mm fixed iris lens

Order number **LTC1311/20**

#### LTC 1312/10 FlexiDome I

1/4-inch B/W CCIR, 380 TVL, 12 VDC/24 VAC, 50 Hz, w/3 mm fixed iris lens

Order number **LTC1312/10**

#### LTC 1312/20 FlexiDome I

1/4-inch B/W EIA, 380 TVL, 12 VDC/24 VAC, 60 Hz, w/3 mm fixed iris lens

Order number **LTC1312/20**

#### LTC 1313/10 FlexiDome I

1/4-inch B/W CCIR, 380 TVL, 12 VDC/24 VAC, 50 Hz, w/6 mm fixed iris lens

Order number **LTC1313/10**

#### LTC 1313/20 FlexiDome I

1/4-inch B/W EIA, 380 TVL, 12 VDC/24 VAC, 60 Hz, w/6 mm fixed iris lens

Order number **LTC1313/20**

#### LTC 1411/10 FlexiDome I

1/4-inch color PAL, 330 TVL, 12 VDC / 24 VAC, 50 Hz, w/2.1 mm fixed iris lens

Order number **LTC1411/10**

#### LTC 1411/20 FlexiDome I

1/4-inch color NTSC, 330 TVL, 12 VDC / 24 VAC, 60 Hz, w/2.1 mm fixed iris lens

Order number **LTC1411/20**

#### LTC 1412/10 FlexiDome I

1/4-inch color PAL, 330 TVL, 12 VDC / 24 VAC, 50 Hz, w/3 mm fixed iris lens

Order number **LTC1412/10**

#### LTC 1412/20 FlexiDome I

1/4-inch color NTSC, 330 TVL, 12 VDC / 24 VAC, 60 Hz, w/3 mm fixed iris lens

Order number **LTC1412/20**

#### LTC 1413/10 FlexiDome I

1/4-inch color PAL, 330 TVL, 12 VDC / 24 VAC, 50 Hz, w/6 mm fixed iris lens

Order number **LTC1413/10**

#### LTC 1413/20 FlexiDome I

1/4-inch color NTSC, 330 TVL, 12 VDC / 24 VAC, 60 Hz, w/6 mm fixed iris lens

Order number **LTC1413/20**

#### LTC 1321/10 FlexiDome II

1/4-inch B/W CCIR, 570 TVL, 12 VDC / 24 VAC, 50 Hz, w/2.1 mm fixed iris lens

Order number **LTC1321/10**

#### LTC 1321/20 FlexiDome II

1/4-inch B/W EIA, 570 TVL, 12 VDC / 24 VAC, 60 Hz, w/2.1 mm fixed iris lens

Order number **LTC1321/20**

#### LTC 1322/10 FlexiDome II

1/4-inch B/W CCIR, 570 TVL, 12 VDC/24 VAC, 50 Hz, w/3 mm fixed iris lens

Order number **LTC1322/10**

#### LTC 1322/20 FlexiDome II

1/4-inch B/W EIA, 570 TVL, 12 VDC/24 VAC, 60 Hz, w/3 mm fixed iris lens

Order number **LTC1322/20**

#### LTC 1323/10 FlexiDome II

1/4-inch B/W CCIR, 570 TVL, 12 VDC / 24 VAC, 50 Hz, w/6 mm fixed iris lens

Order number **LTC1323/10**

#### LTC 1323/20 FlexiDome II

1/4-inch B/W EIA, 570 TVL, 12 VDC / 24 VAC, 60 Hz, w/6 mm fixed iris lens

Order number **LTC1323/20**

#### LTC 1421/10 FlexiDome II

1/4-inch color PAL, 470 TVL, 12 VDC/24 VAC, 50 Hz, w/2.1 mm fixed iris lens

Order number **LTC1424/10**

#### LTC 1421/20 FlexiDome II

1/4-inch color NTSC, 470 TVL, 12 VDC/24 VAC, 60 Hz, w/2.1 mm fixed iris lens

Order number **LTC1421/20**

#### LTC 1422/10 FlexiDome II

1/4-inch color PAL, 470 TVL, 12 VDC/24 VAC, 50 Hz, w/3 mm fixed iris lens

Order number **LTC1422/10**

#### LTC 1422/20 FlexiDome II

1/4-inch color NTSC, 470 TVL, 12 VDC/24 VAC, 60 Hz, w/3 mm fixed iris lens

Order number **LTC1422/20**

#### LTC 1423/10 FlexiDome II

1/4-inch color PAL, 470 TVL, 12 VDC/24 VAC, 50 Hz, w/6 mm fixed iris lens

Order number **LTC1423/10**

**LTC 1423/20 FlexiDome II**

1/4-inch color NTSC, 470 TVL, 12 VDC/24 VAC, 60 Hz,  
w/6 mm fixed iris lens

Order number **LTC1423/20**

---

**Represented by:**

**Americas:**

Bosch Security Systems, Inc.  
130 Perinton Parkway  
Fairport, New York, 14450, USA  
Phone: +1 800 289 0096  
Fax: +1 585 223 9180  
security.sales@us.bosch.com  
www.boschsecurity.us

**Europe, Middle East, Africa:**

Bosch Security Systems B.V.  
P.O. Box 80002  
5617 BA Eindhoven, The Netherlands  
Phone: + 31 40 2577 284  
Fax: +31 40 2577 330  
emea.securitysystems@bosch.com  
www.boschsecurity.com

**Asia-Pacific:**

Robert Bosch (SEA) Pte Ltd, Security  
Systems  
11 Bishan Street 21  
Singapore 573943  
Phone: +65 6571 2808  
Fax: +65 6571 2699  
apr.securitysystems@bosch.com  
www.boschsecurity.asia

**China:**

Bosch (Shanghai) Security Systems Ltd.  
201 Building, No. 333 Fuquan Road  
North IBP  
Changning District, Shanghai  
200335 China  
Phone +86 21 22181111  
Fax: +86 21 22182398  
www.boschsecurity.com.cn

**America Latina:**

Robert Bosch Ltda Security Systems Division  
Via Anhanguera, Km 98  
CEP 13065-900  
Campinas, Sao Paulo, Brazil  
Phone: +55 19 2103 2860  
Fax: +55 19 2103 2862  
latam.boschsecurity@bosch.com  
www.boschsecurity.com