

WZ14 Integrated IR Bullet Camera

www.boschsecurity.com



BOSCH

Invented for life



Advantage Line

The WZ14 provides reliable day and night surveillance in a compact, water resistant design that integrates 30 infrared LEDs for 15 m (49 ft) of night vision.

Incorporating a SuperHAD 1/3 in CCD, the camera delivers 380 TVL of color imaging during day and active-infrared monochrome at night. The 30 integrated infrared LEDs deliver up to 15 m (49 ft) of night vision for effective 24/7 performance. The photocell-controlled LEDs ensure accurate on/off switching and help increase energy efficiency.

For indoor and outdoor environments, the WZ14 is a quick and easy Plug-and-Play solution for 24/7 day and night surveillance.

Features

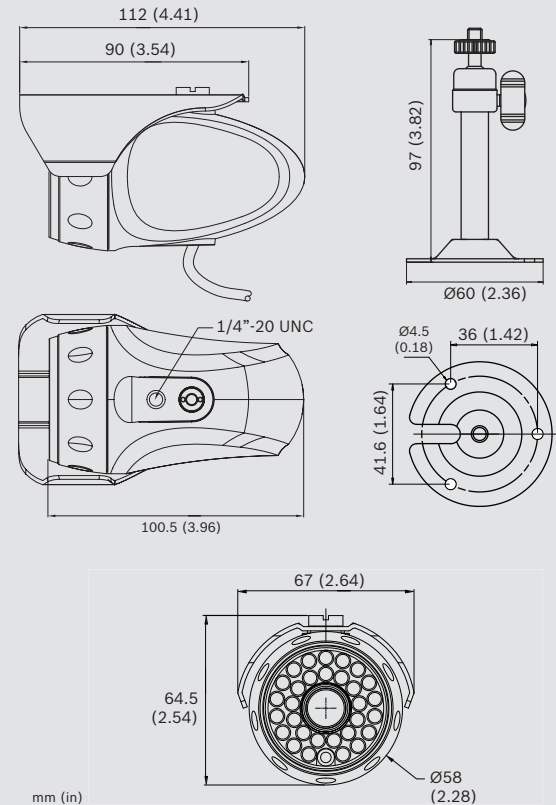
- ▶ Reliable 24/7 day and night surveillance,
- ▶ Night vision in zero lux at 15 m (49 ft)
- ▶ Wide angle viewing
- ▶ Discreet outdoor operation
- ▶ Quick installation

2 | WZ14 Integrated IR Bullet Camera

Technical specifications

Video	
CCD Image Sensor	1/3 in SuperHAD CCD
Type	Color / monochrome, video level switching
Resolution	380 TVL
Effective Pixels (H x V)	PAL: 500 x 582, NTSC: 510 x 492
Night-Time Sensitivity	0 lux (infrared on)
Electronics Iris	1/50 to 1/100,000 s (PAL), 1/60 to 1/100,000 s (NTSC)
Output Signal	1 Vpp composite video, 75 ohm
S/N Ratio	Greater than 45 dB
Gamma	0.45
Lens	Fixed 4 mm lens
LEDs	Infrared array, photocell-controlled
Wavelength	850 nm
Number of LEDs	30
Electrical	
Voltage	12 VDC
Power Draw	250 mA to 420 mA.
Power Supply	Not included
Mechanical	
Construction	Aluminum
Finish	Silver-gray
Sunshield	Included
Bracket	Pan-tilt bracket included
Weight	0.39 kg (0.86 lb)
Dimensions	64.5 x 67 x 112 mm (2.5 x 2.6 x 4.4 in.)
Environmental	
Operation Temperature Range	-30 °C to +50 °C (-22 °F to +122 °F)
Environment	IP67 compliant
Certifications and approvals	
Region	Certification
Europe	CE
Standards	
	ANSI C63.4: 2003
	FCC Part 15 subpart B, Class A
	UL 60065, 7th Edition, 2007-12-11
	CAN/CSA-C22.2 No. 60065-03, 1st Edition, 2006-04 + A1:2006
	EN55022:2006, Class A
	EN50130-4:1995+A1:1998+A2:2003
	EN61000-3-2:2006
	EN61000-3-3:1995 + A1:2001 + A2:2005
	LVD 2006/95/EC
	EN60065:2002 + A1:2006 + A11:2008
	IP67, IEC 60529 (2001)

Installation/configuration notes



Ordering information

VTI-214F04-4 WZ14 Integrated IR Bullet Camera, NTSC	VTI-214F04-4
VTI-214F04-3 WZ14 Integrated IR Bullet Camera, PAL	VTI-214F04-3
Accessories	
UPA-1220-60 Power Supply	UPA-1220-60
UPA-1220-50 Power Supply	UPA-1220-50

Represented by:

Americas:
Bosch Security Systems, Inc.
130 Perinton Parkway
Fairport, New York, 14450, USA
Phone: +1 800 289 0096
Fax: +1 585 223 9180
security.sales@us.bosch.com
www.boschsecurity.us

Europe, Middle East, Africa:
Bosch Security Systems B.V.
P.O. Box 80002
5617 BA Eindhoven, The Netherlands
Phone: +31 40 2577 284
Fax: +31 40 2577 330
emea.securitysystems@bosch.com
www.boschsecurity.com

Asia-Pacific:
Robert Bosch (SEA) Pte Ltd, Security Systems
11 Bishan Street 21
Singapore 573943
Phone: +65 6571 2808
Fax: +65 6571 2699
apr.securitysystems@bosch.com
www.boschsecurity.asia

China:
Bosch (Shanghai) Security Systems Ltd.
201 Building, No. 333 Fuquan Road
North IBP
Changning District, Shanghai
200335 China
Phone +86 21 22181111
Fax: +86 21 22182398
www.boschsecurity.com.cn

America Latina:
Robert Bosch Ltda Security Systems Division
Via Anhanguera, Km 98
CEP 13065-900
Campinas, Sao Paulo, Brazil
Phone: +55 19 2103 2860
Fax: +55 19 2103 2862
latam.boschsecurity@bosch.com
www.boschsecurity.com