

# LS1-OC100E Hemi-directional Loudspeaker

www.boschsecurity.com



**BOSCH**  
Invented for life



- ▶ For large area, high-ceiling applications
- ▶ Architecturally and acoustically innovative
- ▶ Hemi-directional pattern
- ▶ Optional bracket for fixed mounting
- ▶ Provision for internal mounting of the optional line/loudspeaker supervision board

The Bosch Hemi-directional Loudspeaker is an easy to install, innovative loudspeaker which projects consistent and high quality sound, ensuring superb reproduction of background music and high speech intelligibility for paging or emergency calls. The speaker's opening angle and high sound pressure level allows it to cover at least 600 m<sup>2</sup>, making it extremely suitable for indoor high-ceiling areas like warehouses, transport and exhibition halls, mega stores and swimming pools.

## Functions

### Voice alarm loudspeaker

The LS1-OC100E is used in voice alarm systems and is compliant with EVAC standards. The loudspeaker has built-in protection to ensure that a fire-damaged loudspeaker does not cause failure of the connected circuit. This ensures system integrity, meaning loudspeakers in other areas can still be used to inform people of the fire. The loudspeaker has ceramic terminal blocks, a thermal fuse and heat-resistant, high-temperature wiring.

### Materials

The loudspeaker is made of high-impact ABS TSG, self-extinguishing according to class UL 94 V 0 and with the highest flame retardant rating (UL 94 5VA). The loudspeaker has a white and silver finish; the metal grille has a silver finish.

### Drivers

This acoustically innovative loudspeaker accommodates 14 drivers in combination with advanced positioning and filtering. \*

\* *patent pending*

## Certifications and approvals

Safety	acc. to EN 60065
Emergency	acc. to EN 60849
Self-extinguishing	acc. to UL 94 V 0
Flame retardant	acc. to UL 94 5VA
Water and dust protection	acc. to EN 60529 IP 42
Chlorine resistant	acc. to IEC 60068/2-60
Mechanical impact	acc. to EN 50102 IK 07

Region	Certification
Europe	CE

## Installation/configuration notes

The loudspeaker can be suspended from a steel wire or chain using Dee shackles (not supplied).

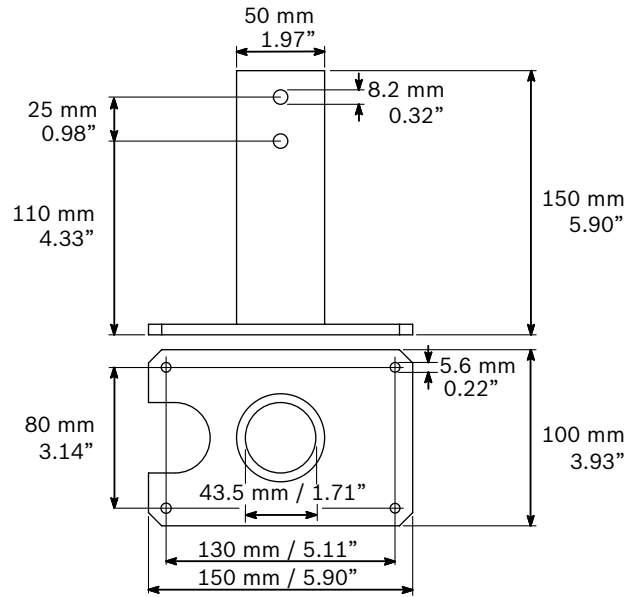
A separate accessory, LM1-MSB, is available for applications where fixed suspension is required to avoid any loudspeaker movement (such as rotation, wobbling).

This accessory uses a set of stainless steel mounting plates:

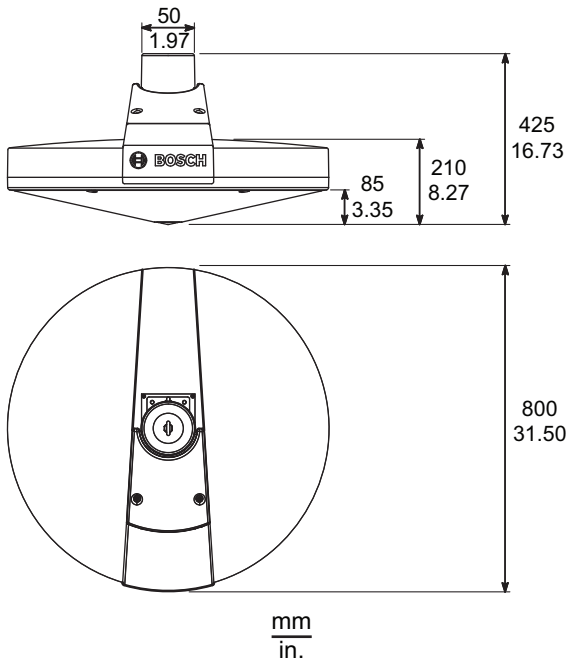
- one plate for mounting centrally onto the loudspeaker (with fixing provisions)
- one plate for fixing onto the ceiling or roof construction
- four fixing pins and spring clips
- four fixing screws

The mounting plates can be mechanically connected with a standard 39 mm dia. tube (not supplied by Bosch, but generally available in any required length). For extra safety, the loudspeaker has an eye bolt with a maximum tensile strain of 1500 N for attaching an optional safety cord.

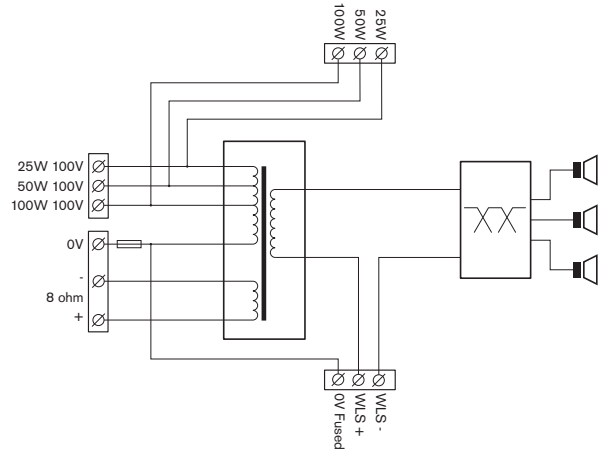
The electrical connection box, under the suspension cover, provides connection of the installation cable, allowing loop through and provision for internally mounting the optional line/loudspeaker supervision board.



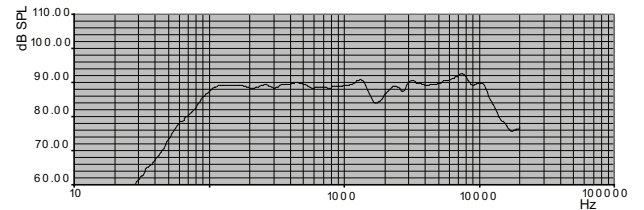
Dimensions LM1-MSB



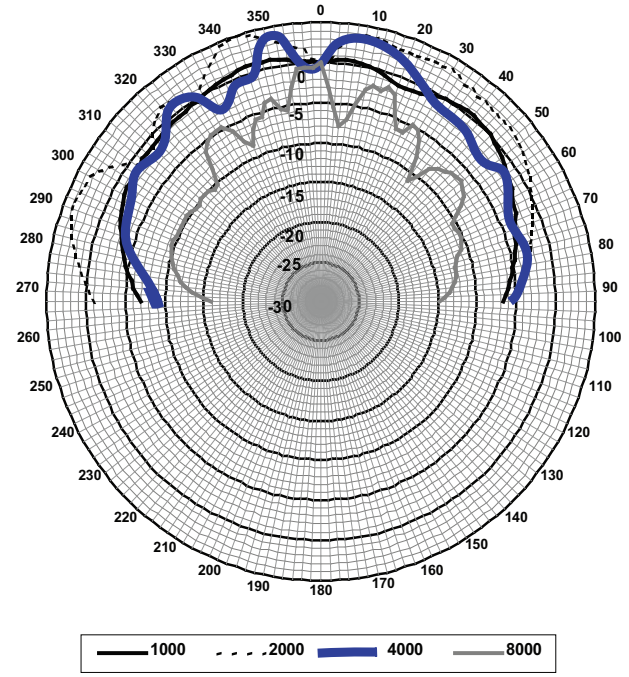
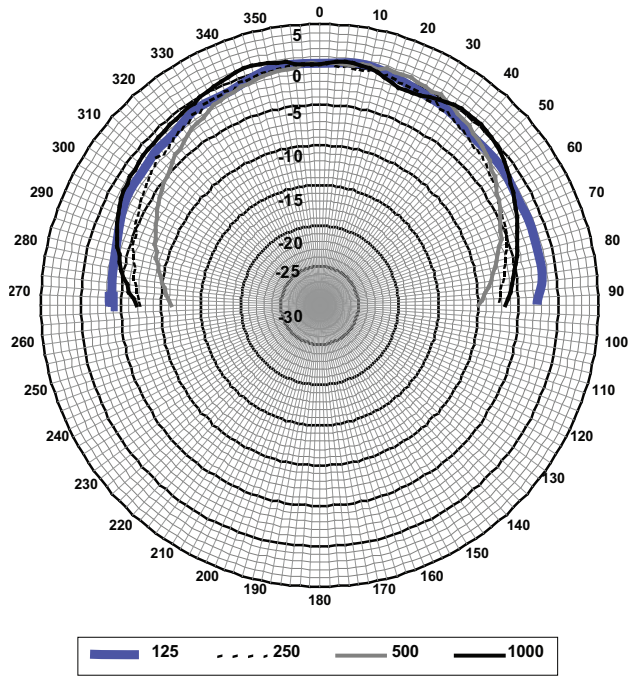
Dimensions LS1-OC100E



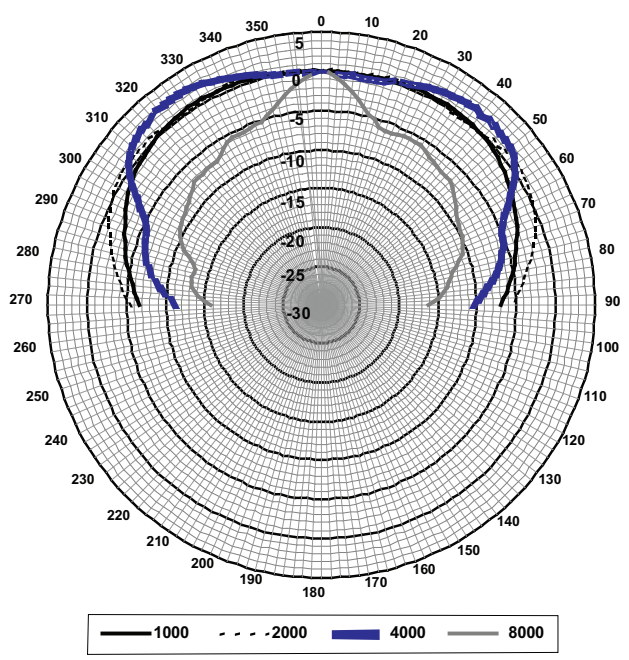
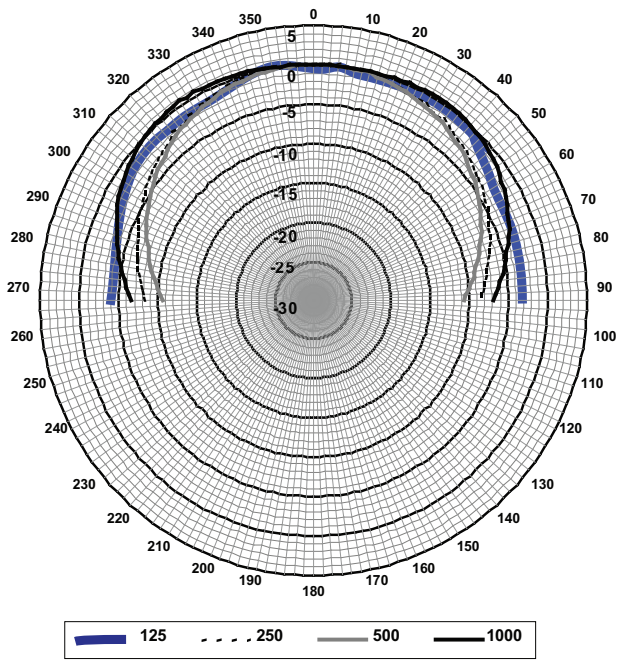
Circuit diagram



Frequency response



Vertical polar diagram of LS1-OC100E (pink noise octave, normalized at 0° axis)



Horizontal polar diagram of LS1-OC100E (pink noise octave, normalized at 0° axis)

Hz	125	250	500	1000	2000	4000	8000
SPL	89	89	89	89	86	88	93
1.1							

Hor.	>18 0	145	125	170	>18 0	145	65
Vert.	>18 0	155	135	170	>18 0	170	70

Acoustical performance specified per octave

### Parts included

Quantity	Components
1	LS1-OC100E
1	Installation Instructions

### Technical specifications

#### Electrical\*

Maximum power	150 W
Rated power	100 W (100 – 50 – 25 W)
Sound pressure level at 100 W / 1 W (1 kHz, 1 m)	109 / 89 dB
Sound pressure level at 100 W / 1 W (8 kHz, 1 m)	113 / 93 dB
Opening angle at 1 kHz / 4 kHz (-6 dB)	170° / 145° (horizontal) 170° / 170° (vertical)
Effective frequency range (-10 dB)	60 Hz to 17 kHz
Rated voltage	100 V and 28.3 V
Rated impedance	100 ohm and 8 ohm
Connector	Ceramic screw terminal

\* Technical performance data acc. to IEC 60268-5

#### Mechanical

LS1-OC100E	
Dimensions (dia. x H)	800 x 425 mm (31.50 x 16.74 in)
Weight	29 kg (63.93 lb)
Color baffle	White (RAL 9010)
Color top cover	Silver (RAL 9023)
Color grille	Silver (RAL 9006)
Material	ABS TSG
LM1-MSB	
Dimensions (H x W x D)	150 x 100 x 150 mm (5.90 x 3.94 x 5.90 in)
Weight	2.9 kg (6.39 lb)
Color	Silver (RAL 9023)
Material	Stainless steel (sandblasted)

### Environmental

Operating temperature	-25 to +55 °C (-13 to 131 °F)
Storage temperature	-40 to +70 °C (-40 to +158 °F)
Relative humidity	<95%

### Ordering information

#### LS1-OC100E Hemi-directional Loudspeaker

Hemi-directional loudspeaker, 100 W.

Order number **LS1-OC100E**

#### Accessories

#### LM1-MSB Metal Suspension Bracket Adaptor Set

Adaptor set for metal suspension bracket.

Order number **LM1-MSB**

**Represented by:**

**Americas:**

Bosch Security Systems, Inc.  
12000 Portland Avenue South  
Burnsville MN 55337, USA  
Phone: +1-800-392-3497  
Fax: +1-800-955-6831  
audiosupport@us.bosch.com  
www.boschsecurity.com

**Europe, Middle East, Africa:**

Bosch Security Systems B.V.  
P.O. Box 80002  
5617 BA Eindhoven, The Netherlands  
Phone: + 31 40 2577 284  
Fax: +31 40 2577 330  
emea.securitysystems@bosch.com  
www.boschsecurity.com

**Asia-Pacific:**

Robert Bosch (SEA) Pte Ltd, Security  
Systems  
11 Bishan Street 21  
Singapore 573943  
Phone: +65 6571 2808  
Fax: +65 6571 2699  
apr.securitysystems@bosch.com  
www.boschsecurity.asia

**China:**

Bosch (Shanghai) Security Systems Ltd.  
201 Building, No. 333 Fuquan Road  
North IBP  
Changning District, Shanghai  
200335 China  
Phone +86 21 22181111  
Fax: +86 21 22182398  
www.boschsecurity.com.cn

**America Latina:**

Robert Bosch Ltda Security Systems Division  
Via Anhanguera, Km 98  
CEP 13065-900  
Campinas, Sao Paulo, Brazil  
Phone: +55 19 2103 2860  
Fax: +55 19 2103 2862  
latam.boschsecurity@bosch.com  
www.boschsecurity.com