

# PSU-124-DC050 Universal Power Supply

www.boschsecurity.com



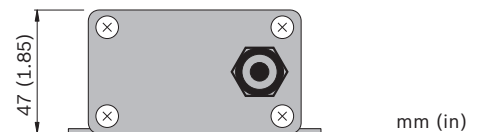
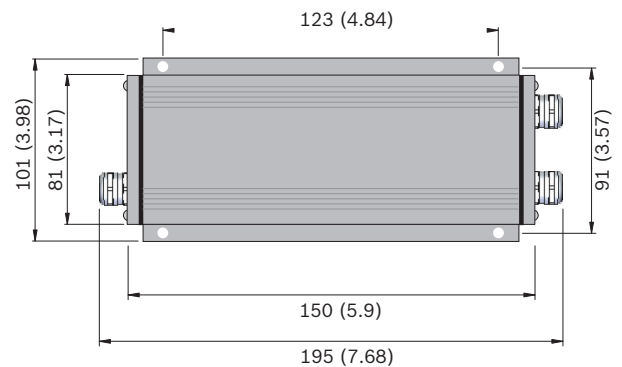
The PSU-124-DC050 universal power supply provides DC voltage to one device that requires total power of up to 50 W. The power supply accepts 100-240 VAC input, and outputs 24 VDC. The power supply is certified for UL safety ratings as a Class 2 power circuit. The power supply uses input and output clamps to connect the power input cable and output cables (no cables included). The power supply is enclosed in a rugged metal housing, and is suitable for indoor and outdoor use (IP66 rated).

## Certifications and Approvals

Region	Certification
Europe	CE

## Installation/Configuration Notes

### Dimensions



## Technical Specifications

Output	
DC voltage	24 VDC
Rated current	2.0 A

	Rated power	50 W
Input		
	Voltage range	100 to 240 VAC
	Frequency range	50 to 60 Hz
	AC current	0.9 A (115 VAC) 0.2 A (230 VAC)
Construction		
	Weight	850 g
	Material	Casing: Aluminum extrusion; End-caps: mild steel.
	Finish	Powder coated paint RAL 9010 (Pure White)
	Cable glands	Suitable for cable diameter 4 to 8 mm
Environment		
	Water protection	IP66
	Working temperature	-30 to +50°C
	Working humidity	20 to 95% RH non-condensing
	Storage temperature	-40 to +80°C
	Storage humidity	10 to 95% RH non-condensing
Safety & EMC		
	Safety standards	EN60950-1UL60950-1EN60950-22, IP66
	Harmonic current	Compliance to Class C (less than 75% load); EN61000-3-3
	EMS immunity	Compliance to EN61000-4-2,3,4,5,6,8,11; ENV50204, EN55024, EN61547, light industry level (surge 4KV), criteria A

### Ordering Information

**PSU-124-DC050 Universal Power Supply**

Universal Power Supply 24 VDC

Order number PSU-124-DC050

**Represented by:**

**Americas:**

Bosch Security Systems, Inc.  
130 Perinton Parkway  
Fairport, New York, 14450, USA  
Phone: +1 800 289 0096  
Fax: +1 585 223 9180  
security.sales@us.bosch.com  
www.boschsecurity.us

**Europe, Middle East, Africa:**

Bosch Security Systems B.V.  
P.O. Box 80002  
5600 JB Eindhoven, The Netherlands  
Phone: + 31 40 2577 284  
Fax: +31 40 2577 330  
emea.securitysystems@bosch.com  
www.boschsecurity.com

**Asia-Pacific:**

Robert Bosch (SEA) Pte Ltd, Security Systems  
11 Bishan Street 21  
Singapore 573943  
Phone: +65 6258 5511  
Fax: +65 6571 2698  
apr.securitysystems@bosch.com  
www.boschsecurity.asia