

WZMB.001 Gang Box Adapter Plate

www.boschsecurity.com



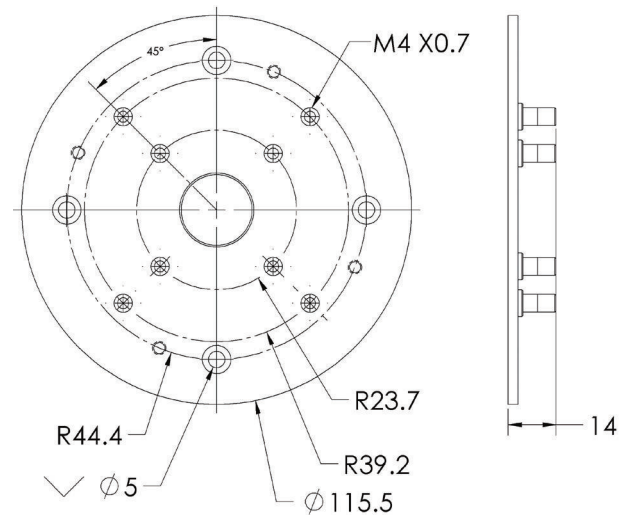
BOSCH
Invented for life



The WZMB.001 is an innovative adapter plate that enables the REG-X or WZ20 to be mounted onto a circular gang box. It is suitable for harsh outdoor environments.

Matching standard circular electric fittings, the WZMB.001 has a diameter of 115.5 mm (4.5 in). The WZMB.001 features fully sealed toughened aluminum design, enabling performance in harsh outdoor environments. A quick and easy solution for neat, clean installations, the WZMB.001 fits both the REG-X and WZ20 cameras.

Installation/configuration notes



Ordering information

WZMB.001 Gang Box Adapter Plate

Gang box adapter plate for REG-X and WZ20
Order number **WZMB.001**