

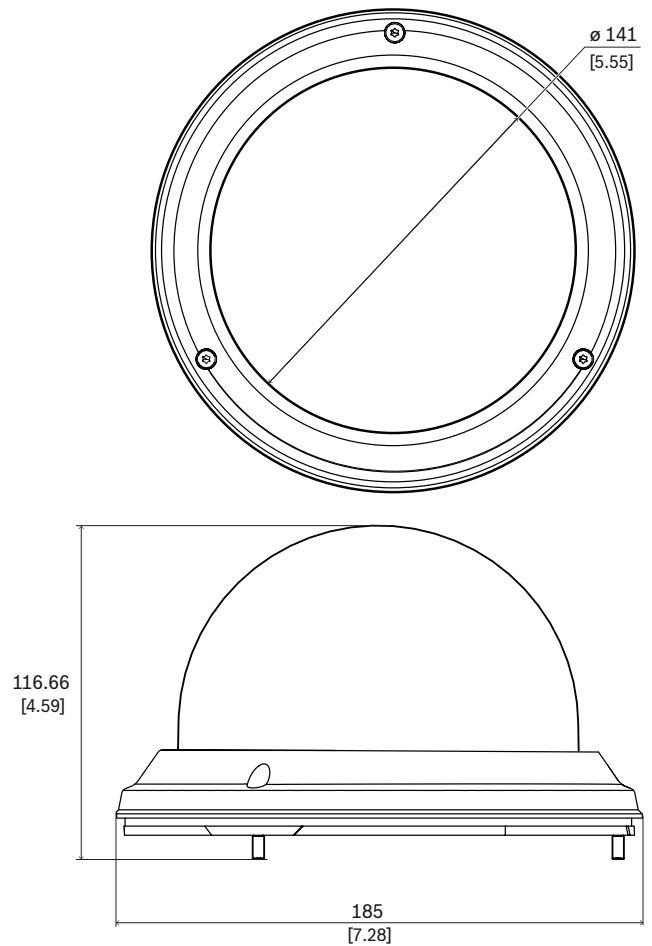
## NDA-5020-PTBL Tinted bubble for PTZ dome



Tinted bubble accessories allow for an easy replacement of the device's original bubble, providing a colored bubble alternative with a light opacity level.

- ▶ Tinted
- ▶ Easy installation
- ▶ IK10 rated for better protection
- ▶ IP66 rating confers protection against dust and water ingress

### Installation/configuration notes



Dimensions in mm (inch)

## Parts included

Quantity	Component
1	Tinted bubble with housing
1	T15 Allen key
1	Quick installation guide

## Technical specifications

### Mechanical

Dimension (Ø x H) (mm)	185 mm x 108.70 mm
Dimension (Ø x H) (in)	7.28 in x 4.28 in
Weight (g)	320 g
Weight (lb)	0.71 lb
Bubble material	Polycarbonate
Bubble color	Tinted
Material	Aluminum
Color in RAL	RAL 9003 Signal white

## Ordering information

**NDA-5020-PTBL Tinted bubble for PTZ dome**  
 Tinted bubble for pendant models of AUTODOME IP  
 5000i cameras.  
 Order number **NDA-5020-PTBL | F.01U.332.331**  
**F.01U.396.550**

#### Represented by:

**Europe, Middle East, Africa:**  
 Bosch Security Systems B.V.  
 P.O. Box 80002  
 5600 JB Eindhoven, The Netherlands  
 Phone: + 31 40 2577 284  
[www.boschsecurity.com/xc/en/contact/](http://www.boschsecurity.com/xc/en/contact/)  
[www.boschsecurity.com](http://www.boschsecurity.com)

**Germany:**  
 Bosch Sicherheitssysteme GmbH  
 Robert-Bosch-Ring 5  
 85630 Grasbrunn  
 Tel.: +49 (0)89 6290 0  
 Fax: +49 (0)89 6290 1020  
[de.securitysystems@bosch.com](mailto:de.securitysystems@bosch.com)  
[www.boschsecurity.com](http://www.boschsecurity.com)

**North America:**  
 Bosch Security Systems, LLC  
 130 Perinton Parkway  
 Fairport, New York, 14450, USA  
 Phone: +1 800 289 0096  
 Fax: +1 585 223 9180  
[onlinehelp@us.bosch.com](mailto:onlinehelp@us.bosch.com)  
[www.boschsecurity.com](http://www.boschsecurity.com)

**Asia-Pacific:**  
 Robert Bosch (SEA) Pte Ltd, Security Systems  
 11 Bishan Street 21  
 Singapore 573943  
 Phone: +65 6571 2808  
 Fax: +65 6571 2699  
[www.boschsecurity.com/xc/en/contact/](http://www.boschsecurity.com/xc/en/contact/)  
[www.boschsecurity.com](http://www.boschsecurity.com)