

DS 10 Sounders



The DS 10 sounders are acoustic signaling devices for connection to fire panels, available for operating voltage 230 V AC or 24 V DC.

Functions

The DS 10 sounders have an integrated tone generator with a selection of 6 sound variants, including DIN tones conforming to EN 457 (DIN 33404).

Depending on the tone type, volume set, and operating voltage, the sound pressure level varies between 105 dB(A) and 110 dB(A).

The programming/coding is undertaken via DIP switches in the signaling device.

The DS 10 sounders can be used as a monitored and non-monitored signaling devices.

Regulatory information

VdS ID number: **G 28 609**

CE DS 10

EN54-3: 2006

Region	Regulatory compliance/quality marks	
Europe	CE	DS 10
	CPD	0786-CPD-20005 DS10
Germany	VdS	G 28609 DS 10

Installation/configuration notes

- For surface-mounted cable feed.
- Can be connected to LSN fire panels.

V d S

- ▶ Very robust housing made of 4 mm pressure-molded aluminum
- ▶ Compact and maintenance-free
- ▶ Great reliability and long lifespan
- ▶ Can be used in adverse environmental conditions
- ▶ Reverse polarity protected connections
- ▶ Volume up to 110 dB(A)

- The DS 10 sounders can be directly connected to monitored control lines.

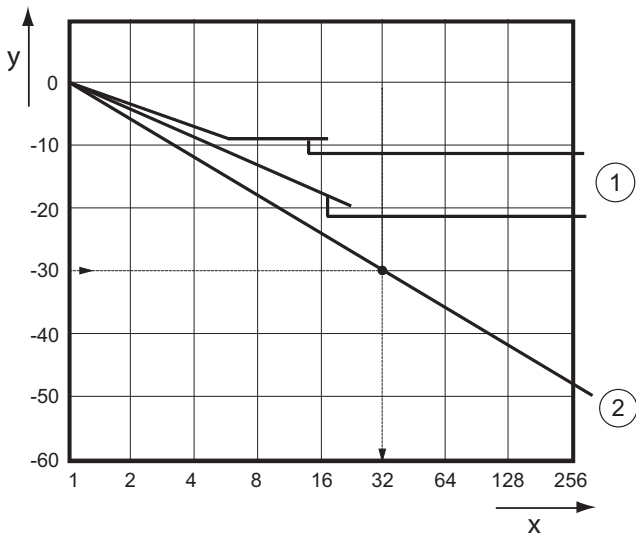
Tone type table

No	Signal shape	Frequency
1	DIN tone (increasing/decreasing tone)	1200-500 Hz
2	Variable tone	825/1075 Hz
3	Pulse tone 1	825 Hz
4	Pulse tone 2	500 Hz
5	Continuous tone 1	825 Hz
6	Continuous tone 2	500 Hz

Calculation example

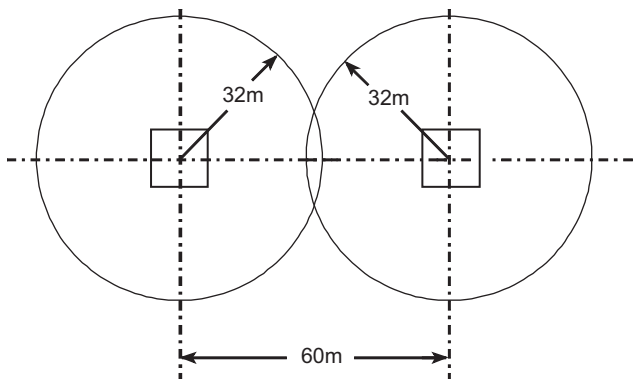
Maximum DS 10 sound pressure level	110 dB
less 10 dB for unique audibility	-10 dB
less environmental sound level	-70 dB
resulting attenuation through distance from siren	30 dB

Sound Pressure Level Drop



Pos.	Description
x	Distance from loudspeaker (m)
y	Sound pressure level decrease (dB)
1	Sound pressure decrease on reflection (depends on room volume and reverberation time)
2	Drop of sound pressure without reflection

The diagram shows a maximum distance of 32 m for this damping. It is therefore recommended that an audible notification appliance be installed approximately every 60 m.



Technical specifications

Sound pressure level at a distance of 1 m (dB (A))	≤ 110
--	-------

Represented by:

Europe, Middle East, Africa:
 Bosch Security Systems B.V.
 P.O. Box 80002
 5600 JB Eindhoven, The Netherlands
www.boschsecurity.com/xc/en/contact/
www.boschsecurity.com

Germany:
 Bosch Sicherheitssysteme GmbH
 Robert-Bosch-Platz 1
 D-70839 Gerlingen
www.boschsecurity.com

North America:
 Bosch Security Systems, LLC
 130 Perinton Parkway
 Fairport, New York, 14450, USA
www.boschsecurity.com

Asia-Pacific:
 Robert Bosch (SEA) Pte Ltd, Security Systems
 11 Bishan Street 21
 Singapore 573943
www.boschsecurity.com/xc/en/contact/
www.boschsecurity.com

Frequency range (Hz)	500 up to 1200
Permissible operating temperature (°C)	-25 to +55
Permissible relative humidity (%)	95
Protection class as per EN 60529	IP 66/67
Dimensions (W x H x D, mm)	133.5 x 133.5 x 143
Housing material	Cast aluminum
Housing color	Red, RAL 3000

DS10-230V Sounder red, 230V	
Nominal voltage (VAC)	230 VAC
Current consumption (mA)	0 mA – 60 mA
Weight (g)	2,150 g

DS10-24V Sounder red, 24V	
Operating voltage (VDC)	19 VDC – 29 VDC
Current consumption (mA)	0 mA – 420 mA
Weight (g)	1,950 g

Ordering information

DS10-230V Sounder red, 230V

for connection to fire panels, available for operating voltage 230 V, usable in adverse environmental conditions

Order number **DS10-230V**

DS10-24V Sounder red, 24V

for connection to fire panels, available for operating voltage 24 V DC, usable in adverse environmental conditions

Order number **DS10-24V**

Services

EWE-DS10-IW 12 mths wrty ext DS10 DIN tone sounder

12 months warranty extension

Order number **EWE-DS10-IW**