

DS6R2



EN

Installation and Operation Guide
Self-Contained Control
Panel



BOSCH

Trademarks

Microsoft® is a registered trademark of Microsoft Corporation in the United States and/or other countries.

Contents

1.0	Overview	4
1.1	Multi-Tenant System (MTS) Overview	4
1.2	MTS Device Address.....	4
1.3	DS6R2 Overview	4
2.0	Installation	6
2.1	Mounting the DS6R2.....	6
2.2	Wiring the DS6R2.....	6
2.2.1.	System Wiring	6
2.2.2.	Input Wiring.....	7
2.2.3.	Output Wiring.....	8
2.2.4.	Wireless Receiver.....	8
3.0	Programming	9
3.1	Entering Programming Mode	9
3.2	Changing Programming Values	9
3.3	Exiting Programming Mode	9
3.4	Programming Wireless Devices.....	14
3.5	Resetting Default Values	14
3.5.1.	Reset the Master Code	14
3.5.2.	Reset Programming Default Values.....	14
4.0	Wireless Maintenance	15
4.1	Wireless Device Test Mode	15
4.2	Low Battery Trouble.....	15
4.3	Supervisory Trouble	15
5.0	Specifications	15
6.0	RS-485 Bus Address	16

1.0 Overview

1.1 Multi-Tenant System (MTS) Overview

MTS is a distributed security system for monitoring and controlling a large number of small sites. Examples include apartment and condominium complexes, retail plazas, office buildings, and educational and hospital campuses.

A typical MTS installation consists of the following components:

- **MTSW Security Station Software:** MTSW is a Microsoft® Windows-based application installed on a PC and monitored by guard station personnel.
- **MTR Communication Receiver:** The MTR receives and handles alarm events from devices connected to the CAN RS-485 bus. It monitors and reports CAN bus status and other system internal events, and interfaces with MTSW to synchronize system data.
- **MTGW CAN RS-485 Bus Gateway:** The MTGW converts data back and forth from an RS-485 format to a Controller Area Network (CAN) bus format. The system supports up to 100 MTGWs per CAN bus line. The MTGW provides three RS-485 loops that support a total of 120 RS-485 devices spread across the three loops.
- **RS-485 Bus Devices:** Refer to *Table 1* for a list of supported RS-485 devices.

RS-485 Device	Description
DS6R2	6-zone self-contained control panel
DS12R	12-zone self-contained control panel
MT1-1	Single-zone input device
MT1-2	Two-zone input device
MT1-8	8-zone input device
MT2-8	8-output device
MT3-1	Single-zone input/output device

CAN bus wiring requirements are as follows:

- **CAN Bus Interface:** Connect the CAN bus to the MTR Communication Receiver with at least 1.5 mm (16 AWG) shielded twisted-pair wire; maximum length: 2000 m (6500 ft).
- **RS-485 Buses 1-3:** Use at least 1.0 mm (20 AWG) shielded twisted-pair wire for the RS-485 bus; maximum length: 1200 m (3900 ft). RS-485 bus wiring status is supervised.

1.2 MTS Device Address

You must assign an address to each device in the system. The address consists of at least four segments. For example:

1.2.5.3.6

- **1:** This segment identifies the number assigned to the MTR central receiver (01 to 99).
- **2:** This segment identifies the CAN bus number occupied by the MTGW (1 or 2).
- **5 :** This segment identifies the MTGW's CAN bus address (1 to 100).
- **3 :** This segment identifies the device's RS-485 address (1 to 120).
- **6 :** This segment identifies the zone number of an input or output device connected to the RS-485 device.

To set the address on this device, refer to *Section 6.0 RS-485 Bus Address* on page 16.

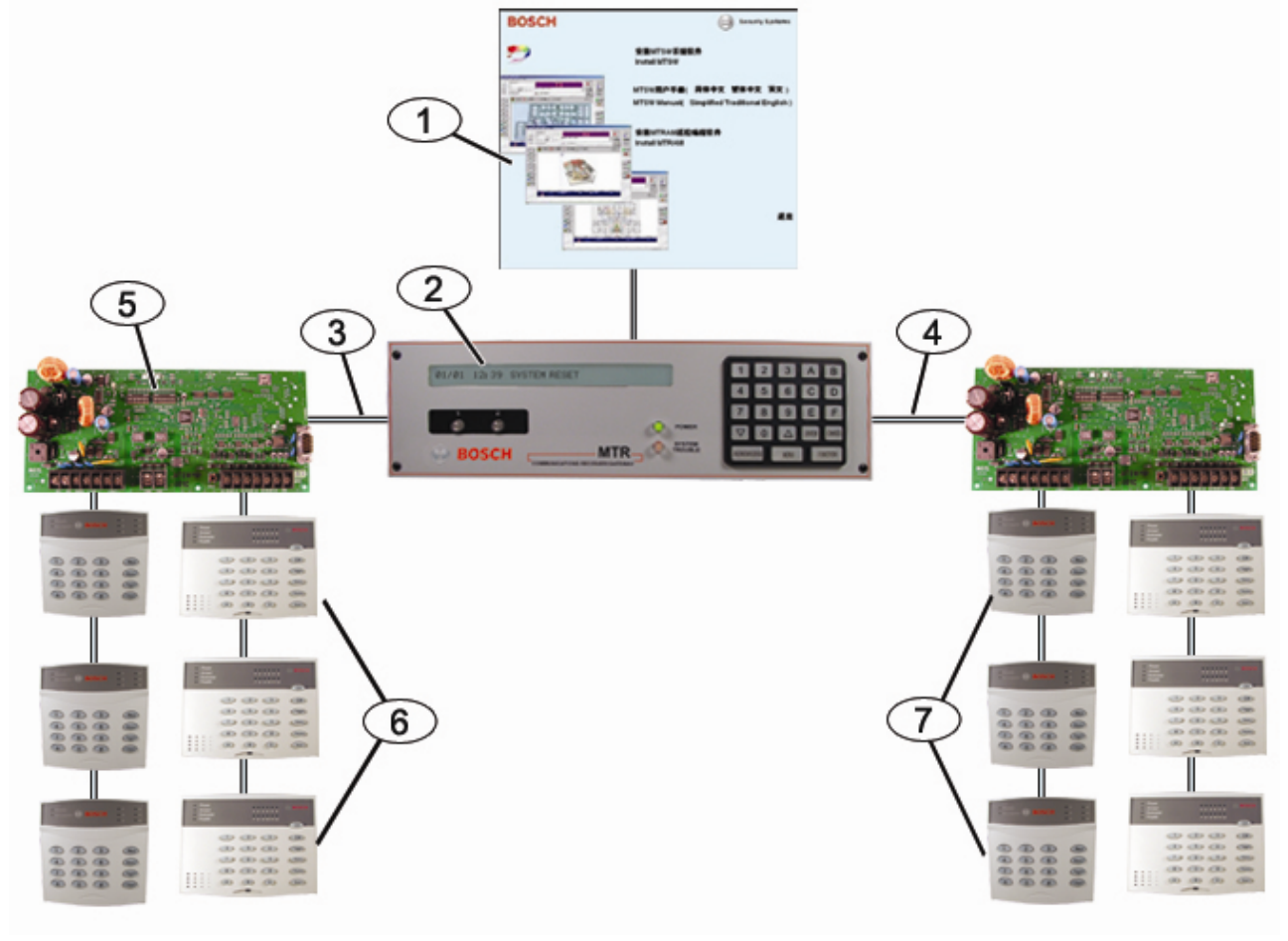
1.3 DS6R2 Overview

The DS6R2 is a self-contained, six-zone control panel. Use it as a stand-alone security system, or connect it to a Multi-tenant System (MTS). MTS combines individual apartment housing units into a single monitoring system.

The DS6R2 supports:

- 6 alarm input zones
- 1 alarm relay output
- 2 solid-state outputs
- 1 keyswitch input
- 1 master code
- 3 user PIN codes
- 1 duress code
- 1 door unlock code
- RF3212 and RF3212E Wireless Receiver
- RF3332 and RF3334 Key Fobs
- RF3332E and RF3334E Key Fobs

Figure 1: MTS System Overview



- 1- MTSW Security Station Software
- 2- MTR Communication Receiver
- 3- CAN Bus 1
- 4- CAN Bus 2

- 5- MTGW CAN RS-485 Bus Gateway
- 6- RS-485 Device (DS12R pictured)
- 7- RS-485 Device (DS6R2 pictured)

2.0 Installation



Install the DS6R2 as described in this document to avoid damage to the devices.

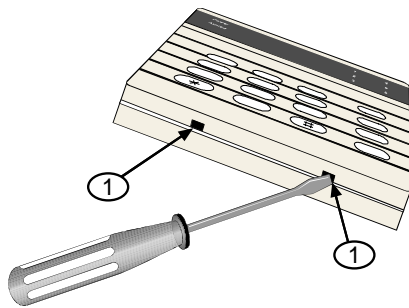
When installation is complete, perform a full system test.

2.1 Mounting the DS6R2

You can mount the DS6R2 directly to the intended surface (flush or semi-flush), or you can mount it to an electrical box.

1. To open the keypad, use a screwdriver to press the release tabs on the bottom of the keypad. Refer to *Figure 2*.

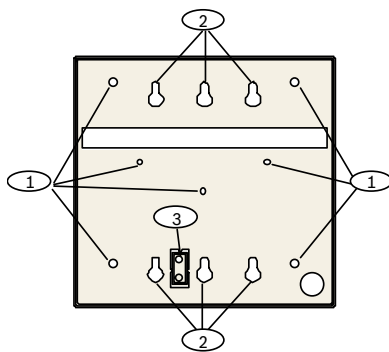
Figure 2: Opening the DS6R2



1- Release tab

2. Mount the base on the intended surface or electrical box. Refer to *Figure 3*.

Figure 3: Mounting Holes



- 1- Holes for surface-mounting
- 2- Holes for electrical box
- 3- Hole for wall tamper screw



To use the wall tamper feature, mount the DS6R2 directly to the intended surface.

2.2 Wiring the DS6R2

2.2.1. System Wiring



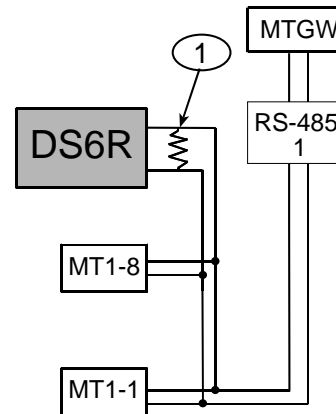
Remove power to all devices before connecting or removing the DS6R2.

Connect devices as shown in *Figure 4*. If the DS6R2 is the last device on the RS-485 bus, connect a 120 Ω EOL resistor in parallel with the RS-485 bus.



Only the last device on the RS-485 bus requires a 120 Ω EOL resistor (included with the MTGW CAN-RS-485 BUS Gateway).

Figure 4: RS-485 Bus Wiring



1- 120 Ω EOL resistor

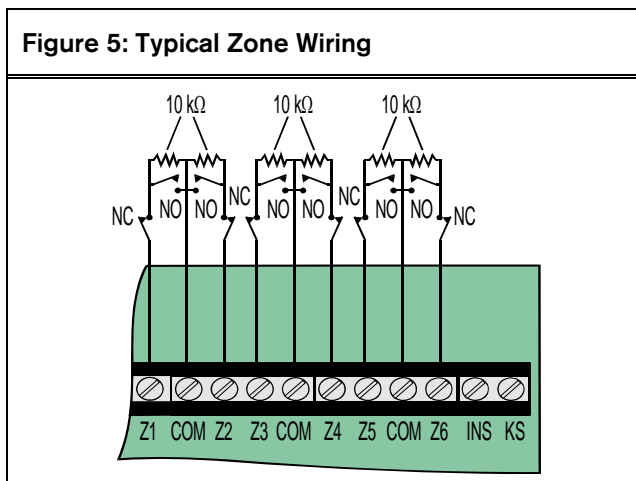
Refer to *Table 2* for wiring connections.

Terminal	Description
B	RS-485 B Terminal
A	RS-485 A Terminal
+	Power + (12 VDC)
-	Power - (common)
RF	RF receiver interface
P01	Solid State Output 1
COM	Solid State Output Common
P02	Solid State Output 2
NO	Alarm output (normally open)
C	Alarm output (common)
NC	Alarm output (normally closed)
Z1	Zone 1
COM	Common (earth ground)
Z2	Zone 2
Z3	Zone 3
COM	Common (earth ground)
Z4	Zone 4
Z5	Zone 5
COM	Common (earth ground)
Z6	Zone 6
INS	Instant zone
KS	Keyswitch input

2.2.2. Input Wiring

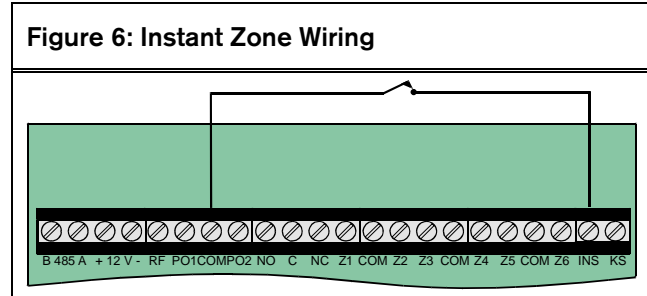
Typical Zone Wiring

The DS6R2 supports zones wired with normally-open (NO) or normally-closed (NC) contacts. Terminate each zone with a 10 kΩ EOL resistor. Refer to *Figure 5*.



Instant Zone Wiring

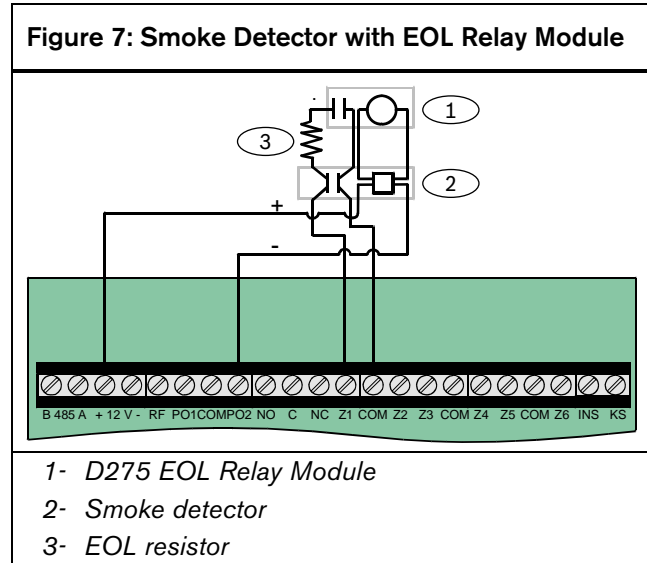
To change a delay zone to an instant zone and override Entry Delay and Exit Delay, connect a short between the INS terminal and the zone's COM terminal. Remove the short to restore the delay zone to its programmed operation. Refer to *Figure 6*.



Smoke Detector Wiring

The DS6R2 supports four-wire smoke detectors. *Figure 7* shows a smoke detector connected to an EOL relay module.

i The total current draw of the four-wire smoke detectors and the EOL relay module cannot exceed 250 mA.

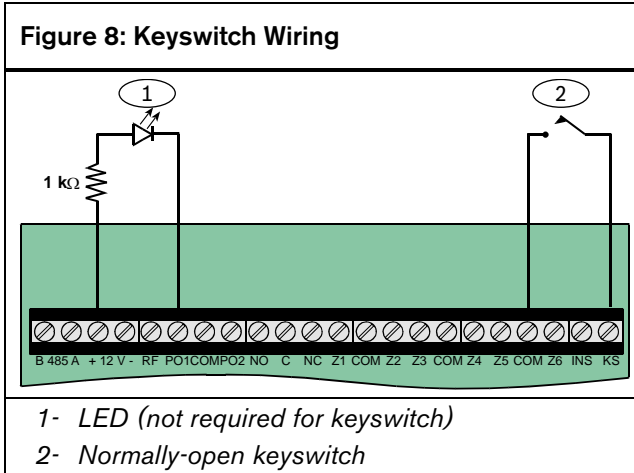


Keyswitch Wiring

Depending on programming settings, you can use a keyswitch to arm or disarm the DS6R2:

- If *Program Address 29* is set to **1**, the input operates as a momentary keyswitch that can only arm the system.
- If *Program Address 29* is set to **2**, the input operates as a maintained keyswitch that can arm and disarm the system.

Refer to *Figure 8*.



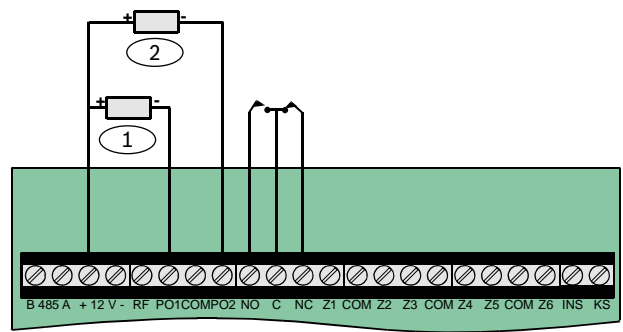
2.2.3. Output Wiring

The DS6R2 has Form C (NO/C/NC) contacts rated for 3 A at 28 VDC.

Two solid-state current sinks can be used for devices with a current draw of up to 250 mA for each device. Refer to *Figure 9*.

The operating voltage for attached relays cannot exceed 15 VDC. Refer to *Program Addresses 26* and *27* in *Table 3* starting on page 11 for output options.

Figure 9: Output Wiring



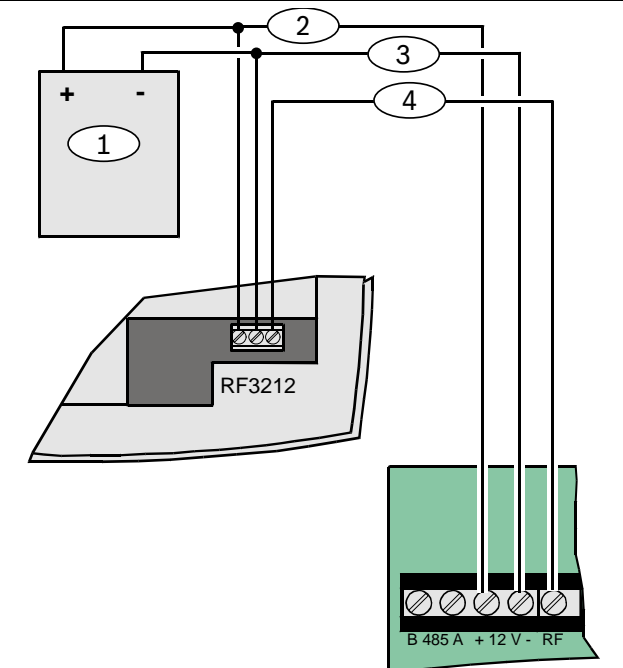
- 1- Device 1
- 2- Device 2

2.2.4. Wireless Receiver

An RF3212 or RF3212E Receiver is required to use key fobs and wireless devices with the system.

Refer to *Figure 10*.

Figure 10: Wireless Receiver Wiring



- 1- 12 VDC power supply
- 2- +12 VDC
- 3- -12 VDC
- 4- Data

3.0 Programming



Use the Master Code for programming. The three User Codes cannot be used to program the DS6R2.

The default Master Code is **1234**. If you forget the Master Code, reset the DS6R2 to its default values. Refer to *Section 3.5 Resetting Default Values* on page 14.

3.1 Entering Programming Mode

1. Enter the Master Code.
2. Press and hold the [*] key for 3 sec.
The keypad beeps and the zone LEDs flash quickly to indicate that you entered Programming Mode.

3.2 Changing Programming Values

3. Enter the programming address (**x** or **xx**), then press [*].
Program Addresses 0 through 9 require only one digit. *Program Addresses 10 through 99* require two digits.
4. Enter the desired value.
The programming value can be from one digit to nine digits in length, depending on the address. A beep indicates the input is accepted. Refer to *Table 3* on page 10.
5. Repeat *Steps 3* and *4* to program other addresses.



If you make an incorrect entry before completing the number, press [*] to clear the previous entry, and then re-enter it.

If you enter the wrong digits and complete the number, press [*] and re-enter the program address number and the program value.

Example 1: To change the Master Code (Program Address 0) to **3345**, enter the address, press [*], then enter the desired value: [0]+[*]+[3]+[3]+[4]+[5].

Example 2: To enable the Quick Arm function (Program Address 28): [2]+[8]+[*]+[1].

3.3 Exiting Programming Mode

Press and hold [*] for 3 sec to exit Programming Mode. The keypad beeps and the zone LEDs turn off, indicating you have exited Programming Mode.

Table 3: Programming Values

Program Address	Description	Factory Default Value	Program Value
0	Master Code	1234	0001 to 9999 (0000 is not allowed)
1	User Code 1	1000	0001 to 9999 (0000 = disable)
2	User Code 2	0000	0001 to 9999 (0000 = disable)
3	User Code 3	0000	0001 to 9999 (0000 = disable)
4	Alarm Time	180	000 to 999 (0 sec to 999 sec)
5	Exit Delay Time	090	000 to 999 (0 sec to 999 sec)
6	Entry Delay time	090	000 to 999 (0 sec to 999 sec)
7	Zone 1 Type ¹	2	1 = Instant 2 = Delay ² 3 = 24-hour 4 = Follower 5 = Silent zone 6 = Perimeter zone 7 = Perimeter delay zone
8	Zone 1 Bypass ³	2	1 = Bypass allowed 2 = No bypass allowed
9	Zone 1 Shunt	2	1 – Zone shunt allowed 2 = No zone shunt allowed
10	Zone 2 Type ¹	4	1 = Instant 2 = Delay ² 3 = 24-hour 4 = Follower 5 = Silent zone 6 = Perimeter zone 7 = Perimeter delay zone
11	Zone 2 Bypass ³	2	1 = Bypass allowed 2 = No bypass allowed
12	Zone 2 Shunt	2	1 – Zone shunt allowed 2 = No zone shunt allowed
13	Zone 3 Type ¹	1	1 = Instant 2 = Delay ² 3 = 24-hour 4 = Follower 5 = Silent zone 6 = Perimeter zone 7 = Perimeter delay zone
14	Zone 3 Bypass ³	2	1 = Bypass allowed 2 = No bypass allowed
15	Zone 3 Shunt	2	1 – Zone shunt allowed 2 = No zone shunt allowed
16	Zone 4 Type ¹	1	1 = Instant 2 = Delay ² 3 = 24-hour 4 = Follower 5 = Silent zone 6 = Perimeter zone 7 = Perimeter delay zone
17	Zone 4 Bypass ³	2	1 = Bypass allowed 2 = No bypass allowed
18	Zone 4 Shunt	2	1 – Zone shunt allowed 2 = No zone shunt allowed

¹ Refer to *Table 4* on page 13 for descriptions of each zone type.

² There is only one Entry Delay Timer and one Exit Delay timer. Any zone programmed to “Delay” follows these timers.

³ If a zone is programmed to 24-hour, bypass is not allowed.

Table 3: Programming Values (continued)

Program Address	Description	Factory Default Value	Program Value
19	Zone 5 Type ¹	1	1 = Instant 2 = Delay ² 3 = 24-hour 4 = Follower 5 = Silent zone 6 = Perimeter zone 7 = Perimeter delay zone
20	Zone 5 Bypass ³	2	1 = Bypass allowed 2 = No bypass allowed
21	Zone 5 Shunt	2	1 = Zone shunt allowed 2 = No zone shunt allowed
22	Zone 6 Type ¹	3	1 = Instant 2 = Delay ² 3 = 24-hour 4 = Follower 5 = Silence 24-hour 6 = Perimeter instant 7 = Perimeter delay 8 = REX
23	Zone 6 Bypass ³	2	1 = Bypass allowed 2 = No bypass allowed
24	Zone 6 Shunt	2	1 = Zone shunt allowed 2 = No zone shunt allowed
25	Built-in Buzzer (Alarm Sound)	1	0 = Off 1 = On
26	Solid State Output 1 ⁴	1	1 = Follows armed state 2 = Follows alarm output
27	Solid State Output 2 ⁵	1	1 = Follows fire reset 2 = Follows zone status 3 = Follows unlock ⁶ code
28	Quick Arm	2	1 = Enable Quick Arm 2 = Disable Quick Arm
29	Keyswitch Input ⁷	1	1 = Allow arm only 2 = Allow arm or disarm
30	Panic Key Enable	0	0 = Off 1 = On
31	Relay Function	0	0 = Follows alarm 1 = Follows Unlock User code
32	Duress User Code ⁸	0000	0001 to 9999 (0000 = disable)
33	Door Unlock Code	0000	0001 to 9999 (0000 = disable) This code must be different from the Master Code.
34	Door Unlock Time	000	000 to 999 (0 sec to 999 sec) 000 = disable

¹ Refer to *Table 4* on page 13 for descriptions of each zone type.

² There is only one Entry Delay Timer and One Exit Delay timer. Any zone programmed to "Delay" follows these timers.

³ If a zone is programmed to 24-hour, bypass is not allowed.

⁴ This output is normally open, but drops to 0 V when the system is armed or an alarm occurs. If this output drops to 0 V after an alarm occurs, it remains active for the time defined in *Program Address 4 (Alarm Time)*.

⁵ When this output is programmed to the Fire Reset function, this output drops to 0 V and remains open during Fire Reset. If this output is programmed to follow Zone Alarm, it remains active for the entire time that a zone remains in alarm.

⁶ A user can enter the Door Unlock code to unlock a door that is controlled by *Programming Address 27 (Solid State Output 2)* or *Programming Address 31 (Relay Function)*. If *Programming Address 27 = 3*, the output drops to 0 V after the Door Unlock code is entered. If *Programming Address 31 = 1*, the relay activates after the Door Unlock code is entered.

⁷ Turn and hold the keyswitch for at least 1 sec to start the arming sequence. If *Program Address 29* is set to **2**, a continuous switch or dry contact can be used.

⁸ If the Duress code is entered, the control panel disarms normally, but sends a silent alarm to the central station. Use this feature to allow a user in danger to activate a silent alarm. This code must be unique.

Table 3: Programming Values (continued)

Program Address	Description	Factory Default Value	Program Value
35	RF Key Fob Enable	0	0 = Disable 1 = Use key fob (up to six)
36	RF Supervisory Trouble	1	1 = Report supervisory trouble after 12 h 2 = Report supervisory trouble after 24 h
37*	RF Zone 1 Device 1 ID Number	00000000	00000000 = Disabled (zone is hard-wired) Allows 000000001 to 999999999 ID numbers
38*	RF Zone 1 Device 2 ID Number	00000000	00000000 = Disabled (zone is hard-wired) Allows 000000001 to 999999999 ID numbers
39*	RF Zone 1 Device 3 ID Number	00000000	00000000 = Disabled (zone is hard-wired) Allows 000000001 to 999999999 ID numbers
40*	RF Zone 2 Device 1 ID Number	00000000	00000000 = Disabled (zone is hard-wired) Allows 000000001 to 999999999 ID numbers
41*	RF Zone 2 Device 2 ID Number	00000000	00000000 = Disabled (zone is hard-wired) Allows 000000001 to 999999999 ID numbers
42*	RF Zone 2 Device 3 ID Number	00000000	00000000 = Disabled (zone is hard-wired) Allows 000000001 to 999999999 ID numbers
43*	RF Zone 3 Device 1 ID Number	00000000	00000000 = Disabled (zone is hard-wired) Allows 000000001 to 999999999 ID numbers
44*	RF Zone 3 Device 2 ID Number	00000000	00000000 = Disabled (zone is hard-wired) Allows 000000001 to 999999999 ID numbers
45*	RF Zone 3 Device 3 ID Number	00000000	00000000 = Disabled (zone is hard-wired) Allows 000000001 to 999999999 ID numbers
46*	RF Zone 4 Device 1 ID Number	00000000	00000000 = Disabled (zone is hard-wired) Allows 000000001 to 999999999 ID numbers
47*	RF Zone 4 Device 2 ID Number	00000000	00000000 = Disabled (zone is hard-wired) Allows 000000001 to 999999999 ID numbers
48*	RF Zone 4 Device 3 ID Number	00000000	00000000 = Disabled (zone is hard-wired) Allows 000000001 to 999999999 ID numbers
49*	RF Zone 5 Device 1 ID Number	00000000	00000000 = Disabled (zone is hard-wired) Allows 000000001 to 999999999 ID numbers
50*	RF Zone 5 Device 2 ID Number	00000000	00000000 = Disabled (zone is hard-wired) Allows 000000001 to 999999999 ID numbers
51*	RF Zone 5 Device 3 ID Number	00000000	00000000 = Disabled (zone is hard-wired) Allows 000000001 to 999999999 ID numbers
52*	RF Zone 6 Device 1 ID Number	00000000	00000000 = Disabled (zone is hard-wired) Allows 000000001 to 999999999 ID numbers
53*	RF Zone 6 Device 2 ID Number	00000000	00000000 = Disabled (zone is hard-wired) Allows 000000001 to 999999999 ID numbers
54*	RF Zone 6 Device 3 ID Number	00000000	00000000 = Disabled (zone is hard-wired) Allows 000000001 to 999999999 ID numbers
55	RF Key fob 1 ID Number	00000000	00000000 = Disabled Allows 000000001 to 999999999 ID numbers

* If an RF ID is entered for *Program Addresses 37 to 54*, the zone is a wireless zone. The DS6R2 ignores the wired zone.

Table 3: Programming Values (continued)

Program Address	Description	Factory Default Value	Program Value
56	RF Key fob 2 ID Number	000000000	000000000 = Disabled Allows 000000001 to 999999999 ID numbers
57	RF Key fob 3 ID Number	000000000	000000000 = Disabled Allows 000000001 to 999999999 ID numbers
58	RF Key fob 4 ID Number	000000000	000000000 = Disabled Allows 000000001 to 999999999 ID numbers
59	RF Key fob 5 ID Number	000000000	000000000 = Disabled Allows 000000001 to 999999999 ID numbers
60	RF Key fob 6 ID Number	000000000	000000000 = Disabled Allows 000000001 to 999999999 ID numbers
99	Return to factory default values	0	18 Enter this value to return all values except the Master Code to the factory default values. Use this function for installation and maintenance. Refer to <i>Section 3.5 Resetting Default Values</i> on page 14 to return the Master Code to its default value.

Table 4: Zone Types

Type	Description
Instant	When the system is armed, faulting an Instant zone causes an alarm.
Delay	When the system is armed, faulting this zone causes an alarm after the Entry or Exit Delay time setting expires.
24-hour	This zone is always active. Faulting this zone always causes an alarm.
Follower	When the system is armed and a Delay zone is not faulted, faulting this zone causes an alarm. If a Delay zone is faulted, an alarm occurs after the delay time.
Silent Zone	When the system is armed, faulting a Silent zone causes a Silent alarm. The keypad is silent and shows no alarm output, but the DS6R2 sends an alarm event to the central station.
Perimeter Zone	When the perimeter is armed, faulting a Perimeter zone causes an alarm.
Perimeter Delay Zone	When the perimeter is armed, faulting this zone causes an alarm after the Entry or Exit Delay time setting expires.
Bypass	<p>If a zone is programmed to bypass when arming the system:</p> <ol style="list-style-type: none"> 1. Enter your PIN. 2. Press the [Bypass] key. 3. Enter the zone number. 4. Press [ON] to bypass this zone. <p>The bypass condition clears when the system is disarmed. A 24-hour zone type cannot be bypassed. All other zone types can be bypassed.</p>
Shunt	If a zone is programmed for Zone Shunt, only the first zone faulted causes an alarm. All other faults during this armed period are ignored. The Zone Shunt clears when the system is disarmed.
Request-to-exit (REX)	<p>When this zone is disarmed, activating this input activates the output programmed to follow the Door Unlock Time setting.</p> <p>If Zone 6 is programmed to 8=REX, Door Unlock activates after Zone 6 is activated.</p>

3.4 Programming Wireless Devices

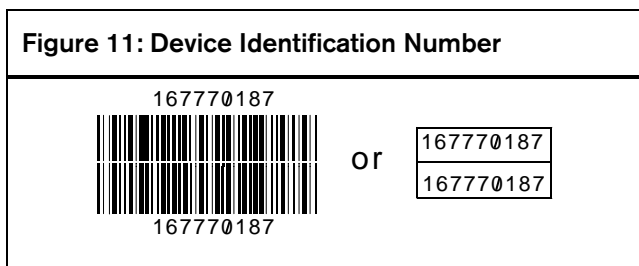
The DS6R2 supports one RF3212 or RF3212E Wireless Receiver. Mount the receiver up to 20 m (65.7 ft) from the DS6R2.

The DS6R2 supports up to 6 key fobs and 18 wireless devices, including motion detectors, smoke detectors, and door contacts.

You can assign up to three wireless devices to a zone. Refer to *Table 5*.

RF Zone	Program Address	Wireless Device
1	37	Device 1
	38	Device 2
	39	Device 3
2	40	Device 1
	41	Device 2
	42	Device 3
3	43	Device 1
	44	Device 2
	45	Device 3
4	46	Device 1
	47	Device 2
	48	Device 3
5	49	Device 1
	50	Device 2
	51	Device 3
6	52	Device 1
	53	Device 2
	54	Device 3
N/A	55	Key fob 1
N/A	56	Key fob 2
N/A	57	Key fob 3
N/A	58	Key fob 4
N/A	59	Key fob 5
N/A	60	Key fob 6

Each wireless device is labeled with a unique, nine-digit ID. Refer to *Figure 11*.



To add a wireless device to the system:

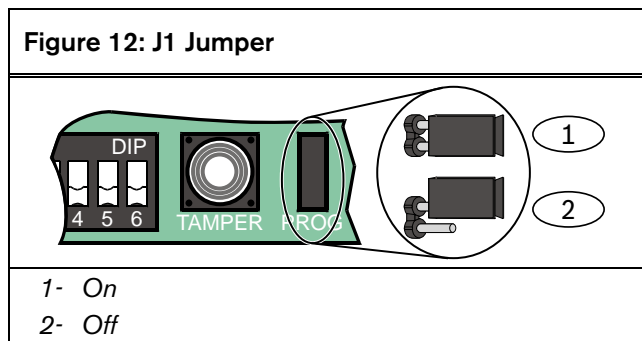
1. Enter Programming Mode.
2. Select the appropriate program address. Refer to *Table 5*.
3. Enter the nine-digit ID for the wireless device.
4. For key fobs, set *Program Address 35* to 1. This setting enables up to six key fobs. Refer to *Table 3* on page 11.

You cannot assign the Master Code to a key fob. Assign each key fob to a different user. All Exit Delay and Entry Delay times operate as if the DS6R2 was armed or disarmed using a standard user code.

3.5 Resetting Default Values

3.5.1. Reset the Master Code

1. Remove power from the DS6R2.
2. Place the J1 jumper across both pins (ON). Refer to *Figure 12*.



3. Reapply power to the DS6R2.
4. Remove the J1 jumper (OFF).

3.5.2. Reset Programming Default Values

1. Enter Programming Mode.
2. Enter [9][9][*] for *Program Address 99*.
3. Enter 18 for the programming value ([1][8]).
4. Press and hold [*] for 3 sec to exit from Programming Mode.

The DS6R2 resets all programming values to the original factory defaults.

4.0 Wireless Maintenance

4.1 Wireless Device Test Mode



Disarm the system before using Test Mode. The DS6R2 ignores all zone input while in Test Mode. All keys function normally.

Use Test Mode to check the signal strength of the wireless receiver. The DS6R2 LEDs indicate if the location of the receiver is acceptable, marginal, or out of range.

To enter Test Mode:

1. Enter the Master Code.
2. Press and hold [#] for three seconds. Zone LEDs 4, 5 and 6 flash quickly to indicate that you entered Test Mode. Zone LEDs 1, 2, and 3 indicate signal strength. Refer to *Table 6* to interpret LED indications.

Table 6: Wireless Signal Strength

LED	Signal Strength
1	Poor, relocate RF receiver
1 and 2	Marginal, relocate RF receiver
1, 2, and 3	Good

3. To exit from Test Mode:
 - Press and hold [#] for 3 sec, or
 - Wait 3 min for the DS6R2 to exit automatically from Test Mode.

The LEDs return to their previous condition after exiting from Test Mode.

4.2 Low Battery Trouble

The DS6R2 beeps twice every minute when it receives a low battery signal from the wireless receiver. The LED for the zone with the low battery condition flashes once each second.

If the Reset button is pressed, the DS6R2 ignores the low battery condition for up to eight hours. If, after eight hours, the low battery condition is still present, the DS6R2 starts beeping again.

4.3 Supervisory Trouble

You can program the DS6R2 to ignore Supervisory Trouble conditions for 12 or 24 hours. After the programmed time, the DS6R2 beeps once each minute. The corresponding zone LED flashes once each second. When the supervisory condition clears, the flashing and beeping stop.

Program Address 36 sets the Supervisory Trouble time. Refer to *Table 3* on page 11.

5.0 Specifications

Table 7: DS6R2 Specifications

Dimensions:	11.8 cm x 12.4 cm x 3 cm (4.7 in. X 4.9 in. x 1.2 in.)
Weight:	0.5 kg (17 oz)
Operating Temperature:	-10°C to +50°C (-4°F to +122°F)
Relative Humidity :	0 to 93% non-condensing
Operating Voltage:	9 VDC to 15 VDC
Zones:	Normally-open (NO) or normally-closed (NC) zones.
Zone Response Time:	500 ms
Zone EOL Resistor:	10 kΩ
Output Relay:	Normally open (NO) or normally closed (NC). Contacts rated for 3 A at 28 VDC
Solid State Outputs:	Two DC current sink outputs. 250 mA current sink maximum per output at 0.1VDC saturation. The operating voltage cannot exceed 15 VDC.
Compatible Wireless Receivers:	RF3212 and RF3212E
Tamper:	Built-in cover and wall tamper

6.0 RS-485 Bus Address

Assign a unique address to each device connected to the RS-485 bus.

Address	DIP Switch Number ● = DIP switch ON						
	0	1	2	3	4	5	6
001							●
002						●	
003						●	●
004					●		
005					●		●
006					●	●	
007					●	●	●
008				●			
009				●			●
010				●		●	
011				●		●	●
012				●	●		
013				●	●		●
014				●	●	●	
015				●	●	●	●
016			●				
017			●				●
018			●			●	
019			●			●	●
020			●		●		
021			●		●		●
022			●		●	●	
023			●		●	●	●
024			●	●			
025			●	●			●
026			●	●		●	
027			●	●		●	●
028			●	●	●		
029			●	●	●		●
030			●	●	●	●	
031			●	●	●	●	●
032		●					
033		●					●
034		●				●	
035		●				●	●
036		●			●		
037		●			●		●
038		●			●	●	
039		●			●	●	●
040		●		●			

Address	DIP Switch Number ● = DIP switch ON						
	0	1	2	3	4	5	6
041		●		●			●
042		●		●		●	
043		●		●		●	●
044		●		●	●		
045		●		●	●		●
046		●		●	●	●	
047		●		●	●	●	●
048		●	●				
049		●	●				●
050		●	●			●	
051		●	●			●	●
052		●	●		●		
053		●	●		●		●
054		●	●		●	●	
055		●	●		●	●	●
056		●	●	●			
057		●	●	●			●
058		●	●	●		●	
059		●	●	●		●	●
060		●	●	●	●		
061		●	●	●	●		●
062		●	●	●	●	●	
063		●	●	●	●	●	●
064	●						
065	●						●
066	●					●	
067	●					●	●
068	●				●		
069	●				●		●
070	●				●	●	
071	●				●	●	●
072	●			●			
073	●			●			●
074	●			●		●	
075	●			●		●	●
076	●			●	●		
077	●			●	●		●
078	●			●	●	●	
079	●			●	●	●	●
080	●		●				

Address	DIP Switch Number ● = DIP switch ON						
	0	1	2	3	4	5	6
081	●		●				●
082	●		●			●	
083	●		●			●	●
084	●		●		●		
085	●		●		●		●
086	●		●		●	●	
087	●		●		●	●	●
088	●		●	●			
089	●		●	●			●
090	●		●	●		●	
091	●		●	●		●	●
092	●		●	●	●		
093	●		●	●	●		●
094	●		●	●	●	●	
095	●		●	●	●	●	●
096	●	●					
097	●	●					●
098	●	●				●	
099	●	●				●	●
100	●	●			●		
101	●	●			●		●
102	●	●			●	●	
103	●	●			●	●	●
104	●	●		●			
105	●	●		●			●
106	●	●		●		●	
107	●	●		●		●	●
108	●	●		●	●		
109	●	●		●	●		●
110	●	●		●	●	●	
111	●	●		●	●	●	●
112	●	●	●				
113	●	●	●				●
114	●	●	●			●	
115	●	●	●			●	●
116	●	●	●		●		
117	●	●	●		●		●
118	●	●	●		●	●	
119	●	●	●		●	●	●
120	●	●	●	●			

Notes

Bosch Security Systems, Inc.
130 Perinton Parkway
Fairport, NY 14450-9199 USA
www.boschsecurity.com

© 2008 Bosch Security Systems, Inc.
F01U081960-01



BOSCH