

D9412GV3/D7412GV3 v8.11 and Higher



EN | Program Record Sheet
Control Panel



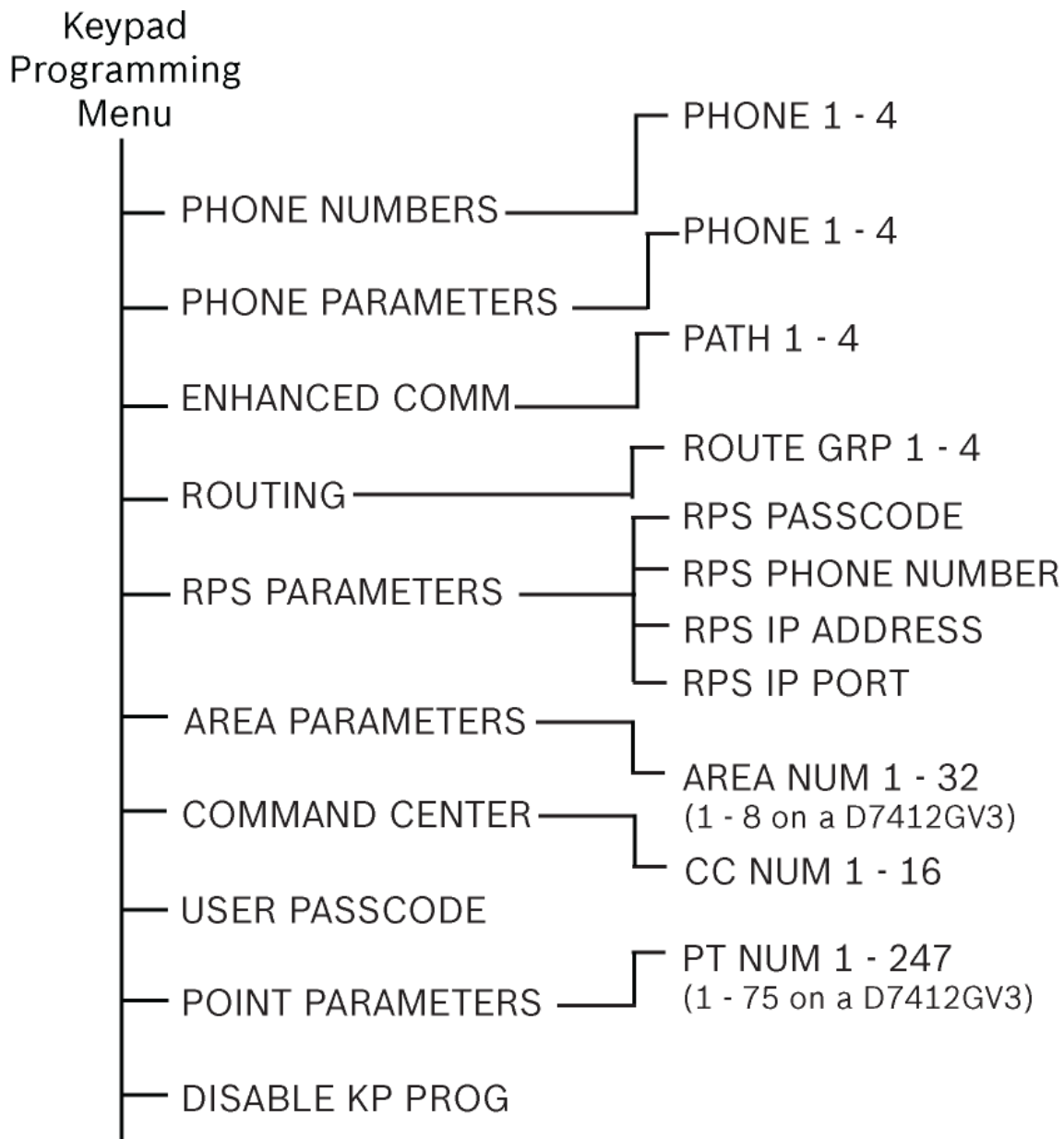
BOSCH

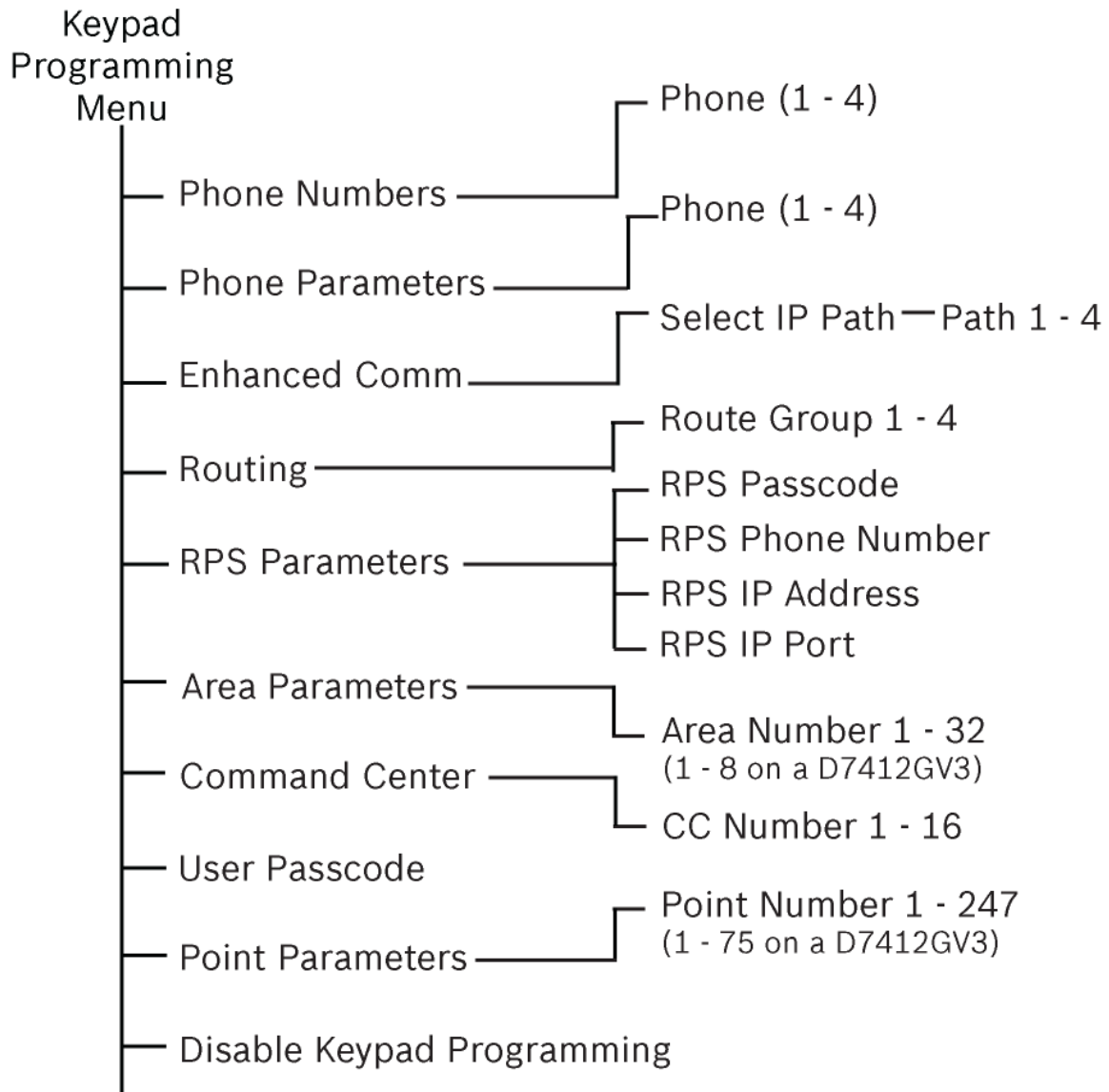
This Program Record Sheet contains the entries found in the new record of the Remote Programming Software and in the Local Keypad Programming menu. It includes all custom options. For a list of program items you can set using Keypad Programming, refer to *Keypad Programming Menu Structure for the D1255 Keypad* on page 2 and *Keypad Programming Menu Structure for the D1260* on page 3.



Please note that the D7212GV3 Control Panel has different capabilities and different programming requirements than the D9412GV3 and D7412GV3 Control Panels. Using this program record sheet to program a D7212GV3 might cause unexpected results. **Please refer to the appropriate program record sheet when programming your control panel.**

Keypad Programming Menu Structure for the D1255 Keypad



Keypad Programming Menu Structure for the D1260

SUMMARY ACCOUNT INFORMATION

Subscriber Name _____ Date _____
 Address _____
 City / State / Zip _____
 Premises Phone _____
 Installer Name _____ Record Name _____
 Control Panel Location _____ Phone # _____
 Aux Power Current Load _____ mA AC Voltage _____ VAC Battery Voltage _____ VDC
 Earth Ground Location _____ RJ31X/RJ38X _____
 Transformer Location _____
 Bell/Siren Locations _____
 Panel IP Address and Port _____

| Area | Account # | Area Description |
|------|-----------|-------------------------|
| 1 | _____ | _____ _____ _____ |
| 2 | _____ | _____ _____ _____ |
| 3 | _____ | _____ _____ _____ |
| 4 | _____ | _____ _____ _____ |
| 5 | _____ | _____ _____ _____ |
| 6 | _____ | _____ _____ _____ |
| 7 | _____ | _____ _____ _____ |
| 8 | _____ | _____ _____ _____ |

Default values are shown in () or in **bold**

Panel and Area Wide Parameters

| Area | Account # | Area Description |
|------|-----------|-------------------------|
| 9 | _____ | _____ _____ _____ |
| 10 | _____ | _____ _____ _____ |
| 11 | _____ | _____ _____ _____ |
| 12 | _____ | _____ _____ _____ |
| 13 | _____ | _____ _____ _____ |
| 14 | _____ | _____ _____ _____ |
| 15 | _____ | _____ _____ _____ |
| 16 | _____ | _____ _____ _____ |
| 17 | _____ | _____ _____ _____ |
| 18 | _____ | _____ _____ _____ |
| 19 | _____ | _____ _____ _____ |
| 20 | _____ | _____ _____ _____ |
| 21 | _____ | _____ _____ _____ |



The D9412GV3 supports up to 32 areas.
The D7412GV3 supports up to 8 areas.

Panel and Area Wide Parameters

Default values are shown in () or in **bold**

| Area | Account # | Area Description |
|-----------|-----------|-------------------------|
| 22 | _____ | _____ _____ _____ |
| 25 | _____ | _____ _____ _____ |
| 26 | _____ | _____ _____ _____ |
| 27 | _____ | _____ _____ _____ |
| 28 | _____ | _____ _____ _____ |
| 29 | _____ | _____ _____ _____ |
| 30 | _____ | _____ _____ _____ |
| 31 | _____ | _____ _____ _____ |
| 32 | _____ | _____ _____ _____ |



The D9412GV3 supports up to 32 areas.
The D7412GV3 supports up to 8 areas.

Default values are shown in () or in **bold**

Panel and Area Wide Parameters

Panel Wide Parameters

Phone

| | | |
|---------|---|-------|
| Phone 1 | Modem IIIa² /Contact ID | ----- |
| Phone 2 | Modem IIIa² /Contact ID | ----- |
| Phone 3 | Modem IIIa² /Contact ID | ----- |
| Phone 4 | Modem IIIa² /Contact ID | ----- |

Phone Parameters

| | | | |
|---------------------|-----------------|-----------------|-----------------|
| Expand Test Report | Yes / No | Alarm On Fail | Yes / No |
| Point/User Flag | Yes / No | Buzz On Fail | Yes / No |
| DTMF Dialing | Yes / No | Two Phone Lines | Yes / No |
| Phone Supv Time (0) | _____ | | |

Routing

Routing Options: No Device, Phone 1, Phone 2, Phone 3, Phone 4, SDI 88 Path 1, SDI 88 Path 2, SDI 88 Path 3, SDI 88 Path 4, SDI 92 Path 1, SDI 92 Path 2, SDI 92 Path 3, SDI 92 Path 4)

| | | Route 1 | Route 2 | Route 3 | Route 4 |
|----------------|-------------|---------|---------|---------|---------|
| Primary Device | (No Device) | _____ | _____ | _____ | _____ |
| Backup Device | (No Device) | _____ | _____ | _____ | _____ |

Fire Reports

| | Route 1 | Route 2 | Route 3 | Route 4 |
|------------------------------|-----------------|-----------------|-----------------|-----------------|
| Fire Alarm | Yes / No | Yes / No | Yes / No | Yes / No |
| Fire Restoral* (After Alarm) | Yes / No | Yes / No | Yes / No | Yes / No |
| Fire Missing | Yes / No | Yes / No | Yes / No | Yes / No |
| Fire Trouble | Yes / No | Yes / No | Yes / No | Yes / No |
| Fire Supervision | Yes / No | Yes / No | Yes / No | Yes / No |
| Fire Restoral* | Yes / No | Yes / No | Yes / No | Yes / No |
| Fire Cancel | Yes / No | Yes / No | Yes / No | Yes / No |
| Fire Supervision Missing | Yes / No | Yes / No | Yes / No | Yes / No |
| Fire Supervision Restoral | Yes / No | Yes / No | Yes / No | Yes / No |

Burglar Reports

| | | | | |
|-------------------------------|-----------------|-----------------|-----------------|-----------------|
| Alarm Report | Yes / No | Yes / No | Yes / No | Yes / No |
| Burg Restore | Yes / No | Yes / No | Yes / No | Yes / No |
| Duress | Yes / No | Yes / No | Yes / No | Yes / No |
| Missing Alarm | Yes / No | Yes / No | Yes / No | Yes / No |
| User Code Tamper | Yes / No | Yes / No | Yes / No | Yes / No |
| Trouble Report** | Yes / No | Yes / No | Yes / No | Yes / No |
| Missing Trouble | Yes / No | Yes / No | Yes / No | Yes / No |
| Non-Fire Supervision | Yes / No | Yes / No | Yes / No | Yes / No |
| Point Bus Fail | Yes / No | Yes / No | Yes / No | Yes / No |
| Point Bus Restoral | Yes / No | Yes / No | Yes / No | Yes / No |
| Non-Fire Cancel | Yes / No | Yes / No | Yes / No | Yes / No |
| Alarm Restore | Yes / No | Yes / No | Yes / No | Yes / No |
| Supervision Missing | Yes / No | Yes / No | Yes / No | Yes / No |
| Unverified Event [†] | Yes / No | Yes / No | Yes / No | Yes / No |

Routing Table continued on next page

* Restoral after Trb/Msg/Sup/Bypass. Refer to Fire Supervision Res Event Type prompt in AUXPARAM > Miscellaneous for further programming information.

** Trouble Reports include Point Low Battery conditions from Premises RF Points.

† This event is available only with the D9412GV3 and is not reported using Contact ID format. Additionally, this event will not produce a corresponding Restoral event.

Heavy outline indicates parameters are available only when View Events is programmed **Yes**.

Panel and Area Wide Parameters

Default values are shown in () or in **bold**

Panel Wide Parameters (continued)

Routing (continued)

| User Reports | Route 1 | Route 2 | Route 3 | Route 4 |
|-----------------------------|----------|----------|----------|----------|
| Point Bypass/Command Bypass | Yes / No | Yes / No | Yes / No | Yes / No |
| Forced Point | Yes / No | Yes / No | Yes / No | Yes / No |
| Point Opening | Yes / No | Yes / No | Yes / No | Yes / No |
| Point Closing | Yes / No | Yes / No | Yes / No | Yes / No |
| Was Force Armed | Yes / No | Yes / No | Yes / No | Yes / No |
| Fail To Open | Yes / No | Yes / No | Yes / No | Yes / No |
| Fail To Close | Yes / No | Yes / No | Yes / No | Yes / No |
| Extend Close Time | Yes / No | Yes / No | Yes / No | Yes / No |
| Opening Report | Yes / No | Yes / No | Yes / No | Yes / No |
| Forced Close | Yes / No | Yes / No | Yes / No | Yes / No |
| Closing Report | Yes / No | Yes / No | Yes / No | Yes / No |
| Forced Close Perim Instant | Yes / No | Yes / No | Yes / No | Yes / No |
| Forced Close Perim Delay | Yes / No | Yes / No | Yes / No | Yes / No |
| Perimeter Instant Armed | Yes / No | Yes / No | Yes / No | Yes / No |
| Perimeter Delay Armed | Yes / No | Yes / No | Yes / No | Yes / No |
| Send User Text | Yes / No | Yes / No | Yes / No | Yes / No |

Test Reports

| | | | | |
|---------------------------------|----------|----------|----------|----------|
| S: Alarm | Yes / No | Yes / No | Yes / No | Yes / No |
| S: Trouble | Yes / No | Yes / No | Yes / No | Yes / No |
| S: Supervision | Yes / No | Yes / No | Yes / No | Yes / No |
| Status Report | Yes / No | Yes / No | Yes / No | Yes / No |
| S: Open | Yes / No | Yes / No | Yes / No | Yes / No |
| S: Close | Yes / No | Yes / No | Yes / No | Yes / No |
| Test Report* | Yes / No | Yes / No | Yes / No | Yes / No |
| S: Perimeter Instant | Yes / No | Yes / No | Yes / No | Yes / No |
| S: Perimeter Delay | Yes / No | Yes / No | Yes / No | Yes / No |
| S: Fire Supervision | Yes / No | Yes / No | Yes / No | Yes / No |
| S: Fire Alarm | Yes / No | Yes / No | Yes / No | Yes / No |
| S: Fire Trouble | Yes / No | Yes / No | Yes / No | Yes / No |
| S: Missing Fire (Trouble) | Yes / No | Yes / No | Yes / No | Yes / No |
| S: Missing Burglary ((Trouble) | Yes / No | Yes / No | Yes / No | Yes / No |
| S: Missing Burglary (Alarm) | Yes / No | Yes / No | Yes / No | Yes / No |
| S: Fire Supervision Missing | Yes / No | Yes / No | Yes / No | Yes / No |
| S: Burglary Supervision Missing | Yes / No | Yes / No | Yes / No | Yes / No |
| S: Door Left Open | Yes / No | Yes / No | Yes / No | Yes / No |

Routing Table continued on next page

* Refer to the D9412GV3/D7412GV3 Program Entry Guide (P/N: F01U143071) for additional information on how to generate off-normal test reports.

Default values are shown in () or in **bold**

Panel and Area Wide Parameters

Panel Wide Parameters (continued)**Routing (continued)**

| Diagnostic Reports | Route 1 | Route 2 | Route 3 | Route 4 |
|---------------------------|-----------------|-----------------|-----------------|-----------------|
| SDI Device Failure | Yes / No | Yes / No | Yes / No | Yes / No |
| SDI Device Restoral | Yes / No | Yes / No | Yes / No | Yes / No |
| Watchdog Reset | Yes / No | Yes / No | Yes / No | Yes / No |
| Parameter Checksum Fail | Yes / No | Yes / No | Yes / No | Yes / No |
| Reboot | Yes / No | Yes / No | Yes / No | Yes / No |
| Phone Line Fail | Yes / No | Yes / No | Yes / No | Yes / No |
| Phone Line Restoral | Yes / No | Yes / No | Yes / No | Yes / No |
| AC Failure | Yes / No | Yes / No | Yes / No | Yes / No |
| AC Restoral | Yes / No | Yes / No | Yes / No | Yes / No |
| Battery Missing | Yes / No | Yes / No | Yes / No | Yes / No |
| Battery Low | Yes / No | Yes / No | Yes / No | Yes / No |
| Battery Restoral | Yes / No | Yes / No | Yes / No | Yes / No |
| Route Comm Fail | Yes / No | Yes / No | Yes / No | Yes / No |
| Route Comm Restore | Yes / No | Yes / No | Yes / No | Yes / No |
| Checksum Fail | Yes / No | Yes / No | Yes / No | Yes / No |
| Network Fail | Yes / No | Yes / No | Yes / No | Yes / No |
| Network Restoral | Yes / No | Yes / No | Yes / No | Yes / No |
| Network Condition | Yes / No | Yes / No | Yes / No | Yes / No |

Relay Reports

| | | | | |
|--------------|----------|----------|----------|----------|
| Sensor Reset | Yes / No | Yes / No | Yes / No | Yes / No |
| Relay Set | Yes / No | Yes / No | Yes / No | Yes / No |
| Relay Reset | Yes / No | Yes / No | Yes / No | Yes / No |

Auto Function Reports

| | | | | |
|-----------------|----------|----------|----------|----------|
| Sked Executed | Yes / No | Yes / No | Yes / No | Yes / No |
| Sked Changed | Yes / No | Yes / No | Yes / No | Yes / No |
| Fail to Execute | Yes / No | Yes / No | Yes / No | Yes / No |

RPS Reports

| | | | | |
|---------------------|----------|----------|----------|----------|
| Event Log Threshold | Yes / No | Yes / No | Yes / No | Yes / No |
| Event Log Overflow | Yes / No | Yes / No | Yes / No | Yes / No |
| Parameters Changed | Yes / No | Yes / No | Yes / No | Yes / No |
| RPS Access OK | Yes / No | Yes / No | Yes / No | Yes / No |
| RPS Access Fail | Yes / No | Yes / No | Yes / No | Yes / No |
| Remote Reset | Yes / No | Yes / No | Yes / No | Yes / No |
| Program Access OK | Yes / No | Yes / No | Yes / No | Yes / No |
| Program Access Fail | Yes / No | Yes / No | Yes / No | Yes / No |

Point Reports

| | | | | |
|------------------------|-----------------|-----------------|-----------------|-----------------|
| Service Start | Yes / No | Yes / No | Yes / No | Yes / No |
| Service End | Yes / No | Yes / No | Yes / No | Yes / No |
| Fire Walk Start | Yes / No | Yes / No | Yes / No | Yes / No |
| Fire Walk End | Yes / No | Yes / No | Yes / No | Yes / No |
| Walk Test Start | Yes / No | Yes / No | Yes / No | Yes / No |
| Walk Test End | Yes / No | Yes / No | Yes / No | Yes / No |
| Extra Point | Yes / No | Yes / No | Yes / No | Yes / No |
| Send Point Text | Yes / No | Yes / No | Yes / No | Yes / No |
| RF Low Battery | Yes / No | Yes / No | Yes / No | Yes / No |
| RF Low Battery Restore | Yes / No | Yes / No | Yes / No | Yes / No |

Routing Table continued on next page

Panel and Area Wide Parameters

Default values are shown in () or in **bold**

Panel Wide Parameters (continued)

Routing (continued)

| User Change Reports | Route 1 | Route 2 | Route 3 | Route 4 |
|---------------------|-----------------|-----------------|-----------------|-----------------|
| Date Changed | Yes / No | Yes / No | Yes / No | Yes / No |
| Time Changed | Yes / No | Yes / No | Yes / No | Yes / No |
| Delete User | Yes / No | Yes / No | Yes / No | Yes / No |
| User Code Change | Yes / No | Yes / No | Yes / No | Yes / No |
| Area Watch | Yes / No | Yes / No | Yes / No | Yes / No |
| Card Assigned | Yes / No | Yes / No | Yes / No | Yes / No |
| Change Level | Yes / No | Yes / No | Yes / No | Yes / No |

Access Reports

| | | | | |
|----------------|-----------------|-----------------|-----------------|-----------------|
| Access Granted | Yes / No | Yes / No | Yes / No | Yes / No |
| No Entry | Yes / No | Yes / No | Yes / No | Yes / No |
| Door Left Open | Yes / No | Yes / No | Yes / No | Yes / No |
| Cycle Door | Yes / No | Yes / No | Yes / No | Yes / No |
| Door Unlocked | Yes / No | Yes / No | Yes / No | Yes / No |
| Door Secure | Yes / No | Yes / No | Yes / No | Yes / No |
| Door Request | Yes / No | Yes / No | Yes / No | Yes / No |
| Door Locked | Yes / No | Yes / No | Yes / No | Yes / No |

Power Supervision

| | |
|--------------------------|--|
| AC Fail Time (1:00) | _____ |
| AC Fail Display (60) | _____ |
| AC Fail/Restoral Report | Yes / No |
| AC Tag Along | Yes / No |
| AC/Battery Buzz | Yes / No |
| Bat Fail/Restoral Report | Yes / No |
| Resend AC Fail | No Report / every 6hrs / every 12hrs |

Default values are shown in () or in **bold**

Panel and Area Wide Parameters


Panel Wide Parameters (continued)

Printer Parameters

| | Address #17 | | | | Address #18 [†] | | | | Address #19 | | | |
|--|-------------|----|----|----|--------------------------|----|----|----|-------------|----|----|----|
| Area Assignment (1) Supervision Scope* | Yes / No | | | | Yes / No | | | | Yes / No | | | |
| Areas in Custom Scope (As shown in the Areas in Scope dialog box in RPS) Note: The D7412GV3 Control Panels only use Areas 1 through 8. [†] | 1 | 9 | 17 | 25 | 1 | 9 | 17 | 25 | 1 | 9 | 17 | 25 |
| | 2 | 10 | 18 | 26 | 2 | 10 | 18 | 26 | 2 | 10 | 18 | 26 |
| | 3 | 11 | 19 | 27 | 3 | 11 | 19 | 27 | 3 | 11 | 19 | 27 |
| | 4 | 12 | 20 | 28 | 4 | 12 | 20 | 28 | 4 | 12 | 20 | 28 |
| | 5 | 13 | 21 | 29 | 5 | 13 | 21 | 29 | 5 | 13 | 21 | 29 |
| | 6 | 14 | 22 | 30 | 6 | 14 | 22 | 30 | 6 | 14 | 22 | 30 |
| | 7 | 15 | 23 | 31 | 7 | 15 | 23 | 31 | 7 | 15 | 23 | 31 |
| | 8 | 16 | 24 | 32 | 8 | 16 | 24 | 32 | 8 | 16 | 24 | 32 |
| Fire Events | Yes / No | | | | Yes / No | | | | Yes / No | | | |
| Burglar Events | Yes / No | | | | Yes / No | | | | Yes / No | | | |
| Access Events | Yes / No | | | | Yes / No | | | | Yes / No | | | |
| User Events | Yes / No | | | | Yes / No | | | | Yes / No | | | |
| Test Events | Yes / No | | | | Yes / No | | | | Yes / No | | | |
| Diagnostic Events | Yes / No | | | | Yes / No | | | | Yes / No | | | |
| Auto Function Events | Yes / No | | | | Yes / No | | | | Yes / No | | | |
| RPS Events | Yes / No | | | | Yes / No | | | | Yes / No | | | |
| Relay Events | Yes / No | | | | Yes / No | | | | Yes / No | | | |
| Point Events | Yes / No | | | | Yes / No | | | | Yes / No | | | |
| User Change Events | Yes / No | | | | Yes / No | | | | Yes / No | | | |

* Scope Options: Account, Area, Panel-Wide, Custom, No Printer (Default = No Printer).

† Addresses 18 and 19 are available with the D9412GV3 only. You must circle all applicable areas when choosing the **CUSTOM** option.

 Double outline indicates parameters are individually programmable only when Scope is programmed CUSTOM.

RPS Parameters

- RPS Passcode (999999) _____
- Log % Full (0) _____
- Contact RPS If Log % Full Yes / No
- RPS Call Back Yes / No
- RPS Line Monitor Yes / No
- Answer Armed (7) _____
- Answer Disarmed (7) _____
- RPS Phone: _____
- RPS Modem Speed 300, **1200**, 2400

Miscellaneous

- Duress Type 0, 1, 2, or 3
- Cancel Reports Yes / No
- Call for Service Text
(Contact your Dealer): _____

Panel and Area Wide Parameters

Default values are shown in () or in **bold**

Area Wide Parameters

Area Parameters (Areas 1 – 8)

| | Area 1 | Area 2 | Area 3 | Area 4 | Area 5 | Area 6 | Area 7 | Area 8 |
|-----------------------|----------|----------|----------|----------|----------|----------|----------|----------|
| Area On | Yes / No | Yes / No | Yes / No | Yes / No | Yes / No | Yes / No | Yes / No | Yes / No |
| Account Number (0000) | _____ | _____ | _____ | _____ | _____ | _____ | _____ | _____ |
| FA Bypass Max (1) | _____ | _____ | _____ | _____ | _____ | _____ | _____ | _____ |
| Delay Res | Yes / No | Yes / No | Yes / No | Yes / No | Yes / No | Yes / No | Yes / No | Yes / No |
| Exit Tone | Yes / No | Yes / No | Yes / No | Yes / No | Yes / No | Yes / No | Yes / No | Yes / No |
| Exit Dly Time (60) | _____ | _____ | _____ | _____ | _____ | _____ | _____ | _____ |
| Auto Watch | Yes / No | Yes / No | Yes / No | Yes / No | Yes / No | Yes / No | Yes / No | Yes / No |
| Verify Time (60) | _____ | _____ | _____ | _____ | _____ | _____ | _____ | _____ |
| Duress Enable | Yes / No | Yes / No | Yes / No | Yes / No | Yes / No | Yes / No | Yes / No | Yes / No |
| Area Type* (Regular) | _____ | _____ | _____ | _____ | _____ | _____ | _____ | _____ |
| Two-Man Rule | Yes / No | Yes / No | Yes / No | Yes / No | Yes / No | Yes / No | Yes / No | Yes / No |
| Early Ambush | Yes / No | Yes / No | Yes / No | Yes / No | Yes / No | Yes / No | Yes / No | Yes / No |
| Exit Restart | Yes / No | Yes / No | Yes / No | Yes / No | Yes / No | Yes / No | Yes / No | Yes / No |
| Arm No Exit | Yes / No | Yes / No | Yes / No | Yes / No | Yes / No | Yes / No | Yes / No | Yes / No |
| Exit Warning | Yes / No | Yes / No | Yes / No | Yes / No | Yes / No | Yes / No | Yes / No | Yes / No |
| Entry Warning | Yes / No | Yes / No | Yes / No | Yes / No | Yes / No | Yes / No | Yes / No | Yes / No |

*Area Type options: Regular / Master / Assoc / Shared

Bell Parameters (Areas 1 – 8)

| | Area 1 | Area 2 | Area 3 | Area 4 | Area 5 | Area 6 | Area 7 | Area 8 |
|-------------------------|----------|----------|----------|----------|----------|----------|----------|----------|
| Fire Time (6) | _____ | _____ | _____ | _____ | _____ | _____ | _____ | _____ |
| Fire Pattern** (Pulse) | _____ | _____ | _____ | _____ | _____ | _____ | _____ | _____ |
| Burg Time (6) | _____ | _____ | _____ | _____ | _____ | _____ | _____ | _____ |
| Burg Pattern** (Steady) | _____ | _____ | _____ | _____ | _____ | _____ | _____ | _____ |
| Single Ring | Yes / No | Yes / No | Yes / No | Yes / No | Yes / No | Yes / No | Yes / No | Yes / No |
| Bell Test | Yes / No | Yes / No | Yes / No | Yes / No | Yes / No | Yes / No | Yes / No | Yes / No |

** Pattern options: Steady / Pulse March Time / CA Standard / Temporal Code 3

Open/Close Options (Areas 1 – 8)

| | Area 1 | Area 2 | Area 3 | Area 4 | Area 5 | Area 6 | Area 7 | Area 8 |
|-----------------------|----------|----------|----------|----------|----------|----------|----------|----------|
| Acct O/C | Yes / No | Yes / No | Yes / No | Yes / No | Yes / No | Yes / No | Yes / No | Yes / No |
| Area O/C | Yes / No | Yes / No | Yes / No | Yes / No | Yes / No | Yes / No | Yes / No | Yes / No |
| Disable O/C in Window | Yes / No | Yes / No | Yes / No | Yes / No | Yes / No | Yes / No | Yes / No | Yes / No |
| Auto Close | Yes / No | Yes / No | Yes / No | Yes / No | Yes / No | Yes / No | Yes / No | Yes / No |
| Fail To Open | Yes / No | Yes / No | Yes / No | Yes / No | Yes / No | Yes / No | Yes / No | Yes / No |
| Fail To Close | Yes / No | Yes / No | Yes / No | Yes / No | Yes / No | Yes / No | Yes / No | Yes / No |
| Latest Close Time | 00:00 | 00:00 | 00:00 | 00:00 | 00:00 | 00:00 | 00:00 | 00:00 |
| Restricted O/C | Yes / No | Yes / No | Yes / No | Yes / No | Yes / No | Yes / No | Yes / No | Yes / No |
| Perimeter O/C | Yes / No | Yes / No | Yes / No | Yes / No | Yes / No | Yes / No | Yes / No | Yes / No |

Default values are shown in () or in **bold****Panel and Area Wide Parameters****Area Parameters (Areas 9 – 16)**

(Areas 9 - 16 only with the D9412GV3 Control Panel)

| | Area 9 | Area 10 | Area 11 | Area 12 | Area 13 | Area 14 | Area 15 | Area 16 |
|-----------------------|----------|----------|----------|----------|----------|----------|----------|----------|
| Area On | Yes / No | Yes / No | Yes / No | Yes / No | Yes / No | Yes / No | Yes / No | Yes / No |
| Account Number (0000) | _____ | _____ | _____ | _____ | _____ | _____ | _____ | _____ |
| FA Bypass Max (1) | _____ | _____ | _____ | _____ | _____ | _____ | _____ | _____ |
| Delay Res | Yes / No | Yes / No | Yes / No | Yes / No | Yes / No | Yes / No | Yes / No | Yes / No |
| Exit Tone | Yes / No | Yes / No | Yes / No | Yes / No | Yes / No | Yes / No | Yes / No | Yes / No |
| Exit Dly Time (60) | _____ | _____ | _____ | _____ | _____ | _____ | _____ | _____ |
| Auto Watch | Yes / No | Yes / No | Yes / No | Yes / No | Yes / No | Yes / No | Yes / No | Yes / No |
| Verify Time (60) | _____ | _____ | _____ | _____ | _____ | _____ | _____ | _____ |
| Duress Enable | Yes / No | Yes / No | Yes / No | Yes / No | Yes / No | Yes / No | Yes / No | Yes / No |
| Area Type* (Regular) | _____ | _____ | _____ | _____ | _____ | _____ | _____ | _____ |
| Two-Man Rule | Yes / No | Yes / No | Yes / No | Yes / No | Yes / No | Yes / No | Yes / No | Yes / No |
| Early Ambush | Yes / No | Yes / No | Yes / No | Yes / No | Yes / No | Yes / No | Yes / No | Yes / No |
| Exit Restart | Yes / No | Yes / No | Yes / No | Yes / No | Yes / No | Yes / No | Yes / No | Yes / No |
| Arm No Exit | Yes / No | Yes / No | Yes / No | Yes / No | Yes / No | Yes / No | Yes / No | Yes / No |
| Exit Warning | Yes / No | Yes / No | Yes / No | Yes / No | Yes / No | Yes / No | Yes / No | Yes / No |
| Entry Warning | Yes / No | Yes / No | Yes / No | Yes / No | Yes / No | Yes / No | Yes / No | Yes / No |

*Area Type options: Regular / Master / Assoc / Shared

Bell Parameters (Areas 9 – 16)

(Areas 9 - 16 only with the D9412GV3 Control Panel)

| | Area 9 | Area 10 | Area 11 | Area 12 | Area 13 | Area 14 | Area 15 | Area 16 |
|-------------------------|----------|----------|----------|----------|----------|----------|----------|----------|
| Fire Time (6) | _____ | _____ | _____ | _____ | _____ | _____ | _____ | _____ |
| Fire Pattern** (Pulse) | _____ | _____ | _____ | _____ | _____ | _____ | _____ | _____ |
| Burg Time (6) | _____ | _____ | _____ | _____ | _____ | _____ | _____ | _____ |
| Burg Pattern** (Steady) | _____ | _____ | _____ | _____ | _____ | _____ | _____ | _____ |
| Single Ring | Yes / No | Yes / No | Yes / No | Yes / No | Yes / No | Yes / No | Yes / No | Yes / No |
| Bell Test | Yes / No | Yes / No | Yes / No | Yes / No | Yes / No | Yes / No | Yes / No | Yes / No |

** Pattern options: Steady / Pulse March Time / CA Standard / Temporal Code 3

Open/Close Options (Areas 9 – 16)

(Areas 9 - 16 only with the D9412GV3 Control Panel)

| | Area 9 | Area 10 | Area 11 | Area 12 | Area 13 | Area 14 | Area 15 | Area 16 |
|-----------------------|----------|----------|----------|----------|----------|----------|----------|----------|
| Acct O/C | Yes / No | Yes / No | Yes / No | Yes / No | Yes / No | Yes / No | Yes / No | Yes / No |
| Area O/C | Yes / No | Yes / No | Yes / No | Yes / No | Yes / No | Yes / No | Yes / No | Yes / No |
| Disable O/C in Window | Yes / No | Yes / No | Yes / No | Yes / No | Yes / No | Yes / No | Yes / No | Yes / No |
| Auto Close | Yes / No | Yes / No | Yes / No | Yes / No | Yes / No | Yes / No | Yes / No | Yes / No |
| Fail To Open | Yes / No | Yes / No | Yes / No | Yes / No | Yes / No | Yes / No | Yes / No | Yes / No |
| Fail To Close | Yes / No | Yes / No | Yes / No | Yes / No | Yes / No | Yes / No | Yes / No | Yes / No |
| Latest Close Time | 00:00 | 00:00 | 00:00 | 00:00 | 00:00 | 00:00 | 00:00 | 00:00 |
| Restricted O/C | Yes / No | Yes / No | Yes / No | Yes / No | Yes / No | Yes / No | Yes / No | Yes / No |
| Perimeter O/C | Yes / No | Yes / No | Yes / No | Yes / No | Yes / No | Yes / No | Yes / No | Yes / No |

Panel and Area Wide ParametersDefault values are shown in () or in **bold****Area Parameters (Areas 17 – 24)**

(Areas 17 - 24 only with the D9412GV3 Control Panel)

| | Area 17 | Area 18 | Area 19 | Area 20 | Area 21 | Area 22 | Area 23 | Area 24 |
|-----------------------|----------|----------|----------|----------|----------|----------|----------|----------|
| Area On | Yes / No | Yes / No | Yes / No | Yes / No | Yes / No | Yes / No | Yes / No | Yes / No |
| Account Number (0000) | _____ | _____ | _____ | _____ | _____ | _____ | _____ | _____ |
| FA Bypass Max (1) | _____ | _____ | _____ | _____ | _____ | _____ | _____ | _____ |
| Delay Res | Yes / No | Yes / No | Yes / No | Yes / No | Yes / No | Yes / No | Yes / No | Yes / No |
| Exit Tone | Yes / No | Yes / No | Yes / No | Yes / No | Yes / No | Yes / No | Yes / No | Yes / No |
| Exit Dly Time (60) | _____ | _____ | _____ | _____ | _____ | _____ | _____ | _____ |
| Auto Watch | Yes / No | Yes / No | Yes / No | Yes / No | Yes / No | Yes / No | Yes / No | Yes / No |
| Verify Time (60) | _____ | _____ | _____ | _____ | _____ | _____ | _____ | _____ |
| Duress Enable | Yes / No | Yes / No | Yes / No | Yes / No | Yes / No | Yes / No | Yes / No | Yes / No |
| Area Type* (Regular) | _____ | _____ | _____ | _____ | _____ | _____ | _____ | _____ |
| Two-Man Rule | Yes / No | Yes / No | Yes / No | Yes / No | Yes / No | Yes / No | Yes / No | Yes / No |
| Early Ambush | Yes / No | Yes / No | Yes / No | Yes / No | Yes / No | Yes / No | Yes / No | Yes / No |
| Exit Restart | Yes / No | Yes / No | Yes / No | Yes / No | Yes / No | Yes / No | Yes / No | Yes / No |
| Arm No Exit | Yes / No | Yes / No | Yes / No | Yes / No | Yes / No | Yes / No | Yes / No | Yes / No |
| Exit Warning | Yes / No | Yes / No | Yes / No | Yes / No | Yes / No | Yes / No | Yes / No | Yes / No |
| Entry Warning | Yes / No | Yes / No | Yes / No | Yes / No | Yes / No | Yes / No | Yes / No | Yes / No |

*Area Type options: Regular / Master / Assoc / Shared

Bell Parameters (Areas 17 – 24)

(Areas 17 - 24 only with the D9412GV3 Control Panel)

| | Area 17 | Area 18 | Area 19 | Area 20 | Area 21 | Area 22 | Area 23 | Area 24 |
|-------------------------|----------|----------|----------|----------|----------|----------|----------|----------|
| Fire Time (6) | _____ | _____ | _____ | _____ | _____ | _____ | _____ | _____ |
| Fire Pattern** (Pulse) | _____ | _____ | _____ | _____ | _____ | _____ | _____ | _____ |
| Burg Time (6) | _____ | _____ | _____ | _____ | _____ | _____ | _____ | _____ |
| Burg Pattern** (Steady) | _____ | _____ | _____ | _____ | _____ | _____ | _____ | _____ |
| Single Ring | Yes / No | Yes / No | Yes / No | Yes / No | Yes / No | Yes / No | Yes / No | Yes / No |
| Bell Test | Yes / No | Yes / No | Yes / No | Yes / No | Yes / No | Yes / No | Yes / No | Yes / No |

** Pattern options: Steady / Pulse March Time / CA Standard / Temporal Code 3

Open/Close Options (Areas 17 – 24)

(Areas 17 - 24 only with the D9412GV3 Control Panel)

| | Area 17 | Area 18 | Area 19 | Area 20 | Area 21 | Area 22 | Area 23 | Area 24 |
|-----------------------|----------|----------|----------|----------|----------|----------|----------|----------|
| Acct O/C | Yes / No | Yes / No | Yes / No | Yes / No | Yes / No | Yes / No | Yes / No | Yes / No |
| Area O/C | Yes / No | Yes / No | Yes / No | Yes / No | Yes / No | Yes / No | Yes / No | Yes / No |
| Disable O/C in Window | Yes / No | Yes / No | Yes / No | Yes / No | Yes / No | Yes / No | Yes / No | Yes / No |
| Auto Close | Yes / No | Yes / No | Yes / No | Yes / No | Yes / No | Yes / No | Yes / No | Yes / No |
| Fail To Open | Yes / No | Yes / No | Yes / No | Yes / No | Yes / No | Yes / No | Yes / No | Yes / No |
| Fail To Close | Yes / No | Yes / No | Yes / No | Yes / No | Yes / No | Yes / No | Yes / No | Yes / No |
| Latest Close Time | 00:00 | 00:00 | 00:00 | 00:00 | 00:00 | 00:00 | 00:00 | 00:00 |
| Restricted O/C | Yes / No | Yes / No | Yes / No | Yes / No | Yes / No | Yes / No | Yes / No | Yes / No |
| Perimeter O/C | Yes / No | Yes / No | Yes / No | Yes / No | Yes / No | Yes / No | Yes / No | Yes / No |

Default values are shown in () or in **bold****Panel and Area Wide Parameters****Area Parameters (Areas 25 – 32)**

(Areas 25 - 32 only with the D9412GV3 Control Panel)

| | Area 25 | Area 26 | Area 27 | Area 28 | Area 29 | Area 30 | Area 31 | Area 32 |
|-----------------------|----------|----------|----------|----------|----------|----------|----------|----------|
| Area On | Yes / No | Yes / No | Yes / No | Yes / No | Yes / No | Yes / No | Yes / No | Yes / No |
| Account Number (0000) | _____ | _____ | _____ | _____ | _____ | _____ | _____ | _____ |
| FA Bypass Max (1) | _____ | _____ | _____ | _____ | _____ | _____ | _____ | _____ |
| Delay Res | Yes / No | Yes / No | Yes / No | Yes / No | Yes / No | Yes / No | Yes / No | Yes / No |
| Exit Tone | Yes / No | Yes / No | Yes / No | Yes / No | Yes / No | Yes / No | Yes / No | Yes / No |
| Exit Dly Time (60) | _____ | _____ | _____ | _____ | _____ | _____ | _____ | _____ |
| Auto Watch | Yes / No | Yes / No | Yes / No | Yes / No | Yes / No | Yes / No | Yes / No | Yes / No |
| Verify Time (60) | _____ | _____ | _____ | _____ | _____ | _____ | _____ | _____ |
| Duress Enable | Yes / No | Yes / No | Yes / No | Yes / No | Yes / No | Yes / No | Yes / No | Yes / No |
| Area Type* (Regular) | _____ | _____ | _____ | _____ | _____ | _____ | _____ | _____ |
| Two-Man Rule | Yes / No | Yes / No | Yes / No | Yes / No | Yes / No | Yes / No | Yes / No | Yes / No |
| Early Ambush | Yes / No | Yes / No | Yes / No | Yes / No | Yes / No | Yes / No | Yes / No | Yes / No |
| Exit Restart | Yes / No | Yes / No | Yes / No | Yes / No | Yes / No | Yes / No | Yes / No | Yes / No |
| Arm No Exit | Yes / No | Yes / No | Yes / No | Yes / No | Yes / No | Yes / No | Yes / No | Yes / No |
| Exit Warning | Yes / No | Yes / No | Yes / No | Yes / No | Yes / No | Yes / No | Yes / No | Yes / No |
| Entry Warning | Yes / No | Yes / No | Yes / No | Yes / No | Yes / No | Yes / No | Yes / No | Yes / No |

*Area Type options: Regular / Master / Assoc / Shared

Bell Parameters (Areas 25 – 32)

(Areas 25 - 32 only with the D9412GV3 Control Panel)

| | Area 25 | Area 26 | Area 27 | Area 28 | Area 29 | Area 30 | Area 31 | Area 32 |
|-------------------------|----------|----------|----------|----------|----------|----------|----------|----------|
| Fire Time (6) | _____ | _____ | _____ | _____ | _____ | _____ | _____ | _____ |
| Fire Pattern** (Pulse) | _____ | _____ | _____ | _____ | _____ | _____ | _____ | _____ |
| Burg Time (6) | _____ | _____ | _____ | _____ | _____ | _____ | _____ | _____ |
| Burg Pattern** (Steady) | _____ | _____ | _____ | _____ | _____ | _____ | _____ | _____ |
| Single Ring | Yes / No | Yes / No | Yes / No | Yes / No | Yes / No | Yes / No | Yes / No | Yes / No |
| Bell Test | Yes / No | Yes / No | Yes / No | Yes / No | Yes / No | Yes / No | Yes / No | Yes / No |

** Pattern options: Steady / Pulse March Time / CA Standard / Temporal Code 3

Open/Close Options (Areas 25 – 32)

(Areas 25 - 32 only with the D9412GV3 Control Panel)

| | Area 25 | Area 26 | Area 27 | Area 28 | Area 29 | Area 30 | Area 31 | Area 32 |
|-----------------------|----------|----------|----------|----------|----------|----------|----------|----------|
| Acct O/C | Yes / No | Yes / No | Yes / No | Yes / No | Yes / No | Yes / No | Yes / No | Yes / No |
| Area O/C | Yes / No | Yes / No | Yes / No | Yes / No | Yes / No | Yes / No | Yes / No | Yes / No |
| Disable O/C in Window | Yes / No | Yes / No | Yes / No | Yes / No | Yes / No | Yes / No | Yes / No | Yes / No |
| Auto Close | Yes / No | Yes / No | Yes / No | Yes / No | Yes / No | Yes / No | Yes / No | Yes / No |
| Fail To Open | Yes / No | Yes / No | Yes / No | Yes / No | Yes / No | Yes / No | Yes / No | Yes / No |
| Fail To Close | Yes / No | Yes / No | Yes / No | Yes / No | Yes / No | Yes / No | Yes / No | Yes / No |
| Latest Close Time | 00:00 | 00:00 | 00:00 | 00:00 | 00:00 | 00:00 | 00:00 | 00:00 |
| Restricted O/C | Yes / No | Yes / No | Yes / No | Yes / No | Yes / No | Yes / No | Yes / No | Yes / No |
| Perimeter O/C | Yes / No | Yes / No | Yes / No | Yes / No | Yes / No | Yes / No | Yes / No | Yes / No |

Panel and Area Wide Parameters

Default values are shown in () or in **bold**


Keypad (Command Center)

Keypad Assignments

| | Address 1 | Address 2 | Address 3 | Address 4 | Address 5 | Address 6 | Address 7 | Address 8 |
|--|---|---|---|---|---|---|---|---|
| Supervision | Yes / No | Yes / No | Yes / No | Yes / No | Yes / No | Yes / No | Yes / No | Yes / No |
| Area Assigned (1) Enhanced | | | | | | | | |
| Command Center ² Scope ¹ | Yes / No | Yes / No | Yes / No | Yes / No | Yes / No | Yes / No | Yes / No | Yes / No |
| Areas in Custom Scope (As shown in the Areas in Scope dialog box in RPS) Note: The D7412GV3 Control Panels only use Areas 1 through 8. [†] | 1 9 17 25 2 10 18 26 3 11 19 27 4 12 20 28 5 13 21 29 6 14 22 30 7 15 23 31 8 16 24 32 | 1 9 17 25 2 10 18 26 3 11 19 27 4 12 20 28 5 13 21 29 6 14 22 30 7 15 23 31 8 16 24 32 | 1 9 17 25 2 10 18 26 3 11 19 27 4 12 20 28 5 13 21 29 6 14 22 30 7 15 23 31 8 16 24 32 | 1 9 17 25 2 10 18 26 3 11 19 27 4 12 20 28 5 13 21 29 6 14 22 30 7 15 23 31 8 16 24 32 | 1 9 17 25 2 10 18 26 3 11 19 27 4 12 20 28 5 13 21 29 6 14 22 30 7 15 23 31 8 16 24 32 | 1 9 17 25 2 10 18 26 3 11 19 27 4 12 20 28 5 13 21 29 6 14 22 30 7 15 23 31 8 16 24 32 | 1 9 17 25 2 10 18 26 3 11 19 27 4 12 20 28 5 13 21 29 6 14 22 30 7 15 23 31 8 16 24 32 | 1 9 17 25 2 10 18 26 3 11 19 27 4 12 20 28 5 13 21 29 6 14 22 30 7 15 23 31 8 16 24 32 |
| Passcode Follows Scope | Yes / No | Yes / No | Yes / No | Yes / No | Yes / No | Yes / No | Yes / No | Yes / No |
| Enter Key Relay (0) | | | | | | | | |
| Enter Key Cycle Door | Yes / No | Yes / No | Yes / No | Yes / No | Yes / No | Yes / No | Yes / No | Yes / No |
| Assign Door (No Door) | | | | | | | | |
| Trouble Tone | Yes / No | Yes / No | Yes / No | Yes / No | Yes / No | Yes / No | Yes / No | Yes / No |
| Entry Tone | Yes / No | Yes / No | Yes / No | Yes / No | Yes / No | Yes / No | Yes / No | Yes / No |
| Exit Tone | Yes / No | Yes / No | Yes / No | Yes / No | Yes / No | Yes / No | Yes / No | Yes / No |
| Arm Area Warning Tone | Yes / No | Yes / No | Yes / No | Yes / No | Yes / No | Yes / No | Yes / No | Yes / No |
| Close Door Warning Tone | Yes / No | Yes / No | Yes / No | Yes / No | Yes / No | Yes / No | Yes / No | Yes / No |
| Idle Scroll Lock | Yes / No | Yes / No | Yes / No | Yes / No | Yes / No | Yes / No | Yes / No | Yes / No |
| Menu Key Lock | Yes / No | Yes / No | Yes / No | Yes / No | Yes / No | Yes / No | Yes / No | Yes / No |
| Abort Display | Yes / No | Yes / No | Yes / No | Yes / No | Yes / No | Yes / No | Yes / No | Yes / No |
| Cancel Display | Yes / No | Yes / No | Yes / No | Yes / No | Yes / No | Yes / No | Yes / No | Yes / No |

¹ Scope Options: Account, Area, Panel-Wide, Custom, No Keypad. Default Address 1 = Panel-Wide; Address 2 to 8 = No Keypad. You must circle all applicable areas when choosing the **Custom** option.

² Set Enhanced Command Center (keypad) prompt to Yes if a D1260 Series Keypad is installed at this address.

 Double outline indicates parameters are individually programmable only when Scope is programmed CUSTOM.

Default values are shown in () or in **bold**

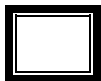
Panel and Area Wide Parameters

Keypad Assignments (continued)

| | Address 9 | Address 10 | Address 11 | Address 12 | Address 13 | Address 14 | Address 15 | Address 16 |
|--|----------------------|-----------------------|-----------------------|-----------------------|-----------------------|-----------------------|-----------------------|-----------------------|
| Supervision | Yes / No | Yes / No | Yes / No | Yes / No | Yes / No | Yes / No | Yes / No | Yes / No |
| Area Assigned (1) Scope ¹ | _____ | _____ | _____ | _____ | _____ | _____ | _____ | _____ |
| Areas in Custom Scope (As shown in the Areas in Scope dialog box in RPS) Note: The D7412GV3 Control Panels only use Areas 1 through 8. [†] | 1 9 17 25 | 1 9 17 25 | 1 9 17 25 | 1 9 17 25 | 1 9 17 25 | 1 9 17 25 | 1 9 17 25 | 1 9 17 25 |
| | 2 10 18 26 | 2 10 18 26 | 2 10 18 26 | 2 10 18 26 | 2 10 18 26 | 2 10 18 26 | 2 10 18 26 | 2 10 18 26 |
| | 3 11 19 27 | 3 11 19 27 | 3 11 19 27 | 3 11 19 27 | 3 11 19 27 | 3 11 19 27 | 3 11 19 27 | 3 11 19 27 |
| | 4 12 20 28 | 4 12 20 28 | 4 12 20 28 | 4 12 20 28 | 4 12 20 28 | 4 12 20 28 | 4 12 20 28 | 4 12 20 28 |
| | 5 13 21 29 | 5 13 21 29 | 5 13 21 29 | 5 13 21 29 | 5 13 21 29 | 5 13 21 29 | 5 13 21 29 | 5 13 21 29 |
| | 6 14 22 30 | 6 14 22 30 | 6 14 22 30 | 6 14 22 30 | 6 14 22 30 | 6 14 22 30 | 6 14 22 30 | 6 14 22 30 |
| | 7 15 23 31 | 7 15 23 31 | 7 15 23 31 | 7 15 23 31 | 7 15 23 31 | 7 15 23 31 | 7 15 23 31 | 7 15 23 31 |
| | 8 16 24 32 | 8 16 24 32 | 8 16 24 32 | 8 16 24 32 | 8 16 24 32 | 8 16 24 32 | 8 16 24 32 | 8 16 24 32 |
| Passcode Follows Scope | Yes / No | Yes / No | Yes / No | Yes / No | Yes / No | Yes / No | Yes / No | Yes / No |
| Enter Key Relay (0) | _____ | _____ | _____ | _____ | _____ | _____ | _____ | _____ |
| Enter Key Cycle Door | Yes / No | Yes / No | Yes / No | Yes / No | Yes / No | Yes / No | Yes / No | Yes / No |
| Assign Door (No Door) | _____ | _____ | _____ | _____ | _____ | _____ | _____ | _____ |
| Trouble Tone | Yes / No | Yes / No | Yes / No | Yes / No | Yes / No | Yes / No | Yes / No | Yes / No |
| Entry Tone | Yes / No | Yes / No | Yes / No | Yes / No | Yes / No | Yes / No | Yes / No | Yes / No |
| Exit Tone | Yes / No | Yes / No | Yes / No | Yes / No | Yes / No | Yes / No | Yes / No | Yes / No |
| Arm Area Warning Tone | Yes / No | Yes / No | Yes / No | Yes / No | Yes / No | Yes / No | Yes / No | Yes / No |
| Close Door Warning Tone | Yes / No | Yes / No | Yes / No | Yes / No | Yes / No | Yes / No | Yes / No | Yes / No |
| Enhanced Command Center ² | Yes / No | Yes / No | Yes / No | Yes / No | Yes / No | Yes / No | Yes / No | Yes / No |
| Idle Scroll Lock | Yes / No | Yes / No | Yes / No | Yes / No | Yes / No | Yes / No | Yes / No | Yes / No |
| Menu Key Lock | Yes / No | Yes / No | Yes / No | Yes / No | Yes / No | Yes / No | Yes / No | Yes / No |
| Abort Display | Yes / No | Yes / No | Yes / No | Yes / No | Yes / No | Yes / No | Yes / No | Yes / No |
| Cancel Display | Yes / No | Yes / No | Yes / No | Yes / No | Yes / No | Yes / No | Yes / No | Yes / No |

¹ Scope Options: Account, Area, Panel-Wide, Custom, No Keypad. Default Address 1 = Panel-Wide; Address 2 to 8 = No Keypad.

² Set Enhanced Command Center (keypad) prompt to Yes if a D1260 Series Keypad is installed at this address.



Double outline indicates parameters are individually programmable only when Scope is programmed CUSTOM. You must circle all applicable areas when choosing the **CUSTOM** option.

Keypad (Command Center) Installation Locations

| | |
|---|----|
| 1 | 9 |
| 2 | 10 |
| 3 | 11 |
| 4 | 12 |
| 5 | 13 |
| 6 | 14 |
| 7 | 15 |
| 8 | 16 |

Panel and Area Wide Parameters

Default values are shown in () or in **bold**

Keypad (continued)

Area Text

| Area 1 | | |
|-------------------|--------------------|-------|
| Area # Is On | (A1 AREA IS ON) | _____ |
| Area # Not Ready | (A1 NOT READY) | _____ |
| Area # Is Off | (A1 AREA IS OFF) | _____ |
| Area # Acct Is On | (A1 ACCOUNT IS ON) | _____ |
| Area # Name | (A1 NAME TEXT) | _____ |
| Area 2 | | |
| Area # Is On | (A2 AREA IS ON) | _____ |
| Area # Not Ready | (A2 NOT READY) | _____ |
| Area # Is Off | (A2 AREA IS OFF) | _____ |
| Area # Acct Is On | (A2 ACCOUNT IS ON) | _____ |
| Area # Name | (A2 NAME TEXT) | _____ |
| Area 3 | | |
| Area # Is On | (A3 AREA IS ON) | _____ |
| Area # Not Ready | (A3 NOT READY) | _____ |
| Area # Is Off | (A3 AREA IS OFF) | _____ |
| Area # Acct Is On | (A3 ACCOUNT IS ON) | _____ |
| Area # Name | (A3 NAME TEXT) | _____ |
| Area 4 | | |
| Area # Is On | (A4 AREA IS ON) | _____ |
| Area # Not Ready | (A4 NOT READY) | _____ |
| Area # Is Off | (A4 AREA IS OFF) | _____ |
| Area # Acct Is On | (A4 ACCOUNT IS ON) | _____ |
| Area # Name | (A4 NAME TEXT) | _____ |
| Area 5 | | |
| Area # Is On | (A5 AREA IS ON) | _____ |
| Area # Not Ready | (A5 NOT READY) | _____ |
| Area # Is Off | (A5 AREA IS OFF) | _____ |
| Area # Acct Is On | (A5 ACCOUNT IS ON) | _____ |
| Area # Name | (A5 NAME TEXT) | _____ |
| Area 6 | | |
| Area # Is On | (A6 AREA IS ON) | _____ |
| Area # Not Ready | (A6 NOT READY) | _____ |
| Area # Is Off | (A6 AREA IS OFF) | _____ |
| Area # Acct Is On | (A6 ACCOUNT IS ON) | _____ |
| Area # Name | (A6 NAME TEXT) | _____ |
| Area 7 | | |
| Area # Is On | (A7 AREA IS ON) | _____ |
| Area # Not Ready | (A7 NOT READY) | _____ |
| Area # Is Off | (A7 AREA IS OFF) | _____ |
| Area # Acct Is On | (A7 ACCOUNT IS ON) | _____ |
| Area # Name | (A7 NAME TEXT) | _____ |
| Area 8 | | |
| Area # Is On | (A8 AREA IS ON) | _____ |
| Area # Not Ready | (A8 NOT READY) | _____ |
| Area # Is Off | (A8 AREA IS OFF) | _____ |
| Area # Acct Is On | (A8 ACCOUNT IS ON) | _____ |
| Area # Name | (A8 NAME TEXT) | _____ |

Default values are shown in () or in bold

Panel and Area Wide Parameters

Keypad (continued)

Additional Area Text Worksheet for areas ___ to ___

Use this worksheet to record up to 24 additional areas. Photocopy this sheet as needed.

| | | |
|-------------------|---------------------------|-------|
| Area ___ | | |
| Area # Is On | (A# AREA IS ON) | _____ |
| Area # Not Ready | (A# NOT READY) | _____ |
| Area # Is Off | (A# AREA IS OFF) | _____ |
| Area # Acct Is On | (A# ACCOUNT IS ON) | _____ |
| Area # Name | (A# NAME TEXT) | _____ |
| Area ___ | | |
| Area # Is On | (A# AREA IS ON) | _____ |
| Area # Not Ready | (A# NOT READY) | _____ |
| Area # Is Off | (A# AREA IS OFF) | _____ |
| Area # Acct Is On | (A# ACCOUNT IS ON) | _____ |
| Area # Name | (A# NAME TEXT) | _____ |
| Area ___ | | |
| Area # Is On | (A# AREA IS ON) | _____ |
| Area # Not Ready | (A# NOT READY) | _____ |
| Area # Is Off | (A# AREA IS OFF) | _____ |
| Area # Acct Is On | (A# ACCOUNT IS ON) | _____ |
| Area # Name | (A# NAME TEXT) | _____ |
| Area ___ | | |
| Area # Is On | (A# AREA IS ON) | _____ |
| Area # Not Ready | (A# NOT READY) | _____ |
| Area # Is Off | (A# AREA IS OFF) | _____ |
| Area # Acct Is On | (A# ACCOUNT IS ON) | _____ |
| Area # Name | (A# NAME TEXT) | _____ |
| Area ___ | | |
| Area # Is On | (A# AREA IS ON) | _____ |
| Area # Not Ready | (A# NOT READY) | _____ |
| Area # Is Off | (A# AREA IS OFF) | _____ |
| Area # Acct Is On | (A# ACCOUNT IS ON) | _____ |
| Area # Name | (A# NAME TEXT) | _____ |
| Area ___ | | |
| Area # Is On | (A# AREA IS ON) | _____ |
| Area # Not Ready | (A# NOT READY) | _____ |
| Area # Is Off | (A# AREA IS OFF) | _____ |
| Area # Acct Is On | (A# ACCOUNT IS ON) | _____ |
| Area # Name | (A# NAME TEXT) | _____ |
| Area ___ | | |
| Area # Is On | (A# AREA IS ON) | _____ |
| Area # Not Ready | (A# NOT READY) | _____ |
| Area # Is Off | (A# AREA IS OFF) | _____ |
| Area # Acct Is On | (A# ACCOUNT IS ON) | _____ |
| Area # Name | (A# NAME TEXT) | _____ |
| Area ___ | | |
| Area # Is On | (A# AREA IS ON) | _____ |
| Area # Not Ready | (A# NOT READY) | _____ |
| Area # Is Off | (A# AREA IS OFF) | _____ |
| Area # Acct Is On | (A# ACCOUNT IS ON) | _____ |
| Area # Name | (Area # Name Text) | _____ |
| Area ___ | | |
| Area # Is On | (A# AREA IS ON) | _____ |
| Area # Not Ready | (A# NOT READY) | _____ |
| Area # Is Off | (A# AREA IS OFF) | _____ |
| Area # Acct Is On | (A# ACCOUNT IS ON) | _____ |
| Area # Name | (Area # Name Text) | _____ |

Panel and Area Wide Parameters

Default values are shown in () or in **bold**

Keypad (continued)

Custom Functions

| | | |
|---------------------|--------------------------|-------|
| CF 128 | Text | _____ |
| | Key Strokes ¹ | _____ |
| CF 129 | Text | _____ |
| | Key Strokes ¹ | _____ |
| CF 130 | Text | _____ |
| | Key Strokes ¹ | _____ |
| CF 131 | Text | _____ |
| | Key Strokes ¹ | _____ |
| CF 132 ² | Text | _____ |
| | Key Strokes ¹ | _____ |
| CF 133 ² | Text | _____ |
| | Key Strokes ¹ | _____ |
| CF 134 ² | Text | _____ |
| | Key Strokes ¹ | _____ |
| CF 135 ² | Text | _____ |
| | Key Strokes ¹ | _____ |
| CF 136 ² | Text | _____ |
| | Key Strokes ¹ | _____ |
| CF 137 ² | Text | _____ |
| | Key Strokes ¹ | _____ |
| CF 138 ² | Text | _____ |
| | Key Strokes ¹ | _____ |
| CF 139 ² | Text | _____ |
| | Key Strokes ¹ | _____ |
| CF 140 ² | Text | _____ |
| | Key Strokes ¹ | _____ |
| CF 141 ² | Text | _____ |
| | Key Strokes ¹ | _____ |
| CF 142 ² | Text | _____ |
| | Key Strokes ¹ | _____ |
| CF 143 ² | Text | _____ |
| | Key Strokes ¹ | _____ |

1 Refer to *Table 1* on page 21 for keystroke options.

2 Custom Functions CF 132 and higher are available with the D9412GV3 only.

Default values are shown in () or in **bold**

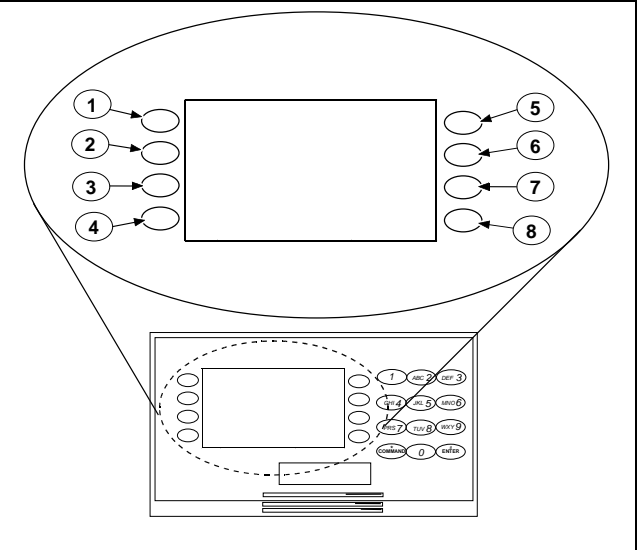
Panel and Area Wide Parameters


Keypad (continued)

Custom Functions (continued)

| Default: | Up to 32 characters: 0 to 9, A, B, C, D, E | |
|------------|--|-------------|
| Selection: | | |
| Selection | D1255 Key | D1260 Key |
| 0 to 9 | 0 to 9 | 0 to 9 |
| A | [COMMAND] | [COMMAND] |
| B | [PREV] (previous) | NA |
| C | [ESC] (escape) | NA |
| D | [NEXT] | NA |
| E | [ENT] (enter) | [#ENTER] |
| C1 | NA | (softkey 1) |
| C2 | NA | (softkey 2) |
| C3 | NA | (softkey 3) |
| C4 | NA | (softkey 4) |
| C5 | NA | (softkey 5) |
| C6 | NA | (softkey 6) |
| C7 | NA | (softkey 7) |
| C8 | NA | (softkey 8) |

Figure 1: Softkey Positions on the D1260 and D1260B Keypads



 In *Table 1* and *Table 2*, "D1255" includes D1255, D1255B, D1255RB, D1256, D1256RB, D1257, and D1257RB. "D1260" includes D1260 and D1260B.

- | | |
|--------------------|--------------------|
| 1 - Softkey 1 (C1) | 5 - Softkey 5 (C5) |
| 2 - Softkey 2 (C2) | 6 - Softkey 6 (C6) |
| 3 - Softkey 3 (C3) | 7 - Softkey 7 (C7) |
| 4 - Softkey 4 (C4) | 8 - Softkey 8 (C8) |

| Command | Key Strokes | Command | Key Strokes |
|-------------------------|-------------|-------------------------|-------------|
| 1 Master Arm Area | A19 | 7 Special Alert | A79 |
| 2 Perimeter Instant Arm | A29 | 8 Perimeter Partial Arm | A89 |
| 3 Perimeter Delay Arm | A39 | 9 Special Alert | A99 |
| 6 Watch Mode | A69 | 0 Bypass a Point | A09 |

Panel and Area Wide Parameters

Default values are shown in () or in bold

User Interface

| Keypad Functions | | | |
|------------------|-----------------------|-----------|------|
| # | Functions | Command | E/P* |
| 1 | Disarm ? | | P |
| 2 | Master Arm Delay ? | CMD 1 | P |
| 3 | Master Arm Instant ? | CMD 11 | - |
| 4 | Perimeter Instant ? | CMD 2 | - |
| 5 | Perimeter Delay ? | CMD 3 | P |
| 6 | Watch Mode ? | CMD 6 | E |
| 7 | Perimeter Part ? | CMD 8 | P |
| 8 | View Area Status ? | | P |
| 9 | View Memory ? | CMD 40 | E |
| 10 | View Pt Status ? | | E |
| 11 | Walk Test ? | CMD 44 | E |
| 12 | Fire Test ? | CMD 58 | P |
| 13 | Send Report ? | CMD 41/42 | P |
| 14 | Door Control ? | CMD 46 | P |
| | Cycle Door ? | | E |
| | Unlock Door ? | | E |
| | Secure Door ? | | E |
| 37 | Access Control Level? | | P |
| 15 | Change Display ? | CMD 49 | E |
| 16 | Change Time/Date ? | CMD 45 | E |
| 17 | Change Passcode ? | CMD 55 | P |
| 18 | Add User ? | CMD 56 | P |
| 19 | Del User ? | CMD 53 | P |
| 20 | Extend Close ? | CMD 51 | P |
| 21 | View Log ? | | E |
| 22 | Print Log ? | | P |
| 23 | User Command 7 ? | CMD 7 | P |
| 24 | User Command 9 ? | CMD 9 | P |
| 25 | Bypass a Point ? | CMD 0 | P |
| 26 | Unbypass a Point ? | CMD 00 | P |
| 27 | Reset Sensors ? | CMD 47 | E |
| 28 | Change Relays ? | CMD 54 | P |
| 29 | Remote Program ? | CMD 43 | P |
| 30 | Move To Area ? | CMD 50 | P |
| 32 | Display Rev ? | CMD 59 | E |
| 33 | Service Walk ? | | P |
| 34 | Default Text ? | CMD 57 | P |
| 35 | Change Skeds ? | CMD 52 | P |
| 36 | Invisible Walk ? | | P |

| Authority Levels† | | | | | | | | | | | | | | |
|-------------------|---|---|---|---|---|---|---|---|----|----|----|----|----|----|
| 1 | 2 | 3 | 4 | 5 | 6 | 7 | 8 | 9 | 10 | 11 | 12 | 13 | 14 | 15 |
| E | E | E | E | E | - | - | - | - | - | - | - | - | - | E |
| E | E | E | E | E | - | - | - | - | - | - | - | - | - | |
| E | E | - | - | - | - | - | - | - | - | - | - | - | - | |
| E | E | E | E | - | - | - | - | - | - | - | - | - | - | |
| E | E | E | E | - | - | - | - | - | - | - | - | - | - | E |
| E | E | - | - | - | - | - | - | - | - | - | - | - | - | E |
| E | E | E | - | - | - | - | - | - | - | - | - | - | - | E |
| E | E | E | - | - | - | - | - | - | - | - | - | - | - | E |
| E | E | - | - | - | - | - | - | - | - | - | - | - | - | E |
| E | E | E | - | - | - | - | - | - | - | - | - | - | - | E |
| E | E | - | - | - | - | - | - | - | - | - | - | - | - | E |
| E | E | - | - | - | - | - | - | - | - | - | - | - | - | E |
| E | E | - | - | - | - | - | - | - | - | - | - | - | - | E |
| E | E | - | - | - | - | - | - | - | - | - | - | - | - | E |
| E | E | - | - | - | - | - | - | - | - | - | - | - | - | E |
| E | E | - | - | - | - | - | - | - | - | - | - | - | - | E |
| E | E | - | - | - | - | - | - | - | - | - | - | - | - | E |
| E | E | - | - | - | - | - | - | - | - | - | - | - | - | E |
| E | E | - | - | - | - | - | - | - | - | - | - | - | - | E |
| E | E | - | - | - | - | - | - | - | - | - | - | - | - | E |
| E | E | - | - | - | - | - | - | - | - | - | - | - | - | E |
| E | E | - | - | - | - | - | - | - | - | - | - | - | - | E |
| E | E | - | - | - | - | - | - | - | - | - | - | - | - | E |
| E | E | - | - | - | - | - | - | - | - | - | - | - | - | E |
| E | E | - | - | - | - | - | - | - | - | - | - | - | - | E |
| E | E | - | - | - | - | - | - | - | - | - | - | - | - | E |
| E | E | - | - | - | - | - | - | - | - | - | - | - | - | E |
| E | E | - | - | - | - | - | - | - | - | - | - | - | - | E |
| E | E | - | - | - | - | - | - | - | - | - | - | - | - | E |
| E | E | - | - | - | - | - | - | - | - | - | - | - | - | E |
| E | E | - | - | - | - | - | - | - | - | - | - | - | - | E |
| E | E | - | - | - | - | - | - | - | - | - | - | - | - | E |
| E | E | - | - | - | - | - | - | - | - | - | - | - | - | E |
| E | E | - | - | - | - | - | - | - | - | - | - | - | - | E |
| E | E | - | - | - | - | - | - | - | - | - | - | - | - | E |
| E | E | - | - | - | - | - | - | - | - | - | - | - | - | E |
| E | E | - | - | - | - | - | - | - | - | - | - | - | - | E |

User Interface Table continued on next page

* Keypad Function options: P = Passcode required, E = Enabled (no Passcode required), - = Disabled.

† Authority Level options: E = Enabled, - = Disabled.

█ Solid box indicates parameter is not user programmable.

Default values are shown in () or in **bold**

Panel and Area Wide Parameters

User Interface (continued)

| Keypad Functions | | | Authority Levels [†] | | | | | | | | | | | | | | |
|------------------|-----------------------|------|-------------------------------|---|---|---|---|---|---|---|---|----|----|----|----|----|----|
| # | Custom Functions | E/P* | 1 | 2 | 3 | 4 | 5 | 6 | 7 | 8 | 9 | 10 | 11 | 12 | 13 | 14 | 15 |
| 128 | Custom Function 128 | P | E | - | - | - | - | - | - | - | - | - | - | - | - | - | - |
| 129 | Custom Function 129 | P | E | - | - | - | - | - | - | - | - | - | - | - | - | - | - |
| 130 | Custom Function 130 | P | E | - | - | - | - | - | - | - | - | - | - | - | - | - | - |
| 131 | Custom Function 131 | P | E | - | - | - | - | - | - | - | - | - | - | - | - | - | - |
| 132 | Custom Function 132** | P | E | - | - | - | - | - | - | - | - | - | - | - | - | - | - |
| 133 | Custom Function 133** | P | E | - | - | - | - | - | - | - | - | - | - | - | - | - | - |
| 134 | Custom Function 134** | P | E | - | - | - | - | - | - | - | - | - | - | - | - | - | - |
| 135 | Custom Function 135** | P | E | - | - | - | - | - | - | - | - | - | - | - | - | - | - |
| 136 | Custom Function 136** | P | E | - | - | - | - | - | - | - | - | - | - | - | - | - | - |
| 137 | Custom Function 137** | P | E | - | - | - | - | - | - | - | - | - | - | - | - | - | - |
| 138 | Custom Function 138** | P | E | - | - | - | - | - | - | - | - | - | - | - | - | - | - |
| 139 | Custom Function 139** | P | E | - | - | - | - | - | - | - | - | - | - | - | - | - | - |
| 140 | Custom Function 140** | P | E | - | - | - | - | - | - | - | - | - | - | - | - | - | - |
| 141 | Custom Function 141** | P | E | - | - | - | - | - | - | - | - | - | - | - | - | - | - |
| 142 | Custom Function 142** | P | E | - | - | - | - | - | - | - | - | - | - | - | - | - | - |
| 143 | Custom Function 143** | P | E | - | - | - | - | - | - | - | - | - | - | - | - | - | - |

* Keypad Function options: P = Passcode required, E = Enabled (no Passcode required), - = Disabled.

† Authority Level options: E = Enabled, Blank = Disabled.

** Custom Functions No.132 and higher available with the D9412GV3 only.

■ Solid box indicates parameter is not user programmable.

| # | Report Levels | Authority Levels [†] | | | | | | | | | | | | | | |
|---|-------------------|-------------------------------|---|---|---|---|---|---|---|---|----|----|----|----|----|----|
| # | Report Levels | 1 | 2 | 3 | 4 | 5 | 6 | 7 | 8 | 9 | 10 | 11 | 12 | 13 | 14 | 15 |
| ■ | Force Arm ? | E | E | E | E | E | E | - | - | - | - | - | - | - | - | - |
| ■ | Area O/C ? | - | - | - | - | - | - | - | - | - | - | - | - | - | - | - |
| ■ | Restricted O/C ? | - | - | - | - | - | - | - | - | - | - | - | - | - | - | - |
| ■ | Perimeter O/C ? | - | - | - | - | - | - | - | - | - | - | - | - | - | - | - |
| ■ | Send Duress ? | - | - | - | - | - | - | - | - | - | - | - | - | - | E | - |
| ■ | Passcode Arm ? | E | E | E | E | E | E | - | - | - | - | - | - | - | - | - |
| ■ | Passcode Disarm ? | E | E | E | E | E | - | - | - | - | - | - | - | - | E | - |

† Authority Level options: E = Enabled, - = Disabled.

■ Solid box indicates parameter is not user programmable.

| # | Function | Authority Levels [†] | | | | | | | | | | | | | | |
|---|--------------------|-------------------------------|---|---|---|---|---|---|---|---|----|----|----|----|----|----|
| # | Function | 1 | 2 | 3 | 4 | 5 | 6 | 7 | 8 | 9 | 10 | 11 | 12 | 13 | 14 | 15 |
| ■ | Keypad Programming | | | | | | | | | | | | | | | P |

† Authority Level options: P = Passcode Required, - = Disabled.

■ Solid box indicates parameter is not user programmable.

| # | Access Levels | Authority Levels | | | | | | | | | | | | | | |
|---|---------------------|------------------|---|---|---|---|---|---|---|---|----|----|----|----|----|----|
| # | Access Levels | 1 | 2 | 3 | 4 | 5 | 6 | 7 | 8 | 9 | 10 | 11 | 12 | 13 | 14 | 15 |
| ■ | Security Level ?* | M | M | P | P | P | D | - | - | - | - | - | - | - | - | - |
| ■ | Disarm Level ?** | I | D | D | D | D | - | - | - | - | - | - | - | - | - | - |
| ■ | Function Level? *** | D | - | - | - | - | - | - | - | - | - | - | - | - | - | - |

* Security Level options for Authority Levels: M = Any Armed State, P = Perimeter Armed, D = Disarmed, - = No Access

** Disarm Level options for Authority Levels: I = Disarm to Perimeter Instant, D = Disarm All, - = No Disarm Rights

*** Function Level options for Authority Levels: M = While Master Armed, D = Disarmed, C = Both M and D, - = none

Panel and Area Wide Parameters

Default values are shown in () or in **bold**

Function List

| Menu Item | Function | CC* Address 1 | CC* Address 2 | CC* Address 3 | CC* Address 4 | CC* Address 5 | CC* Address 6 | CC* Address 7 | CC* Address 8 |
|-----------|------------|---------------|---------------|---------------|---------------|---------------|---------------|---------------|---------------|
| 1 | (6) _____ | Yes/No | Yes/No | Yes/No | Yes/No | Yes/No | Yes/No | Yes/No | Yes/No |
| 2 | (27) _____ | Yes/No | Yes/No | Yes/No | Yes/No | Yes/No | Yes/No | Yes/No | Yes/No |
| 3 | (29) _____ | Yes/No | Yes/No | Yes/No | Yes/No | Yes/No | Yes/No | Yes/No | Yes/No |
| 4 | (11) _____ | Yes/No | Yes/No | Yes/No | Yes/No | Yes/No | Yes/No | Yes/No | Yes/No |
| 5 | (15) _____ | Yes/No | Yes/No | Yes/No | Yes/No | Yes/No | Yes/No | Yes/No | Yes/No |
| 6 | (16) _____ | Yes/No | Yes/No | Yes/No | Yes/No | Yes/No | Yes/No | Yes/No | Yes/No |
| 7 | (17) _____ | Yes/No | Yes/No | Yes/No | Yes/No | Yes/No | Yes/No | Yes/No | Yes/No |
| 8 | (18) _____ | Yes/No | Yes/No | Yes/No | Yes/No | Yes/No | Yes/No | Yes/No | Yes/No |
| 9 | (19) _____ | Yes/No | Yes/No | Yes/No | Yes/No | Yes/No | Yes/No | Yes/No | Yes/No |
| 10 | (25) _____ | Yes/No | Yes/No | Yes/No | Yes/No | Yes/No | Yes/No | Yes/No | Yes/No |
| 11 | (26) _____ | Yes/No | Yes/No | Yes/No | Yes/No | Yes/No | Yes/No | Yes/No | Yes/No |
| 12 | (9) _____ | Yes/No | Yes/No | Yes/No | Yes/No | Yes/No | Yes/No | Yes/No | Yes/No |
| 13 | (10) _____ | Yes/No | Yes/No | Yes/No | Yes/No | Yes/No | Yes/No | Yes/No | Yes/No |
| 14 | (8) _____ | Yes/No | Yes/No | Yes/No | Yes/No | Yes/No | Yes/No | Yes/No | Yes/No |
| 15 | _____ | Yes/No | Yes/No | Yes/No | Yes/No | Yes/No | Yes/No | Yes/No | Yes/No |
| 16 | _____ | Yes/No | Yes/No | Yes/No | Yes/No | Yes/No | Yes/No | Yes/No | Yes/No |
| 17 | _____ | Yes/No | Yes/No | Yes/No | Yes/No | Yes/No | Yes/No | Yes/No | Yes/No |
| 18 | _____ | Yes/No | Yes/No | Yes/No | Yes/No | Yes/No | Yes/No | Yes/No | Yes/No |
| 19 | _____ | Yes/No | Yes/No | Yes/No | Yes/No | Yes/No | Yes/No | Yes/No | Yes/No |
| 20 | _____ | Yes/No | Yes/No | Yes/No | Yes/No | Yes/No | Yes/No | Yes/No | Yes/No |
| 21 | _____ | Yes/No | Yes/No | Yes/No | Yes/No | Yes/No | Yes/No | Yes/No | Yes/No |
| 22 | _____ | Yes/No | Yes/No | Yes/No | Yes/No | Yes/No | Yes/No | Yes/No | Yes/No |
| 23 | _____ | Yes/No | Yes/No | Yes/No | Yes/No | Yes/No | Yes/No | Yes/No | Yes/No |
| 24 | _____ | Yes/No | Yes/No | Yes/No | Yes/No | Yes/No | Yes/No | Yes/No | Yes/No |
| 25 | _____ | Yes/No | Yes/No | Yes/No | Yes/No | Yes/No | Yes/No | Yes/No | Yes/No |
| 26 | _____ | Yes/No | Yes/No | Yes/No | Yes/No | Yes/No | Yes/No | Yes/No | Yes/No |
| 27 | _____ | Yes/No | Yes/No | Yes/No | Yes/No | Yes/No | Yes/No | Yes/No | Yes/No |
| 28 | _____ | Yes/No | Yes/No | Yes/No | Yes/No | Yes/No | Yes/No | Yes/No | Yes/No |
| 29 | _____ | Yes/No | Yes/No | Yes/No | Yes/No | Yes/No | Yes/No | Yes/No | Yes/No |
| 30 | _____ | Yes/No | Yes/No | Yes/No | Yes/No | Yes/No | Yes/No | Yes/No | Yes/No |
| 31 | _____ | Yes/No | Yes/No | Yes/No | Yes/No | Yes/No | Yes/No | Yes/No | Yes/No |
| 32 | _____ | Yes/No | Yes/No | Yes/No | Yes/No | Yes/No | Yes/No | Yes/No | Yes/No |

* CC = Keypad

Default values are shown in () or in **bold**

Panel and Area Wide Parameters

Function List (continued)

| Menu Item | Function | CC* Address 9 | CC* Address 10 | CC* Address 11 | CC* Address 12 | CC* Address 13 | CC* Address 14 | CC* Address 15 | CC* Address 16 |
|-----------|------------|---------------|----------------|----------------|----------------|----------------|----------------|----------------|----------------|
| 1 | (6) _____ | Yes/No | Yes/No | Yes/No | Yes/No | Yes/No | Yes/No | Yes/No | Yes/No |
| 2 | (27) _____ | Yes/No | Yes/No | Yes/No | Yes/No | Yes/No | Yes/No | Yes/No | Yes/No |
| 3 | (29) _____ | Yes/No | Yes/No | Yes/No | Yes/No | Yes/No | Yes/No | Yes/No | Yes/No |
| 4 | (11) _____ | Yes/No | Yes/No | Yes/No | Yes/No | Yes/No | Yes/No | Yes/No | Yes/No |
| 5 | (15) _____ | Yes/No | Yes/No | Yes/No | Yes/No | Yes/No | Yes/No | Yes/No | Yes/No |
| 6 | (16) _____ | Yes/No | Yes/No | Yes/No | Yes/No | Yes/No | Yes/No | Yes/No | Yes/No |
| 7 | (17) _____ | Yes/No | Yes/No | Yes/No | Yes/No | Yes/No | Yes/No | Yes/No | Yes/No |
| 8 | (18) _____ | Yes/No | Yes/No | Yes/No | Yes/No | Yes/No | Yes/No | Yes/No | Yes/No |
| 9 | (19) _____ | Yes/No | Yes/No | Yes/No | Yes/No | Yes/No | Yes/No | Yes/No | Yes/No |
| 10 | (25) _____ | Yes/No | Yes/No | Yes/No | Yes/No | Yes/No | Yes/No | Yes/No | Yes/No |
| 11 | (26) _____ | Yes/No | Yes/No | Yes/No | Yes/No | Yes/No | Yes/No | Yes/No | Yes/No |
| 12 | (9) _____ | Yes/No | Yes/No | Yes/No | Yes/No | Yes/No | Yes/No | Yes/No | Yes/No |
| 13 | (10) _____ | Yes/No | Yes/No | Yes/No | Yes/No | Yes/No | Yes/No | Yes/No | Yes/No |
| 14 | (8) _____ | Yes/No | Yes/No | Yes/No | Yes/No | Yes/No | Yes/No | Yes/No | Yes/No |
| 15 | _____ | Yes/No | Yes/No | Yes/No | Yes/No | Yes/No | Yes/No | Yes/No | Yes/No |
| 16 | _____ | Yes/No | Yes/No | Yes/No | Yes/No | Yes/No | Yes/No | Yes/No | Yes/No |
| 17 | _____ | Yes/No | Yes/No | Yes/No | Yes/No | Yes/No | Yes/No | Yes/No | Yes/No |
| 18 | _____ | Yes/No | Yes/No | Yes/No | Yes/No | Yes/No | Yes/No | Yes/No | Yes/No |
| 19 | _____ | Yes/No | Yes/No | Yes/No | Yes/No | Yes/No | Yes/No | Yes/No | Yes/No |
| 20 | _____ | Yes/No | Yes/No | Yes/No | Yes/No | Yes/No | Yes/No | Yes/No | Yes/No |
| 21 | _____ | Yes/No | Yes/No | Yes/No | Yes/No | Yes/No | Yes/No | Yes/No | Yes/No |
| 22 | _____ | Yes/No | Yes/No | Yes/No | Yes/No | Yes/No | Yes/No | Yes/No | Yes/No |
| 23 | _____ | Yes/No | Yes/No | Yes/No | Yes/No | Yes/No | Yes/No | Yes/No | Yes/No |
| 24 | _____ | Yes/No | Yes/No | Yes/No | Yes/No | Yes/No | Yes/No | Yes/No | Yes/No |
| 25 | _____ | Yes/No | Yes/No | Yes/No | Yes/No | Yes/No | Yes/No | Yes/No | Yes/No |
| 26 | _____ | Yes/No | Yes/No | Yes/No | Yes/No | Yes/No | Yes/No | Yes/No | Yes/No |
| 27 | _____ | Yes/No | Yes/No | Yes/No | Yes/No | Yes/No | Yes/No | Yes/No | Yes/No |
| 28 | _____ | Yes/No | Yes/No | Yes/No | Yes/No | Yes/No | Yes/No | Yes/No | Yes/No |
| 29 | _____ | Yes/No | Yes/No | Yes/No | Yes/No | Yes/No | Yes/No | Yes/No | Yes/No |
| 30 | _____ | Yes/No | Yes/No | Yes/No | Yes/No | Yes/No | Yes/No | Yes/No | Yes/No |
| 31 | _____ | Yes/No | Yes/No | Yes/No | Yes/No | Yes/No | Yes/No | Yes/No | Yes/No |
| 32 | _____ | Yes/No | Yes/No | Yes/No | Yes/No | Yes/No | Yes/No | Yes/No | Yes/No |

* CC = Keypad

Panel and Area Wide Parameters

Default values are shown in () or in **bold**

Relay Parameters

Area Relays

| | AREA | | | | | | | |
|----------------|------|---|---|---|---|---|---|---|
| | 1 | 2 | 3 | 4 | 5 | 6 | 7 | 8 |
| Alarm Bell* | A | A | A | A | A | A | A | A |
| Fire Bell* | A | A | A | A | A | A | A | A |
| Reset Sensors* | C | C | C | C | C | C | C | C |
| Fail To Close | | | | | | | | |
| Force Armed | | | | | | | | |
| Watch Mode* | | | | | | | | |
| Area Armed* | | | | | | | | |
| Area Fault | | | | | | | | |
| Duress Relay* | | | | | | | | |
| Perim Fault | | | | | | | | |
| Silent Alarm | | | | | | | | |

Panel Wide Relays

- AC Failure _____
- Battery Trouble _____
- Phone Fail _____
- Comm Fail _____
- Log % Full _____
- Summary Fire _____
- Summary Alarm _____
- Summary Fire Trouble _____
- Summary Supv Fire _____
- Summary Trouble _____
- Summary Supv Burg _____

The same relay can be shared between areas and functions. Use a different relay for each area and/or function unless indicated by an asterisk ().

Area Relays

| | AREA | | | | | | | |
|----------------|------|----|----|----|----|----|----|----|
| | 9 | 10 | 11 | 12 | 13 | 14 | 15 | 16 |
| Alarm Bell* | A | A | A | A | A | A | A | A |
| Fire Bell* | A | A | A | A | A | A | A | A |
| Reset Sensors* | C | C | C | C | C | C | C | C |
| Fail To Close | | | | | | | | |
| Force Armed | | | | | | | | |
| Watch Mode* | | | | | | | | |
| Area Armed* | | | | | | | | |
| Area Fault | | | | | | | | |
| Duress Relay* | | | | | | | | |
| Perim Fault | | | | | | | | |
| Silent Alarm | | | | | | | | |

The same relay can be shared between areas and functions. Use a different relay for each area and/or function unless indicated by an asterisk ().



The D9412GV3 supports up to 32 areas.
The D7412GV3 supports up to 8 areas.

Default values are shown in () or in **bold**

Panel and Area Wide Parameters

Area Relays

| | AREA | | | | | | | |
|----------------|------|----|----|----|----|----|----|----|
| | 17 | 18 | 19 | 20 | 21 | 22 | 23 | 24 |
| Alarm Bell* | A | A | A | A | A | A | A | A |
| Fire Bell* | A | A | A | A | A | A | A | A |
| Reset Sensors* | C | C | C | C | C | C | C | C |
| Fail To Close | | | | | | | | |
| Force Armed | | | | | | | | |
| Watch Mode* | | | | | | | | |
| Area Armed* | | | | | | | | |
| Area Fault | | | | | | | | |
| Duress Relay* | | | | | | | | |
| Perim Fault | | | | | | | | |
| Silent Alarm | | | | | | | | |

* The same relay can be shared between areas and functions. Use a different relay for each area and/or function unless indicated by an asterisk (*).



The D9412GV3 supports up to 32 areas.
The D7412GV3 supports up to 8 areas.

Area Relays

| | AREA | | | | | | | |
|----------------|------|----|----|----|----|----|----|----|
| | 25 | 26 | 27 | 28 | 29 | 30 | 31 | 32 |
| Alarm Bell* | A | A | A | A | A | A | A | A |
| Fire Bell* | A | A | A | A | A | A | A | A |
| Reset Sensors* | C | C | C | C | C | C | C | C |
| Fail To Close | | | | | | | | |
| Force Armed | | | | | | | | |
| Watch Mode* | | | | | | | | |
| Area Armed* | | | | | | | | |
| Area Fault | | | | | | | | |
| Duress Relay* | | | | | | | | |
| Perim Fault | | | | | | | | |
| Silent Alarm | | | | | | | | |

* The same relay can be shared between areas and functions. Use a different relay for each area and/or function unless indicated by an asterisk (*).



The D9412GV3 supports up to 32 areas.
The D7412GV3 supports up to 8 areas.

Panel and Area Wide Parameters

Default values are shown in () or in **bold**

| Relay #, Description | Relay #, Description | Relay #, Description | Relay #, Description |
|----------------------|----------------------|----------------------|----------------------|
| A | 31 | 64 | 97 [†] |
| B | 32 | 65 [†] | 98 [†] |
| C | 33 | 66 [†] | 99 [†] |
| 1 | 34 | 67 [†] | 100 [†] |
| 2 | 35 | 68 [†] | 101 [†] |
| 3 | 36 | 69 [†] | 102 [†] |
| 4 | 37 | 70 [†] | 103 [†] |
| 5 | 38 | 71 [†] | 104 [†] |
| 6 | 39 | 72 [†] | 105 [†] |
| 7 | 40 | 73 [†] | 106 [†] |
| 8 | 41 | 74 [†] | 107 [†] |
| 9 | 42 | 75 [†] | 108 [†] |
| 10 | 43 | 76 [†] | 109 [†] |
| 11 | 44 | 77 [†] | 110 [†] |
| 12 | 45 | 78 [†] | 111 [†] |
| 13 | 46 | 79 [†] | 112 [†] |
| 14 | 47 | 80 [†] | 113 [†] |
| 15 | 48 | 81 [†] | 114 [†] |
| 16 | 49 | 82 [†] | 115 [†] |
| 17 | 50 | 83 [†] | 116 [†] |
| 18 | 51 | 84 [†] | 117 [†] |
| 19 | 52 | 85 [†] | 118 [†] |
| 20 | 53 | 86 [†] | 119 [†] |
| 21 | 54 | 87 [†] | 120 [†] |
| 22 | 55 | 88 [†] | 121 [†] |
| 23 | 56 | 89 [†] | 122 [†] |
| 24 | 57 | 90 [†] | 123 [†] |
| 25 | 58 | 91 [†] | 124 [†] |
| 26 | 59 | 92 [†] | 125 [†] |
| 27 | 60 | 93 [†] | 126 [†] |
| 28 | 61 | 94 [†] | 127 [†] |
| 29 | 62 | 95 [†] | 128 [†] |
| 30 | 63 | 96 [†] | |

Refer to the D9412GV3/D7412GV3 Program Entry Guide (P/N: F01U143071) for additional Silent Alarm Relay functions.

[†] Relays 65 and higher available with the D9412GV3 only.

Default values are shown in () or in **bold**

Passcodes and Tokens

User (Passcode) Worksheet (Users 000 - 029) (Areas 1 to 8)

| User ### | Passcode | User Group | Area Authority | | | | | | | | User Name |
|-------------|-----------|---------------|----------------|-----------|-----------|-----------|-----------|-----------|-----------|-----------|---------------------|
| | | | 1 | 2 | 3 | 4 | 5 | 6 | 7 | 8 | |
| 000 | 123 _____ | _____ | 15 | 15 | 15 | 15 | 15 | 15 | 15 | 15 | SERVICE PASSCODE |
| 001 | 123456 | _____ | 1 | ___ | ___ | ___ | ___ | ___ | ___ | ___ | USER 1 |
| 002 | _____ | _____ | ___ | ___ | ___ | ___ | ___ | ___ | ___ | ___ | USER 2 |
| 003 | _____ | _____ | ___ | ___ | ___ | ___ | ___ | ___ | ___ | ___ | USER 3 |
| 004 | _____ | _____ | ___ | ___ | ___ | ___ | ___ | ___ | ___ | ___ | USER 4 |
| 005 | _____ | _____ | ___ | ___ | ___ | ___ | ___ | ___ | ___ | ___ | USER 5 |
| 006 | _____ | _____ | ___ | ___ | ___ | ___ | ___ | ___ | ___ | ___ | USER 6 |
| 007 | _____ | _____ | ___ | ___ | ___ | ___ | ___ | ___ | ___ | ___ | USER 7 |
| 008 | _____ | _____ | ___ | ___ | ___ | ___ | ___ | ___ | ___ | ___ | USER 8 |
| 009 | _____ | _____ | ___ | ___ | ___ | ___ | ___ | ___ | ___ | ___ | USER 9 |
| 010 | _____ | _____ | ___ | ___ | ___ | ___ | ___ | ___ | ___ | ___ | USER 10 |
| 011 | _____ | _____ | ___ | ___ | ___ | ___ | ___ | ___ | ___ | ___ | USER 11 |
| 012 | _____ | _____ | ___ | ___ | ___ | ___ | ___ | ___ | ___ | ___ | USER 12 |
| 013 | _____ | _____ | ___ | ___ | ___ | ___ | ___ | ___ | ___ | ___ | USER 13 |
| 014 | _____ | _____ | ___ | ___ | ___ | ___ | ___ | ___ | ___ | ___ | USER 14 |
| 015 | _____ | _____ | ___ | ___ | ___ | ___ | ___ | ___ | ___ | ___ | USER 15 |
| 016 | _____ | _____ | ___ | ___ | ___ | ___ | ___ | ___ | ___ | ___ | USER 16 |
| 017 | _____ | _____ | ___ | ___ | ___ | ___ | ___ | ___ | ___ | ___ | USER 17 |
| 018 | _____ | _____ | ___ | ___ | ___ | ___ | ___ | ___ | ___ | ___ | USER 18 |
| 019 | _____ | _____ | ___ | ___ | ___ | ___ | ___ | ___ | ___ | ___ | USER 19 |
| 020 | _____ | _____ | ___ | ___ | ___ | ___ | ___ | ___ | ___ | ___ | USER 20 |
| 021 | _____ | _____ | ___ | ___ | ___ | ___ | ___ | ___ | ___ | ___ | USER 21 |
| 022 | _____ | _____ | ___ | ___ | ___ | ___ | ___ | ___ | ___ | ___ | USER 22 |
| 023 | _____ | _____ | ___ | ___ | ___ | ___ | ___ | ___ | ___ | ___ | USER 23 |
| 024 | _____ | _____ | ___ | ___ | ___ | ___ | ___ | ___ | ___ | ___ | USER 24 |
| 025 | _____ | _____ | ___ | ___ | ___ | ___ | ___ | ___ | ___ | ___ | USER 25 |
| 026 | _____ | _____ | ___ | ___ | ___ | ___ | ___ | ___ | ___ | ___ | USER 26 |
| 027 | _____ | _____ | ___ | ___ | ___ | ___ | ___ | ___ | ___ | ___ | USER 27 |
| 028 | _____ | _____ | ___ | ___ | ___ | ___ | ___ | ___ | ___ | ___ | USER 28 |
| 029 | _____ | _____ | ___ | ___ | ___ | ___ | ___ | ___ | ___ | ___ | USER 29 |

 Solid box indicates parameter is not user programmable.

Passcodes and Tokens

Default values are shown in () or in **bold**

User (Passcode) Worksheet (Users 000 to 029) (Areas 9 to 16)

(Areas 9 to 16 only with the D9412GV3 Control Panel)

| User ### | Passcode | User Group | Area Authority | | | | | | | | User Name |
|-------------|-----------|---------------|----------------|-----------|-----------|-----------|-----------|-----------|-----------|-----------|---------------------|
| | | | 9 | 10 | 11 | 12 | 13 | 14 | 15 | 16 | |
| 000 | 123 _____ | _____ | 15 | 15 | 15 | 15 | 15 | 15 | 15 | 15 | SERVICE PASSCODE |
| 001 | 123456 | _____ | __ | __ | __ | __ | __ | __ | __ | __ | USER 1 |
| 002 | _____ | _____ | __ | __ | __ | __ | __ | __ | __ | __ | USER 2 |
| 003 | _____ | _____ | __ | __ | __ | __ | __ | __ | __ | __ | USER 3 |
| 004 | _____ | _____ | __ | __ | __ | __ | __ | __ | __ | __ | USER 4 |
| 005 | _____ | _____ | __ | __ | __ | __ | __ | __ | __ | __ | USER 5 |
| 006 | _____ | _____ | __ | __ | __ | __ | __ | __ | __ | __ | USER 6 |
| 007 | _____ | _____ | __ | __ | __ | __ | __ | __ | __ | __ | USER 7 |
| 008 | _____ | _____ | __ | __ | __ | __ | __ | __ | __ | __ | USER 8 |
| 009 | _____ | _____ | __ | __ | __ | __ | __ | __ | __ | __ | USER 9 |
| 010 | _____ | _____ | __ | __ | __ | __ | __ | __ | __ | __ | USER 10 |
| 011 | _____ | _____ | __ | __ | __ | __ | __ | __ | __ | __ | USER 11 |
| 012 | _____ | _____ | __ | __ | __ | __ | __ | __ | __ | __ | USER 12 |
| 013 | _____ | _____ | __ | __ | __ | __ | __ | __ | __ | __ | USER 13 |
| 014 | _____ | _____ | __ | __ | __ | __ | __ | __ | __ | __ | USER 14 |
| 015 | _____ | _____ | __ | __ | __ | __ | __ | __ | __ | __ | USER 15 |
| 016 | _____ | _____ | __ | __ | __ | __ | __ | __ | __ | __ | USER 16 |
| 017 | _____ | _____ | __ | __ | __ | __ | __ | __ | __ | __ | USER 17 |
| 018 | _____ | _____ | __ | __ | __ | __ | __ | __ | __ | __ | USER 18 |
| 019 | _____ | _____ | __ | __ | __ | __ | __ | __ | __ | __ | USER 19 |
| 020 | _____ | _____ | __ | __ | __ | __ | __ | __ | __ | __ | USER 20 |
| 021 | _____ | _____ | __ | __ | __ | __ | __ | __ | __ | __ | USER 21 |
| 022 | _____ | _____ | __ | __ | __ | __ | __ | __ | __ | __ | USER 22 |
| 023 | _____ | _____ | __ | __ | __ | __ | __ | __ | __ | __ | USER 23 |
| 024 | _____ | _____ | __ | __ | __ | __ | __ | __ | __ | __ | USER 24 |
| 025 | _____ | _____ | __ | __ | __ | __ | __ | __ | __ | __ | USER 25 |
| 026 | _____ | _____ | __ | __ | __ | __ | __ | __ | __ | __ | USER 26 |
| 027 | _____ | _____ | __ | __ | __ | __ | __ | __ | __ | __ | USER 27 |
| 028 | _____ | _____ | __ | __ | __ | __ | __ | __ | __ | __ | USER 28 |
| 029 | _____ | _____ | __ | __ | __ | __ | __ | __ | __ | __ | USER 29 |

 Solid box indicates parameter is not user programmable.

Default values are shown in () or in **bold**

Passcodes and Tokens

User (Passcode) Worksheet (Users 000 to 029) (Areas 17 to 24)

(Areas 17 - 24 only with the D9412GV3 Control Panel)

| User ### | Passcode | User Group | Area Authority | | | | | | | | User Name |
|-------------|-----------|---------------|----------------|-----------|-----------|-----------|-----------|-----------|-----------|-----------|---------------------|
| | | | 17 | 18 | 19 | 20 | 21 | 22 | 23 | 24 | |
| 000 | 123 _____ | _____ | 15 | 15 | 15 | 15 | 15 | 15 | 15 | 15 | SERVICE PASSCODE |
| 001 | 123456 | _____ | __ | __ | __ | __ | __ | __ | __ | __ | USER 1 |
| 002 | _____ | _____ | __ | __ | __ | __ | __ | __ | __ | __ | USER 2 |
| 003 | _____ | _____ | __ | __ | __ | __ | __ | __ | __ | __ | USER 3 |
| 004 | _____ | _____ | __ | __ | __ | __ | __ | __ | __ | __ | USER 4 |
| 005 | _____ | _____ | __ | __ | __ | __ | __ | __ | __ | __ | USER 5 |
| 006 | _____ | _____ | __ | __ | __ | __ | __ | __ | __ | __ | USER 6 |
| 007 | _____ | _____ | __ | __ | __ | __ | __ | __ | __ | __ | USER 7 |
| 008 | _____ | _____ | __ | __ | __ | __ | __ | __ | __ | __ | USER 8 |
| 009 | _____ | _____ | __ | __ | __ | __ | __ | __ | __ | __ | USER 9 |
| 010 | _____ | _____ | __ | __ | __ | __ | __ | __ | __ | __ | USER 10 |
| 011 | _____ | _____ | __ | __ | __ | __ | __ | __ | __ | __ | USER 11 |
| 012 | _____ | _____ | __ | __ | __ | __ | __ | __ | __ | __ | USER 12 |
| 013 | _____ | _____ | __ | __ | __ | __ | __ | __ | __ | __ | USER 13 |
| 014 | _____ | _____ | __ | __ | __ | __ | __ | __ | __ | __ | USER 14 |
| 015 | _____ | _____ | __ | __ | __ | __ | __ | __ | __ | __ | USER 15 |
| 016 | _____ | _____ | __ | __ | __ | __ | __ | __ | __ | __ | USER 16 |
| 017 | _____ | _____ | __ | __ | __ | __ | __ | __ | __ | __ | USER 17 |
| 018 | _____ | _____ | __ | __ | __ | __ | __ | __ | __ | __ | USER 18 |
| 019 | _____ | _____ | __ | __ | __ | __ | __ | __ | __ | __ | USER 19 |
| 020 | _____ | _____ | __ | __ | __ | __ | __ | __ | __ | __ | USER 20 |
| 021 | _____ | _____ | __ | __ | __ | __ | __ | __ | __ | __ | USER 21 |
| 022 | _____ | _____ | __ | __ | __ | __ | __ | __ | __ | __ | USER 22 |
| 023 | _____ | _____ | __ | __ | __ | __ | __ | __ | __ | __ | USER 23 |
| 024 | _____ | _____ | __ | __ | __ | __ | __ | __ | __ | __ | USER 24 |
| 025 | _____ | _____ | __ | __ | __ | __ | __ | __ | __ | __ | USER 25 |
| 026 | _____ | _____ | __ | __ | __ | __ | __ | __ | __ | __ | USER 26 |
| 027 | _____ | _____ | __ | __ | __ | __ | __ | __ | __ | __ | USER 27 |
| 028 | _____ | _____ | __ | __ | __ | __ | __ | __ | __ | __ | USER 28 |
| 029 | _____ | _____ | __ | __ | __ | __ | __ | __ | __ | __ | USER 29 |

 Solid box indicates parameter is not user programmable.

Passcodes and Tokens

Default values are shown in () or in **bold**

User (Passcode) Worksheet (Users 000 to 029) (Areas 25 to 32)

(Areas 25 to 32 only with the D9412GV3 Control Panel)

| User ### | Passcode | User Group | Area Authority | | | | | | | | User Name |
|-------------|-----------|---------------|----------------|-----------|-----------|-----------|-----------|-----------|-----------|-----------|---------------------|
| | | | 25 | 26 | 27 | 28 | 29 | 30 | 31 | 32 | |
| 000 | 123 _____ | _____ | 15 | 15 | 15 | 15 | 15 | 15 | 15 | 15 | SERVICE PASSCODE |
| 001 | 123456 | _____ | __ | __ | __ | __ | __ | __ | __ | __ | USER 1 |
| 002 | _____ | _____ | __ | __ | __ | __ | __ | __ | __ | __ | USER 2 |
| 003 | _____ | _____ | __ | __ | __ | __ | __ | __ | __ | __ | USER 3 |
| 004 | _____ | _____ | __ | __ | __ | __ | __ | __ | __ | __ | USER 4 |
| 005 | _____ | _____ | __ | __ | __ | __ | __ | __ | __ | __ | USER 5 |
| 006 | _____ | _____ | __ | __ | __ | __ | __ | __ | __ | __ | USER 6 |
| 007 | _____ | _____ | __ | __ | __ | __ | __ | __ | __ | __ | USER 7 |
| 008 | _____ | _____ | __ | __ | __ | __ | __ | __ | __ | __ | USER 8 |
| 009 | _____ | _____ | __ | __ | __ | __ | __ | __ | __ | __ | USER 9 |
| 010 | _____ | _____ | __ | __ | __ | __ | __ | __ | __ | __ | USER 10 |
| 011 | _____ | _____ | __ | __ | __ | __ | __ | __ | __ | __ | USER 11 |
| 012 | _____ | _____ | __ | __ | __ | __ | __ | __ | __ | __ | USER 12 |
| 013 | _____ | _____ | __ | __ | __ | __ | __ | __ | __ | __ | USER 13 |
| 014 | _____ | _____ | __ | __ | __ | __ | __ | __ | __ | __ | USER 14 |
| 015 | _____ | _____ | __ | __ | __ | __ | __ | __ | __ | __ | USER 15 |
| 016 | _____ | _____ | __ | __ | __ | __ | __ | __ | __ | __ | USER 16 |
| 017 | _____ | _____ | __ | __ | __ | __ | __ | __ | __ | __ | USER 17 |
| 018 | _____ | _____ | __ | __ | __ | __ | __ | __ | __ | __ | USER 18 |
| 019 | _____ | _____ | __ | __ | __ | __ | __ | __ | __ | __ | USER 19 |
| 020 | _____ | _____ | __ | __ | __ | __ | __ | __ | __ | __ | USER 20 |
| 021 | _____ | _____ | __ | __ | __ | __ | __ | __ | __ | __ | USER 21 |
| 022 | _____ | _____ | __ | __ | __ | __ | __ | __ | __ | __ | USER 22 |
| 023 | _____ | _____ | __ | __ | __ | __ | __ | __ | __ | __ | USER 23 |
| 024 | _____ | _____ | __ | __ | __ | __ | __ | __ | __ | __ | USER 24 |
| 025 | _____ | _____ | __ | __ | __ | __ | __ | __ | __ | __ | USER 25 |
| 026 | _____ | _____ | __ | __ | __ | __ | __ | __ | __ | __ | USER 26 |
| 027 | _____ | _____ | __ | __ | __ | __ | __ | __ | __ | __ | USER 27 |
| 028 | _____ | _____ | __ | __ | __ | __ | __ | __ | __ | __ | USER 28 |
| 029 | _____ | _____ | __ | __ | __ | __ | __ | __ | __ | __ | USER 29 |

 Solid box indicates parameter is not user programmable.

Default values are shown in () or in **bold**

Passcodes and Tokens

User (Token) Worksheet (Users 000 to 029)

| User ### | Master ID ### - 0 | | Sub-User ID ### - 1 | | Sub-User ID ### - 2 | | Sub-User ID ### - 3 | |
|-------------|----------------------|-----------|---------------------|-----------|---------------------|-----------|---------------------|-----------|
| | Site | Card Data | Site | Card Data | Site | Card Data | Site | Card Data |
| 000 | Not available | | | | | | | |
| 001 | | | | | | | | |
| 002 | | | | | | | | |
| 003 | | | | | | | | |
| 004 | | | | | | | | |
| 005 | | | | | | | | |
| 006 | | | | | | | | |
| 007 | | | | | | | | |
| 008 | | | | | | | | |
| 009 | | | | | | | | |
| 010 | | | | | | | | |
| 011 | | | | | | | | |
| 012 | | | | | | | | |
| 013 | | | | | | | | |
| 014 | | | | | | | | |
| 015 | | | | | | | | |
| 016 | | | | | | | | |
| 017 | | | | | | | | |
| 018 | | | | | | | | |
| 019 | | | | | | | | |
| 020 | | | | | | | | |
| 021 | | | | | | | | |
| 022 | | | | | | | | |
| 023 | | | | | | | | |
| 024 | | | | | | | | |
| 025 | | | | | | | | |
| 026 | | | | | | | | |
| 027 | | | | | | | | |
| 028 | | | | | | | | |
| 029 | | | | | | | | |

Passcodes and Tokens

Default values are shown in () or in **bold**

Additional User (Passcode) Worksheet (Users ___ to ___) (Areas 1 to 8)

Use this worksheet to record up to 30 additional users. Photocopy this sheet as needed.

| User ### | Passcode | User Group | Area Authority | | | | | | | | User Name | |
|-------------|----------|---------------|----------------|---|---|---|---|---|---|---|-----------|--|
| | | | 1 | 2 | 3 | 4 | 5 | 6 | 7 | 8 | | |
| | _____ | ___ | — | — | — | — | — | — | — | — | USER | |
| | _____ | ___ | — | — | — | — | — | — | — | — | USER | |
| | _____ | ___ | — | — | — | — | — | — | — | — | USER | |
| | _____ | ___ | — | — | — | — | — | — | — | — | USER | |
| | _____ | ___ | — | — | — | — | — | — | — | — | USER | |
| | _____ | ___ | — | — | — | — | — | — | — | — | USER | |
| | _____ | ___ | — | — | — | — | — | — | — | — | USER | |
| | _____ | ___ | — | — | — | — | — | — | — | — | USER | |
| | _____ | ___ | — | — | — | — | — | — | — | — | USER | |
| | _____ | ___ | — | — | — | — | — | — | — | — | USER | |
| | _____ | ___ | — | — | — | — | — | — | — | — | USER | |
| | _____ | ___ | — | — | — | — | — | — | — | — | USER | |
| | _____ | ___ | — | — | — | — | — | — | — | — | USER | |
| | _____ | ___ | — | — | — | — | — | — | — | — | USER | |
| | _____ | ___ | — | — | — | — | — | — | — | — | USER | |
| | _____ | ___ | — | — | — | — | — | — | — | — | USER | |
| | _____ | ___ | — | — | — | — | — | — | — | — | USER | |
| | _____ | ___ | — | — | — | — | — | — | — | — | USER | |
| | _____ | ___ | — | — | — | — | — | — | — | — | USER | |
| | _____ | ___ | — | — | — | — | — | — | — | — | USER | |
| | _____ | ___ | — | — | — | — | — | — | — | — | USER | |
| | _____ | ___ | — | — | — | — | — | — | — | — | USER | |
| | _____ | ___ | — | — | — | — | — | — | — | — | USER | |
| | _____ | ___ | — | — | — | — | — | — | — | — | USER | |
| | _____ | ___ | — | — | — | — | — | — | — | — | USER | |
| | _____ | ___ | — | — | — | — | — | — | — | — | USER | |
| | _____ | ___ | — | — | — | — | — | — | — | — | USER | |
| | _____ | ___ | — | — | — | — | — | — | — | — | USER | |
| | _____ | ___ | — | — | — | — | — | — | — | — | USER | |
| | _____ | ___ | — | — | — | — | — | — | — | — | USER | |
| | _____ | ___ | — | — | — | — | — | — | — | — | USER | |
| | _____ | ___ | — | — | — | — | — | — | — | — | USER | |
| | _____ | ___ | — | — | — | — | — | — | — | — | USER | |
| | _____ | ___ | — | — | — | — | — | — | — | — | USER | |
| | _____ | ___ | — | — | — | — | — | — | — | — | USER | |
| | _____ | ___ | — | — | — | — | — | — | — | — | USER | |
| | _____ | ___ | — | — | — | — | — | — | — | — | USER | |
| | _____ | ___ | — | — | — | — | — | — | — | — | USER | |
| | _____ | ___ | — | — | — | — | — | — | — | — | USER | |
| | _____ | ___ | — | — | — | — | — | — | — | — | USER | |
| | _____ | ___ | — | — | — | — | — | — | — | — | USER | |
| | _____ | ___ | — | — | — | — | — | — | — | — | USER | |
| | _____ | ___ | — | — | — | — | — | — | — | — | USER | |
| | _____ | ___ | — | — | — | — | — | — | — | — | USER | |
| | _____ | ___ | — | — | — | — | — | — | — | — | USER | |
| | _____ | ___ | — | — | — | — | — | — | — | — | USER | |
| | _____ | ___ | — | — | — | — | — | — | — | — | USER | |
| | _____ | ___ | — | — | — | — | — | — | — | — | USER | |
| | _____ | ___ | — | — | — | — | — | — | — | — | USER | |
| | _____ | ___ | — | — | — | — | — | — | — | — | USER | |

Default values are shown in () or in **bold**

Passcodes and Tokens

Additional User (Passcode) Worksheet (Users ____ to ____) (Areas 9 to 16)

(Areas 9 to 16 only with the D9412GV3 Control Panel)

Use this worksheet to record up to 30 additional users. Photocopy this sheet as needed.

| User ### | Passcode | User Group | Area Authority | | | | | | | | User Name | |
|----------|----------|------------|----------------|----|----|----|----|----|----|----|-----------|--|
| | | | 9 | 10 | 11 | 12 | 13 | 14 | 15 | 16 | | |
| | _____ | ____ | — | — | — | — | — | — | — | — | USER | |
| | _____ | ____ | — | — | — | — | — | — | — | — | USER | |
| | _____ | ____ | — | — | — | — | — | — | — | — | USER | |
| | _____ | ____ | — | — | — | — | — | — | — | — | USER | |
| | _____ | ____ | — | — | — | — | — | — | — | — | USER | |
| | _____ | ____ | — | — | — | — | — | — | — | — | USER | |
| | _____ | ____ | — | — | — | — | — | — | — | — | USER | |
| | _____ | ____ | — | — | — | — | — | — | — | — | USER | |
| | _____ | ____ | — | — | — | — | — | — | — | — | USER | |
| | _____ | ____ | — | — | — | — | — | — | — | — | USER | |
| | _____ | ____ | — | — | — | — | — | — | — | — | USER | |
| | _____ | ____ | — | — | — | — | — | — | — | — | USER | |
| | _____ | ____ | — | — | — | — | — | — | — | — | USER | |
| | _____ | ____ | — | — | — | — | — | — | — | — | USER | |
| | _____ | ____ | — | — | — | — | — | — | — | — | USER | |
| | _____ | ____ | — | — | — | — | — | — | — | — | USER | |
| | _____ | ____ | — | — | — | — | — | — | — | — | USER | |
| | _____ | ____ | — | — | — | — | — | — | — | — | USER | |
| | _____ | ____ | — | — | — | — | — | — | — | — | USER | |
| | _____ | ____ | — | — | — | — | — | — | — | — | USER | |
| | _____ | ____ | — | — | — | — | — | — | — | — | USER | |
| | _____ | ____ | — | — | — | — | — | — | — | — | USER | |
| | _____ | ____ | — | — | — | — | — | — | — | — | USER | |
| | _____ | ____ | — | — | — | — | — | — | — | — | USER | |
| | _____ | ____ | — | — | — | — | — | — | — | — | USER | |
| | _____ | ____ | — | — | — | — | — | — | — | — | USER | |
| | _____ | ____ | — | — | — | — | — | — | — | — | USER | |
| | _____ | ____ | — | — | — | — | — | — | — | — | USER | |
| | _____ | ____ | — | — | — | — | — | — | — | — | USER | |
| | _____ | ____ | — | — | — | — | — | — | — | — | USER | |
| | _____ | ____ | — | — | — | — | — | — | — | — | USER | |
| | _____ | ____ | — | — | — | — | — | — | — | — | USER | |
| | _____ | ____ | — | — | — | — | — | — | — | — | USER | |
| | _____ | ____ | — | — | — | — | — | — | — | — | USER | |
| | _____ | ____ | — | — | — | — | — | — | — | — | USER | |

Passcodes and Tokens

Default values are shown in () or in **bold**

Additional User (Passcode) Worksheet (Users ___ to ___) (Areas 17 to 24)

(Areas 17 to 24 only with the D9412GV3 Control Panel)

Use this worksheet to record up to 30 additional users. Photocopy this sheet as needed.

| User ### | Passcode | User Group | Area Authority | | | | | | | | User Name | |
|-------------|----------|---------------|----------------|----|----|----|----|----|----|----|-----------|--|
| | | | 17 | 18 | 19 | 20 | 21 | 22 | 23 | 24 | | |
| | _____ | ___ | — | — | — | — | — | — | — | — | USER | |
| | _____ | ___ | — | — | — | — | — | — | — | — | USER | |
| | _____ | ___ | — | — | — | — | — | — | — | — | USER | |
| | _____ | ___ | — | — | — | — | — | — | — | — | USER | |
| | _____ | ___ | — | — | — | — | — | — | — | — | USER | |
| | _____ | ___ | — | — | — | — | — | — | — | — | USER | |
| | _____ | ___ | — | — | — | — | — | — | — | — | USER | |
| | _____ | ___ | — | — | — | — | — | — | — | — | USER | |
| | _____ | ___ | — | — | — | — | — | — | — | — | USER | |
| | _____ | ___ | — | — | — | — | — | — | — | — | USER | |
| | _____ | ___ | — | — | — | — | — | — | — | — | USER | |
| | _____ | ___ | — | — | — | — | — | — | — | — | USER | |
| | _____ | ___ | — | — | — | — | — | — | — | — | USER | |
| | _____ | ___ | — | — | — | — | — | — | — | — | USER | |
| | _____ | ___ | — | — | — | — | — | — | — | — | USER | |
| | _____ | ___ | — | — | — | — | — | — | — | — | USER | |
| | _____ | ___ | — | — | — | — | — | — | — | — | USER | |
| | _____ | ___ | — | — | — | — | — | — | — | — | USER | |
| | _____ | ___ | — | — | — | — | — | — | — | — | USER | |
| | _____ | ___ | — | — | — | — | — | — | — | — | USER | |
| | _____ | ___ | — | — | — | — | — | — | — | — | USER | |
| | _____ | ___ | — | — | — | — | — | — | — | — | USER | |
| | _____ | ___ | — | — | — | — | — | — | — | — | USER | |
| | _____ | ___ | — | — | — | — | — | — | — | — | USER | |
| | _____ | ___ | — | — | — | — | — | — | — | — | USER | |
| | _____ | ___ | — | — | — | — | — | — | — | — | USER | |
| | _____ | ___ | — | — | — | — | — | — | — | — | USER | |
| | _____ | ___ | — | — | — | — | — | — | — | — | USER | |
| | _____ | ___ | — | — | — | — | — | — | — | — | USER | |
| | _____ | ___ | — | — | — | — | — | — | — | — | USER | |
| | _____ | ___ | — | — | — | — | — | — | — | — | USER | |
| | _____ | ___ | — | — | — | — | — | — | — | — | USER | |
| | _____ | ___ | — | — | — | — | — | — | — | — | USER | |
| | _____ | ___ | — | — | — | — | — | — | — | — | USER | |
| | _____ | ___ | — | — | — | — | — | — | — | — | USER | |

Default values are shown in () or in **bold**

Passcodes and Tokens

Additional User (Passcode) Worksheet (Users ___ to ___) (Areas 25 to 32)

(Areas 25 to 32 only with the D9412GV3 Control Panel)

Use this worksheet to record up to 30 additional users. Photocopy this sheet as needed.

| User ### | Passcode | User Group | Area Authority | | | | | | | | User Name | |
|----------|----------|------------|----------------|----|----|----|----|----|----|----|-----------|--|
| | | | 25 | 26 | 27 | 28 | 29 | 30 | 31 | 32 | | |
| | _____ | ___ | — | — | — | — | — | — | — | — | USER | |
| | _____ | ___ | — | — | — | — | — | — | — | — | USER | |
| | _____ | ___ | — | — | — | — | — | — | — | — | USER | |
| | _____ | ___ | — | — | — | — | — | — | — | — | USER | |
| | _____ | ___ | — | — | — | — | — | — | — | — | USER | |
| | _____ | ___ | — | — | — | — | — | — | — | — | USER | |
| | _____ | ___ | — | — | — | — | — | — | — | — | USER | |
| | _____ | ___ | — | — | — | — | — | — | — | — | USER | |
| | _____ | ___ | — | — | — | — | — | — | — | — | USER | |
| | _____ | ___ | — | — | — | — | — | — | — | — | USER | |
| | _____ | ___ | — | — | — | — | — | — | — | — | USER | |
| | _____ | ___ | — | — | — | — | — | — | — | — | USER | |
| | _____ | ___ | — | — | — | — | — | — | — | — | USER | |
| | _____ | ___ | — | — | — | — | — | — | — | — | USER | |
| | _____ | ___ | — | — | — | — | — | — | — | — | USER | |
| | _____ | ___ | — | — | — | — | — | — | — | — | USER | |
| | _____ | ___ | — | — | — | — | — | — | — | — | USER | |
| | _____ | ___ | — | — | — | — | — | — | — | — | USER | |
| | _____ | ___ | — | — | — | — | — | — | — | — | USER | |
| | _____ | ___ | — | — | — | — | — | — | — | — | USER | |
| | _____ | ___ | — | — | — | — | — | — | — | — | USER | |
| | _____ | ___ | — | — | — | — | — | — | — | — | USER | |
| | _____ | ___ | — | — | — | — | — | — | — | — | USER | |
| | _____ | ___ | — | — | — | — | — | — | — | — | USER | |
| | _____ | ___ | — | — | — | — | — | — | — | — | USER | |
| | _____ | ___ | — | — | — | — | — | — | — | — | USER | |
| | _____ | ___ | — | — | — | — | — | — | — | — | USER | |
| | _____ | ___ | — | — | — | — | — | — | — | — | USER | |
| | _____ | ___ | — | — | — | — | — | — | — | — | USER | |
| | _____ | ___ | — | — | — | — | — | — | — | — | USER | |
| | _____ | ___ | — | — | — | — | — | — | — | — | USER | |
| | _____ | ___ | — | — | — | — | — | — | — | — | USER | |
| | _____ | ___ | — | — | — | — | — | — | — | — | USER | |
| | _____ | ___ | — | — | — | — | — | — | — | — | USER | |
| | _____ | ___ | — | — | — | — | — | — | — | — | USER | |
| | _____ | ___ | — | — | — | — | — | — | — | — | USER | |
| | _____ | ___ | — | — | — | — | — | — | — | — | USER | |
| | _____ | ___ | — | — | — | — | — | — | — | — | USER | |

Passcodes and Tokens

Default values are shown in () or in **bold**

Additional User (Token) Worksheet (Users ___ to ___)

Use this worksheet to record up to 30 additional users. Photocopy this sheet as needed.

| User ### | Master ID ### - 0 | | Sub-User ID ### - 1 | | Sub-User ID ### - 2 | | Sub-User ID ### - 3 | |
|-------------|-------------------|-----------|---------------------|-----------|---------------------|-----------|---------------------|-----------|
| | Site | Card Data | Site | Card Data | Site | Card Data | Site | Card Data |
| | | | | | | | | |
| | | | | | | | | |
| | | | | | | | | |
| | | | | | | | | |
| | | | | | | | | |
| | | | | | | | | |
| | | | | | | | | |
| | | | | | | | | |
| | | | | | | | | |
| | | | | | | | | |
| | | | | | | | | |
| | | | | | | | | |
| | | | | | | | | |
| | | | | | | | | |
| | | | | | | | | |
| | | | | | | | | |
| | | | | | | | | |
| | | | | | | | | |
| | | | | | | | | |
| | | | | | | | | |
| | | | | | | | | |
| | | | | | | | | |
| | | | | | | | | |
| | | | | | | | | |
| | | | | | | | | |
| | | | | | | | | |
| | | | | | | | | |
| | | | | | | | | |
| | | | | | | | | |
| | | | | | | | | |

Default values are shown in () or in **bold**

Points

Point Index

| | | Point Index Description | | | | | | | |
|---|---------------|-------------------------|------|------|------|------|------|------|------|
| Point Index Description Defaults: | | | | | | | | | |
| 1 24-Hour Instant Audible Alarm on Open or Short | | | | | | | | | |
| 2 Invisible/Silent Hold Up on Short | | | | | | | | | |
| 3 Fire Pull Station Alarm on Short | | | | | | | | | |
| 4 Smoke Detector with Reset Alarm on Short | | | | | | | | | |
| 5 Smoke Detector with Verification Reset and Alarm on Short | | | | | | | | | |
| 6 Bell Supervision Trouble on Open / Short | | | | | | | | | |
| 7 Perimeter Instant Alarm on Open or Short, Watch Point When Disarmed | | | | | | | | | |
| 8 Perimeter Delay on Short, Instant Arm on Short, Watch Point when Disarmed | | | | | | | | | |
| Prompt | Point Index # | 1 | 2 | 3 | 4 | 5 | 6 | 7 | 8 |
| Type | | (0) | (0) | (0) | (0) | (0) | (0) | (1) | (1) |
| Point Response | | (0) | (1) | (1) | (1) | (1) | (3) | (1) | (7) |
| Entry Delay | | (30) | (30) | (30) | (30) | (30) | (30) | (30) | (30) |
| Entry Tone Off | | Y/N | Y/N | Y/N | Y/N | Y/N | Y/N | Y/N | Y/N |
| Silent Bell | | Y/N | Y/N | Y/N | Y/N | Y/N | Y/N | Y/N | Y/N |
| Ring Until Restored | | Y/N | Y/N | Y/N | Y/N | Y/N | Y/N | Y/N | Y/N |
| Audible After Two Fails | | Y/N | Y/N | Y/N | Y/N | Y/N | Y/N | Y/N | Y/N |
| Invisible Point | | Y/N | Y/N | Y/N | Y/N | Y/N | Y/N | Y/N | Y/N |
| Buzz on Fault | | | | | | | (1) | | |
| Watch Point | | Y/N | Y/N | Y/N | Y/N | Y/N | Y/N | Y/N | Y/N |
| Relay Response Type | | | | | | | | | |
| Display as Device | | Y/N | Y/N | Y/N | Y/N | Y/N | Y/N | Y/N | Y/N |
| Local While Disarmed | | Y/N | Y/N | Y/N | Y/N | Y/N | Y/N | Y/N | Y/N |
| Local While Armed | | Y/N | Y/N | Y/N | Y/N | Y/N | Y/N | Y/N | Y/N |
| Disable Restorals | | Y/N | Y/N | Y/N | Y/N | Y/N | Y/N | Y/N | Y/N |
| FA Returnable | | Y/N | Y/N | Y/N | Y/N | Y/N | Y/N | Y/N | Y/N |
| Bypass Returnable | | Y/N | Y/N | Y/N | Y/N | Y/N | Y/N | Y/N | Y/N |
| Bypassable | | Y/N | Y/N | Y/N | Y/N | Y/N | Y/N | Y/N | Y/N |
| Swinger Bypass | | Y/N | Y/N | Y/N | Y/N | Y/N | Y/N | Y/N | Y/N |
| Report Bypass at Occurrence | | Y/N | Y/N | Y/N | Y/N | Y/N | Y/N | Y/N | Y/N |
| Defer Bypass Report | | Y/N | Y/N | Y/N | Y/N | Y/N | Y/N | Y/N | Y/N |
| Cross Point | | Y/N | Y/N | Y/N | Y/N | Y/N | Y/N | Y/N | Y/N |
| Fire Point | | Y/N | Y/N | Y/N | Y/N | Y/N | Y/N | Y/N | Y/N |
| Alarm Verify | | Y/N | Y/N | Y/N | Y/N | Y/N | Y/N | Y/N | Y/N |
| Resettable | | Y/N | Y/N | Y/N | Y/N | Y/N | Y/N | Y/N | Y/N |
| Alarm Abort | | Y/N | Y/N | Y/N | Y/N | Y/N | Y/N | Y/N | Y/N |

| Point Type Selections | | |
|-----------------------|----------------------|---------------------------|
| 0 | 24-Hour | 6 O/C Point |
| 1 | Perimeter | 7 D279 (O/C Non-Priority) |
| 2 | Interior | 8 D279 (O/C Priority) |
| 3 | Interior Follower | 9 Easikey |
| 4 | Keyswitch Maintained | 11 Aux AC Supervision |
| 5 | Keyswitch Momentary | |

| Point Response Selections* | | 0 | 1 | 2 | 3 | 4 | 5 | 6 | 7 | 8 | 9 | A | B | C | D | E | F |
|----------------------------|-------|---|---|---|---|---|---|---|---|---|---|---|---|---|---|----------------|---|
| Armed | Open | I | I | I | I | D | D | I | I | D | I | I | I | I | I | T | |
| | Short | I | I | I | I | I | I | D | D | D | I | I | I | I | I | I | |
| Disarmed | Open | | T | | T | | | | T | | I | I | T | I | | T | |
| | Short | | | T | T | | T | | | | I | T | I | | I | | |
| 24-Hour | Open | I | T | I | T | | | I | T | S | T | S | | S | | Not Applicable | |
| | Short | I | I | T | T | I | T | | | T | S | | S | S | | Not Applicable | |

*Selections: D = Delayed Response, I = Instant Alarm, S = Supervisory, T = Trouble, Blank = No Response

Points

Default values are shown in () or in **bold**

Point Index (continued)

| | | Point Index Description | | | | | | | |
|--|---------------|-------------------------|------|------|------|------|------|------|------|
| Prompt | Point Index # | 9 | 10 | 11 | 12 | 13 | 14 | 15 | 16 |
| Point Index Description Defaults: 9 Perimeter Instant Alarm on Open or Short, Local while Disarmed 10 Interior Instant Alarm on Open or Short 11 Interior Delay on Short, Alarm on Open 12 Interior Instant Alarm on Open or Short, Local While Disarmed 13 Interior Follower Delay on Short, Alarm on Open 14 Maintained Keyswitch 15 Momentary Keyswitch 16 Open/Close on Fault | | | | | | | | | |
| Type | | (1) | (2) | (2) | (2) | (3) | (4) | (5) | (6) |
| Point Response | | (B) | (1) | (7) | (B) | (7) | (1) | (1) | (1) |
| Entry Delay | | (30) | (30) | (30) | (30) | (30) | (30) | (30) | (30) |
| Entry Tone Off | | Y/N | Y/N | Y/N | Y/N | Y/N | Y/N | Y/N | Y/N |
| Silent Bell | | Y/N | Y/N | Y/N | Y/N | Y/N | Y/N | Y/N | Y/N |
| Ring Until Restored | | Y/N | Y/N | Y/N | Y/N | Y/N | Y/N | Y/N | Y/N |
| Audible After Two Fails | | Y/N | Y/N | Y/N | Y/N | Y/N | Y/N | Y/N | Y/N |
| Invisible Point | | Y/N | Y/N | Y/N | Y/N | Y/N | Y/N | Y/N | Y/N |
| Buzz on Fault | | (1) | | | | | | | |
| Watch Point | | Y/N | Y/N | Y/N | Y/N | Y/N | Y/N | Y/N | Y/N |
| Relay Response Type | | | | | | | | | |
| Display as Device | | Y/N | Y/N | Y/N | Y/N | Y/N | Y/N | Y/N | Y/N |
| Local While Disarmed | | Y/N | Y/N | Y/N | Y/N | Y/N | Y/N | Y/N | Y/N |
| Local While Armed | | Y/N | Y/N | Y/N | Y/N | Y/N | Y/N | Y/N | Y/N |
| Disable Restorals | | Y/N | Y/N | Y/N | Y/N | Y/N | Y/N | Y/N | Y/N |
| FA Returnable | | Y/N | Y/N | Y/N | Y/N | Y/N | Y/N | Y/N | Y/N |
| Bypass Returnable | | Y/N | Y/N | Y/N | Y/N | Y/N | Y/N | Y/N | Y/N |
| Bypassable | | Y/N | Y/N | Y/N | Y/N | Y/N | Y/N | Y/N | Y/N |
| Swinger Bypass | | Y/N | Y/N | Y/N | Y/N | Y/N | Y/N | Y/N | Y/N |
| Report Bypass at Occurrence | | Y/N | Y/N | Y/N | Y/N | Y/N | Y/N | Y/N | Y/N |
| Defer Bypass Report | | Y/N | Y/N | Y/N | Y/N | Y/N | Y/N | Y/N | Y/N |
| Cross Point | | Y/N | Y/N | Y/N | Y/N | Y/N | Y/N | Y/N | Y/N |
| Fire Point | | Y/N | Y/N | Y/N | Y/N | Y/N | Y/N | Y/N | Y/N |
| Alarm Verify | | Y/N | Y/N | Y/N | Y/N | Y/N | Y/N | Y/N | Y/N |
| Resettable | | Y/N | Y/N | Y/N | Y/N | Y/N | Y/N | Y/N | Y/N |
| Alarm Abort | | Y/N | Y/N | Y/N | Y/N | Y/N | Y/N | Y/N | Y/N |

| Point Type Selections | | | Point Response Selections* | | | | | | | | | | | | | | | | |
|-----------------------|----------------------|---------------------------|----------------------------|-------|---|---|---|---|---|---|---|---|---|---|---|---|---|----------------|--|
| | | | 0 | 1 | 2 | 3 | 4 | 5 | 6 | 7 | 8 | 9 | A | B | C | D | E | F | |
| 0 | 24-Hour | 6 O/C Point | Armed | Open | I | I | I | I | D | D | I | I | D | I | I | I | I | T | |
| 1 | Perimeter | 7 D279 (O/C Non-Priority) | | Short | I | I | I | I | I | D | D | D | I | I | I | I | I | I | |
| 2 | Interior | 8 D279 (O/C Priority) | Disarmed | Open | | T | | T | | | T | | I | I | T | I | | T | |
| 3 | Interior Follower | 9 Easikey | | Short | | | T | T | | T | | | | I | T | I | | I | |
| 4 | Keyswitch Maintained | 11 Aux AC Supervision | 24-Hour | Open | I | T | I | T | | | I | T | S | T | S | | S | Not Applicable | |
| 5 | Keyswitch Momentary | | | Short | I | I | T | T | I | T | | | T | S | | S | S | | |

*Selections: D = Delayed Response, I = Instant Alarm, S = Supervisory, T = Trouble, Blank = No Response

Default values are shown in () or in **bold**

Points

Point Index (continued)

| | | Point Index Description | | | | | | | |
|--|---------------|-------------------------|------|------|------|------|------|------|-----------|
| Prompt | Point Index # | 17 | 18 | 19 | 20 | 21 | 22 | 23 | 24 |
| Point Index Description Defaults: 17 D279 (Non-Priority) 18 D279 (Priority) 19 Easikey Input 20 POPIT Motion Sensor Interior 21 POPIT Motion Sensor Perimeter 22 Fire Supervisory on Open, Trouble on Short 23 Non-Fire Supervisory on Open, Trouble on Short 24 Local, No Visual or Audible Display on Any Fault Armed or Disarmed with Relay Output | | | | | | | | | |
| Type | | (7) | (8) | (9) | (2) | (1) | (0) | (0) | (1) |
| Point Response | | (1) | (2) | (1) | (E) | (E) | (8) | (8) | (F) |
| Entry Delay | | (30) | (30) | (30) | (30) | (30) | (30) | (30) | (30) |
| Entry Tone Off | | Y/N | Y/N | Y/N | Y/N | Y/N | Y/N | Y/N | Y/N |
| Silent Bell | | Y/N | Y/N | Y/N | Y/N | Y/N | Y/N | Y/N | Y/N |
| Ring Until Restored | | Y/N | Y/N | Y/N | Y/N | Y/N | Y/N | Y/N | Y/N |
| Audible After Two Fails | | Y/N | Y/N | Y/N | Y/N | Y/N | Y/N | Y/N | Y/N |
| Invisible Point | | Y/N | Y/N | Y/N | Y/N | Y/N | Y/N | Y/N | Y/N |
| Buzz on Fault | | | | | | | | | |
| Watch Point | | Y/N | Y/N | Y/N | Y/N | Y/N | Y/N | Y/N | Y/N |
| Relay Response Type | | | | | | | | | (1) _____ |
| Display as Device | | Y/N | Y/N | Y/N | Y/N | Y/N | Y/N | Y/N | Y/N |
| Local While Disarmed | | Y/N | Y/N | Y/N | Y/N | Y/N | Y/N | Y/N | Y/N |
| Local While Armed | | Y/N | Y/N | Y/N | Y/N | Y/N | Y/N | Y/N | Y/N |
| Disable Restorals | | Y/N | Y/N | Y/N | Y/N | Y/N | Y/N | Y/N | Y/N |
| FA Returnable | | Y/N | Y/N | Y/N | Y/N | Y/N | Y/N | Y/N | Y/N |
| Bypass Returnable | | Y/N | Y/N | Y/N | Y/N | Y/N | Y/N | Y/N | Y/N |
| Bypassable | | Y/N | Y/N | Y/N | Y/N | Y/N | Y/N | Y/N | Y/N |
| Swinger Bypass | | Y/N | Y/N | Y/N | Y/N | Y/N | Y/N | Y/N | Y/N |
| Report Bypass at Occurrence | | Y/N | Y/N | Y/N | Y/N | Y/N | Y/N | Y/N | Y/N |
| Defer Bypass Report | | Y/N | Y/N | Y/N | Y/N | Y/N | Y/N | Y/N | Y/N |
| Cross Point | | Y/N | Y/N | Y/N | Y/N | Y/N | Y/N | Y/N | Y/N |
| Fire Point | | Y/N | Y/N | Y/N | Y/N | Y/N | Y/N | Y/N | Y/N |
| Alarm Verify | | Y/N | Y/N | Y/N | Y/N | Y/N | Y/N | Y/N | Y/N |
| Resettable | | Y/N | Y/N | Y/N | Y/N | Y/N | Y/N | Y/N | Y/N |
| Alarm Abort | | Y/N | Y/N | Y/N | Y/N | Y/N | Y/N | Y/N | Y/N |

| Point Type Selections | |
|-----------------------|--|
| 0 | 24-Hour 6 O/C Point |
| 1 | Perimeter 7 D279 (O/C Non-Priority) |
| 2 | Interior 8 D279 (O/C Priority) |
| 3 | Interior Follower 9 Easikey |
| 4 | Keyswitch Maintained 11 Aux AC Supervision |
| 5 | Keyswitch Momentary |

| Point Response Selections* | | 0 | 1 | 2 | 3 | 4 | 5 | 6 | 7 | 8 | 9 | A | B | C | D | E | F |
|----------------------------|-------|---|---|---|---|---|---|---|---|---|---|---|---|---|---|----------------|---|
| Armed | Open | I | I | I | I | D | D | I | I | D | I | I | I | I | I | T | |
| | Short | I | I | I | I | I | I | D | D | D | I | I | I | I | I | I | |
| Disarmed | Open | | T | | T | | | | | T | | I | I | T | I | | T |
| | Short | | | T | T | | T | | | | | I | T | I | | I | |
| 24-Hour | Open | I | T | I | T | | | I | T | S | T | S | | S | | Not Applicable | |
| | Short | I | I | T | T | I | T | | | T | S | | S | S | | Not Applicable | |

*Selections: D = Delayed Response, I = Instant Alarm, S = Supervisory, T = Trouble, Blank = No Response

Points

Default values are shown in () or in **bold**

Point Index (continued)

| | | Point Index Description | | | | | | |
|--|--|-------------------------|------|------|------|------|------|------|
| Point Index Description Defaults: | | | | | | | | |
| 25 | Perimeter Delay on Open, Alarm on Short | | | | | | | |
| 26 | 24-Hour Instant Audible Alarm on Open or Short | | | | | | | |
| 27 | 24-Hour Instant Audible Alarm on Open or Short | | | | | | | |
| 28 | 24-Hour Instant Audible Alarm on Open or Short | | | | | | | |
| 29 | 24-Hour Instant Audible Alarm on Open or Short | | | | | | | |
| 30 | 24-Hour Instant Audible Alarm on Open or Short | | | | | | | |
| 31 | 24-Hour Instant Audible Alarm on Open or Short | | | | | | | |
| Prompt | Point Index # | 25 | 26 | 27 | 28 | 29 | 30 | 31 |
| Type | | (1) | (0) | (0) | (0) | (0) | (0) | (0) |
| Point Response | | (4) | (0) | (0) | (0) | (0) | (0) | (0) |
| Entry Delay | | (30) | (30) | (30) | (30) | (30) | (30) | (30) |
| Entry Tone Off | | Y/N | Y/N | Y/N | Y/N | Y/N | Y/N | Y/N |
| Silent Bell | | Y/N | Y/N | Y/N | Y/N | Y/N | Y/N | Y/N |
| Ring Until Restored | | Y/N | Y/N | Y/N | Y/N | Y/N | Y/N | Y/N |
| Audible After Two Fails | | Y/N | Y/N | Y/N | Y/N | Y/N | Y/N | Y/N |
| Invisible Point | | Y/N | Y/N | Y/N | Y/N | Y/N | Y/N | Y/N |
| Buzz on Fault | | | | | | | | |
| Watch Point | | Y/N | Y/N | Y/N | Y/N | Y/N | Y/N | Y/N |
| Relay Response Type | | | | | | | | |
| Display as Device | | Y/N | Y/N | Y/N | Y/N | Y/N | Y/N | Y/N |
| Local While Disarmed | | Y/N | Y/N | Y/N | Y/N | Y/N | Y/N | Y/N |
| Local While Armed | | Y/N | Y/N | Y/N | Y/N | Y/N | Y/N | Y/N |
| Disable Restorals | | Y/N | Y/N | Y/N | Y/N | Y/N | Y/N | Y/N |
| FA Returnable | | Y/N | Y/N | Y/N | Y/N | Y/N | Y/N | Y/N |
| Bypass Returnable | | Y/N | Y/N | Y/N | Y/N | Y/N | Y/N | Y/N |
| Bypassable | | Y/N | Y/N | Y/N | Y/N | Y/N | Y/N | Y/N |
| Swinger Bypass | | Y/N | Y/N | Y/N | Y/N | Y/N | Y/N | Y/N |
| Report Bypass at Occurrence | | Y/N | Y/N | Y/N | Y/N | Y/N | Y/N | Y/N |
| Defer Bypass Report | | Y/N | Y/N | Y/N | Y/N | Y/N | Y/N | Y/N |
| Cross Point | | Y/N | Y/N | Y/N | Y/N | Y/N | Y/N | Y/N |
| Fire Point | | Y/N | Y/N | Y/N | Y/N | Y/N | Y/N | Y/N |
| Alarm Verify | | Y/N | Y/N | Y/N | Y/N | Y/N | Y/N | Y/N |
| Resettable | | Y/N | Y/N | Y/N | Y/N | Y/N | Y/N | Y/N |
| Alarm Abort | | Y/N | Y/N | Y/N | Y/N | Y/N | Y/N | Y/N |

| Point Type Selections | | |
|-----------------------|----------------------|---------------------------|
| 0 | 24-Hour | 6 O/C Point |
| 1 | Perimeter | 7 D279 (O/C Non-Priority) |
| 2 | Interior | 8 D279 (O/C Priority) |
| 3 | Interior Follower | 9 Easikey |
| 4 | Keyswitch Maintained | 11 Aux AC Supervision |
| 5 | Keyswitch Momentary | |

| Point Response Selections* | | 0 | 1 | 2 | 3 | 4 | 5 | 6 | 7 | 8 | 9 | A | B | C | D | E | F |
|----------------------------|-------|---|---|---|---|---|---|---|---|---|---|---|---|---|----------------|---|---|
| Armed | Open | I | I | I | I | D | D | I | I | D | I | I | I | I | I | T | |
| | Short | I | I | I | I | I | I | D | D | D | I | I | I | I | I | I | |
| Disarmed | Open | | T | | T | | | | T | | I | I | T | I | | T | |
| | Short | | | T | T | | T | | | | I | T | I | | I | | |
| 24-Hour | Open | I | T | I | T | | | I | T | S | T | S | | S | Not Applicable | | |
| | Short | I | I | T | T | I | T | | | T | S | | S | S | Not Applicable | | |

*Selections: D = Delayed Response, I = Instant Alarm, S = Supervisory, T = Trouble, Blank = No Response

Default values are shown in () or in **bold**

Points

Point Assignments (001 through 040)

| POPIT Switch Setting | Trans-lation | Point # | Point Index | Area Assign | Debounce | Relay | Custom Point Text |
|----------------------|--------------|---------|-------------|-------------|----------|--------|-------------------|
| | 100 | 001 | (3) -- | (1) -- | (2) -- | (1) -- | P1 FIRE _____ |
| | 200 | 002 | (1) -- | (1) -- | (2) -- | (2) -- | P2 PANIC _____ |
| | 300 | 003 | (25) -- | (1) -- | (2) -- | (3) -- | P3 DELAY _____ |
| | 400 | 004 | (13) -- | (1) -- | (2) -- | (4) -- | P4 FOLLOW _____ |
| | 500 | 005 | (7) -- | (1) -- | (2) -- | (5) -- | P5 INSTANT _____ |
| | 600 | 006 | (7) -- | (1) -- | (2) -- | (6) -- | P6 INSTANT _____ |
| | 700 | 007 | (7) -- | (1) -- | (2) -- | (7) -- | P7 INSTANT _____ |
| | 800 | 008 | (7) -- | (1) -- | (2) -- | (8) -- | P8 INSTANT _____ |
| 0 1 2 3 4 5 6 | 101 | 009 | --- | (1) -- | (2) -- | (1) -- | P9 _____ |
| 0 1 2 3 4 5 _ | 102 | 010 | --- | (1) -- | (2) -- | (1) -- | P10 _____ |
| 0 1 2 3 4 _ 6 | 103 | 011 | --- | (1) -- | (2) -- | (1) -- | P11 _____ |
| 0 1 2 3 4 _ _ | 104 | 012 | --- | (1) -- | (2) -- | (1) -- | P12 _____ |
| 0 1 2 3 _ 5 6 | 105 | 013 | --- | (1) -- | (2) -- | (1) -- | P13 _____ |
| 0 1 2 3 _ 5 _ | 106 | 014 | --- | (1) -- | (2) -- | (1) -- | P14 _____ |
| 0 1 2 3 _ _ 6 | 107 | 015 | --- | (1) -- | (2) -- | (1) -- | P15 _____ |
| 0 1 2 3 _ _ _ | 108 | 016 | --- | (1) -- | (2) -- | (1) -- | P16 _____ |
| 0 1 2 _ 4 5 6 | 109 | 017 | --- | (1) -- | (2) -- | (1) -- | P17 _____ |
| 0 1 2 _ 4 5 _ | 110 | 018 | --- | (1) -- | (2) -- | (1) -- | P18 _____ |
| 0 1 2 _ 4 _ 6 | 111 | 019 | --- | (1) -- | (2) -- | (1) -- | P19 _____ |
| 0 1 2 _ 4 _ _ | 112 | 020 | --- | (1) -- | (2) -- | (1) -- | P20 _____ |
| 0 1 2 _ _ 5 6 | 113 | 021 | --- | (1) -- | (2) -- | (1) -- | P21 _____ |
| 0 1 2 _ _ 5 _ | 114 | 022 | --- | (1) -- | (2) -- | (1) -- | P22 _____ |
| 0 1 2 _ _ _ 6 | 115 | 023 | --- | (1) -- | (2) -- | (1) -- | P23 _____ |
| 0 1 2 _ _ _ _ | 116 | 024 | --- | (1) -- | (2) -- | (1) -- | P24 _____ |
| 0 1 _ 3 4 5 6 | 201 | 025 | --- | (1) -- | (2) -- | (1) -- | P25 _____ |
| 0 1 _ 3 4 5 _ | 202 | 026 | --- | (1) -- | (2) -- | (1) -- | P26 _____ |
| 0 1 _ 3 4 _ 6 | 203 | 027 | --- | (1) -- | (2) -- | (1) -- | P27 _____ |
| 0 1 _ 3 4 _ _ | 204 | 028 | --- | (1) -- | (2) -- | (1) -- | P28 _____ |
| 0 1 _ 3 _ 5 6 | 205 | 029 | --- | (1) -- | (2) -- | (1) -- | P29 _____ |
| 0 1 _ 3 _ 5 _ | 206 | 030 | --- | (1) -- | (2) -- | (1) -- | P30 _____ |
| 0 1 _ 3 _ _ 6 | 207 | 031 | --- | (1) -- | (2) -- | (1) -- | P31 _____ |
| 0 1 _ 3 _ _ _ | 208 | 032 | --- | (1) -- | (2) -- | (1) -- | P32 _____ |
| 0 1 _ _ 4 5 6 | 209 | 033 | --- | (1) -- | (2) -- | (1) -- | P33 _____ |
| 0 1 _ _ 4 5 _ | 210 | 034 | --- | (1) -- | (2) -- | (1) -- | P34 _____ |
| 0 1 _ _ 4 _ 6 | 211 | 035 | --- | (1) -- | (2) -- | (1) -- | P35 _____ |
| 0 1 _ _ 4 _ _ | 212 | 036 | --- | (1) -- | (2) -- | (1) -- | P36 _____ |
| 0 1 _ _ _ 5 6 | 213 | 037 | --- | (1) -- | (2) -- | (1) -- | P37 _____ |
| 0 1 _ _ _ 5 _ | 214 | 038 | --- | (1) -- | (2) -- | (1) -- | P38 _____ |
| 0 1 _ _ _ _ 6 | 215 | 039 | --- | (1) -- | (2) -- | (1) -- | P39 _____ |
| 0 1 _ _ _ _ _ | 216 | 040 | --- | (1) -- | (2) -- | (1) -- | P40 _____ |

Points

Default values are shown in () or in **bold**

Point Assignments (041 through 080)

| POPIT Switch Setting | Trans-lation | Point # | Point Index | Area Assign | Debounce | Relay | Custom Point Text |
|--------------------------------------|--------------|---------|-------------|-------------|----------|-------|-------------------|
| 0 _ 2 3 4 5 6 | 301 | 041 | --- | (1) _ | (2) _ | (1) _ | P41 |
| 0 _ 2 3 4 5 _ | 302 | 042 | --- | (1) _ | (2) _ | (1) _ | P42 |
| 0 _ 2 3 4 _ 6 | 303 | 043 | --- | (1) _ | (2) _ | (1) _ | P43 |
| 0 _ 2 3 4 _ _ | 304 | 044 | --- | (1) _ | (2) _ | (1) _ | P44 |
| 0 _ 2 3 _ 5 6 | 305 | 045 | --- | (1) _ | (2) _ | (1) _ | P45 |
| 0 _ 2 3 _ 5 _ | 306 | 046 | --- | (1) _ | (2) _ | (1) _ | P46 |
| 0 _ 2 3 _ _ 6 | 307 | 047 | --- | (1) _ | (2) _ | (1) _ | P47 |
| 0 _ 2 3 _ _ _ | 308 | 048 | --- | (1) _ | (2) _ | (1) _ | P48 |
| 0 _ 2 _ 4 5 6 | 309 | 049 | --- | (1) _ | (2) _ | (1) _ | P49 |
| 0 _ 2 _ 4 5 _ | 310 | 050 | --- | (1) _ | (2) _ | (1) _ | P50 |
| 0 _ 2 _ 4 _ 6 | 311 | 051 | --- | (1) _ | (2) _ | (1) _ | P51 |
| 0 _ 2 _ 4 _ _ | 312 | 052 | --- | (1) _ | (2) _ | (1) _ | P52 |
| 0 _ 2 _ _ 5 6 | 313 | 053 | --- | (1) _ | (2) _ | (1) _ | P53 |
| 0 _ 2 _ _ 5 _ | 314 | 054 | --- | (1) _ | (2) _ | (1) _ | P54 |
| 0 _ 2 _ _ _ 6 | 315 | 055 | --- | (1) _ | (2) _ | (1) _ | P55 |
| 0 _ 2 _ _ _ _ | 316 | 056 | --- | (1) _ | (2) _ | (1) _ | P56 |
| 0 _ _ 3 4 5 6 | 401 | 057 | --- | (1) _ | (2) _ | (1) _ | P57 |
| 0 _ _ 3 4 5 _ | 402 | 058 | --- | (1) _ | (2) _ | (1) _ | P58 |
| 0 _ _ 3 4 _ 6 | 403 | 059 | --- | (1) _ | (2) _ | (1) _ | P59 |
| 0 _ _ 3 4 _ _ | 404 | 060 | --- | (1) _ | (2) _ | (1) _ | P60 |
| 0 _ _ 3 _ 5 6 | 405 | 061 | --- | (1) _ | (2) _ | (1) _ | P61 |
| 0 _ _ 3 _ 5 _ | 406 | 062 | --- | (1) _ | (2) _ | (1) _ | P62 |
| 0 _ _ 3 _ _ 6 | 407 | 063 | --- | (1) _ | (2) _ | (1) _ | P63 |
| 0 _ _ 3 _ _ _ | 408 | 064 | --- | (1) _ | (2) _ | (1) _ | P64 |
| 0 _ _ _ 4 5 6 | 409 | 065 | --- | (1) _ | (2) _ | (1) _ | P65 |
| 0 _ _ _ 4 5 _ | 410 | 066 | --- | (1) _ | (2) _ | (1) _ | P66 |
| 0 _ _ _ 4 _ 6 | 411 | 067 | --- | (1) _ | (2) _ | (1) _ | P67 |
| 0 _ _ _ 4 _ _ | 412 | 068 | --- | (1) _ | (2) _ | (1) _ | P68 |
| 0 _ _ _ _ 5 6 | 413 | 069 | --- | (1) _ | (2) _ | (1) _ | P69 |
| 0 _ _ _ _ 5 _ | 414 | 070 | --- | (1) _ | (2) _ | (1) _ | P70 |
| 0 _ _ _ _ _ 6 | 415 | 071 | --- | (1) _ | (2) _ | (1) _ | P71 |
| 0 _ _ _ _ _ _ | 416 | 072 | --- | (1) _ | (2) _ | (1) _ | P72 |
| _ 1 2 3 4 5 6 | 501 | 073 | --- | (1) _ | (2) _ | (1) _ | P73 |
| _ 1 2 3 4 5 _ | 502 | 074 | --- | (1) _ | (2) _ | (1) _ | P74 |
| _ 1 2 3 4 _ 6 | 503 | 075 | --- | (1) _ | (2) _ | (1) _ | P75 |
| D7412GV3 Maximum of 75 Points | | | | | | | |
| _ 1 2 3 4 _ _ | 504 | 076 | --- | (1) _ | (2) _ | (1) _ | P76 |
| _ 1 2 3 _ 5 6 | 505 | 077 | --- | (1) _ | (2) _ | (1) _ | P77 |
| _ 1 2 3 _ 5 _ | 506 | 078 | --- | (1) _ | (2) _ | (1) _ | P78 |
| _ 1 2 3 _ _ 6 | 507 | 079 | --- | (1) _ | (2) _ | (1) _ | P79 |
| _ 1 2 3 _ _ _ | 508 | 080 | --- | (1) _ | (2) _ | (1) _ | P80 |

Default values are shown in () or in **bold**

Points

Point Assignments (081 through 120)

| POPIT Switch Setting | Trans-lation | Point # | Point Index | Area Assign | Debounce | Relay | Custom Point Text |
|----------------------|--------------|---------|-------------|-------------|----------|---------|-------------------|
| _ 1 2 _ 4 5 6 | 509 | 081 | ___ | (1) ___ | (2) ___ | (1) ___ | P81 |
| _ 1 2 _ 4 5 _ | 510 | 082 | ___ | (1) ___ | (2) ___ | (1) ___ | P82 |
| _ 1 2 _ 4 _ 6 | 511 | 083 | ___ | (1) ___ | (2) ___ | (1) ___ | P83 |
| _ 1 2 _ 4 _ _ | 512 | 084 | ___ | (1) ___ | (2) ___ | (1) ___ | P84 |
| _ 1 2 _ _ 5 6 | 513 | 085 | ___ | (1) ___ | (2) ___ | (1) ___ | P85 |
| _ 1 2 _ _ 5 _ | 514 | 086 | ___ | (1) ___ | (2) ___ | (1) ___ | P86 |
| _ 1 2 _ _ _ 6 | 515 | 087 | ___ | (1) ___ | (2) ___ | (1) ___ | P87 |
| _ 1 2 _ _ _ _ | 516 | 088 | ___ | (1) ___ | (2) ___ | (1) ___ | P88 |
| _ 1 _ 3 4 5 6 | 601 | 089 | ___ | (1) ___ | (2) ___ | (1) ___ | P89 |
| _ 1 _ 3 4 5 _ | 602 | 090 | ___ | (1) ___ | (2) ___ | (1) ___ | P90 |
| _ 1 _ 3 4 _ 6 | 603 | 091 | ___ | (1) ___ | (2) ___ | (1) ___ | P91 |
| _ 1 _ 3 4 _ _ | 604 | 092 | ___ | (1) ___ | (2) ___ | (1) ___ | P92 |
| _ 1 _ 3 _ 5 6 | 605 | 093 | ___ | (1) ___ | (2) ___ | (1) ___ | P93 |
| _ 1 _ 3 _ 5 _ | 606 | 094 | ___ | (1) ___ | (2) ___ | (1) ___ | P94 |
| _ 1 _ 3 _ _ 6 | 607 | 095 | ___ | (1) ___ | (2) ___ | (1) ___ | P95 |
| _ 1 _ 3 _ _ _ | 608 | 096 | ___ | (1) ___ | (2) ___ | (1) ___ | P96 |
| _ 1 _ _ 4 5 6 | 609 | 097 | ___ | (1) ___ | (2) ___ | (1) ___ | P97 |
| _ 1 _ _ 4 5 _ | 610 | 098 | ___ | (1) ___ | (2) ___ | (1) ___ | P98 |
| _ 1 _ _ 4 _ 6 | 611 | 099 | ___ | (1) ___ | (2) ___ | (1) ___ | P99 |
| _ 1 _ _ 4 _ _ | 612 | 100 | ___ | (1) ___ | (2) ___ | (1) ___ | P100 |
| _ 1 _ _ _ 5 6 | 613 | 101 | ___ | (1) ___ | (2) ___ | (1) ___ | P101 |
| _ 1 _ _ _ 5 _ | 614 | 102 | ___ | (1) ___ | (2) ___ | (1) ___ | P102 |
| _ 1 _ _ _ _ 6 | 615 | 103 | ___ | (1) ___ | (2) ___ | (1) ___ | P103 |
| _ 1 _ _ _ _ _ | 616 | 104 | ___ | (1) ___ | (2) ___ | (1) ___ | P104 |
| _ _ 2 3 4 5 6 | 701 | 105 | ___ | (1) ___ | (2) ___ | (1) ___ | P105 |
| _ _ 2 3 4 5 _ | 702 | 106 | ___ | (1) ___ | (2) ___ | (1) ___ | P106 |
| _ _ 2 3 4 _ 6 | 703 | 107 | ___ | (1) ___ | (2) ___ | (1) ___ | P107 |
| _ _ 2 3 4 _ _ | 704 | 108 | ___ | (1) ___ | (2) ___ | (1) ___ | P108 |
| _ _ 2 3 _ 5 6 | 705 | 109 | ___ | (1) ___ | (2) ___ | (1) ___ | P109 |
| _ _ 2 3 _ 5 _ | 706 | 110 | ___ | (1) ___ | (2) ___ | (1) ___ | P110 |
| _ _ 2 3 _ _ 6 | 707 | 111 | ___ | (1) ___ | (2) ___ | (1) ___ | P111 |
| _ _ 2 3 _ _ _ | 708 | 112 | ___ | (1) ___ | (2) ___ | (1) ___ | P112 |
| _ _ 2 _ 4 5 6 | 709 | 113 | ___ | (1) ___ | (2) ___ | (1) ___ | P113 |
| _ _ 2 _ 4 5 _ | 710 | 114 | ___ | (1) ___ | (2) ___ | (1) ___ | P114 |
| _ _ 2 _ 4 _ 6 | 711 | 115 | ___ | (1) ___ | (2) ___ | (1) ___ | P115 |
| _ _ 2 _ 4 _ _ | 712 | 116 | ___ | (1) ___ | (2) ___ | (1) ___ | P116 |
| _ _ 2 _ _ 5 6 | 713 | 117 | ___ | (1) ___ | (2) ___ | (1) ___ | P117 |
| _ _ 2 _ _ 5 _ | 714 | 118 | ___ | (1) ___ | (2) ___ | (1) ___ | P118 |
| _ _ 2 _ _ _ 6 | 715 | 119 | ___ | (1) ___ | (2) ___ | (1) ___ | P119 |
| _ _ 2 _ _ _ _ | 716 | 120 | ___ | (1) ___ | (2) ___ | (1) ___ | P120 |

Points

Default values are shown in () or in **bold**

Point Assignments (121 through 160)

| POPIIT Switch Setting | Trans-lation | Point # | Point Index | Area Assign | Debounce | Relay | Custom Point Text |
|-----------------------|--------------|---------|-------------|-------------|----------|---------|-------------------|
| _ _ _ 3 4 5 6 | 801 | 121 | ___ | (1) ___ | (2) ___ | (1) ___ | P121 _____ |
| _ _ _ 3 4 5 _ | 802 | 122 | ___ | (1) ___ | (2) ___ | (1) ___ | P122 _____ |
| _ _ _ 3 4 _ 6 | 803 | 123 | ___ | (1) ___ | (2) ___ | (1) ___ | P123 _____ |
| _ _ _ 3 4 _ _ | 804 | 124 | ___ | (1) ___ | (2) ___ | (1) ___ | P124 _____ |
| _ _ _ 3 _ 5 6 | 805 | 125 | ___ | (1) ___ | (2) ___ | (1) ___ | P125 _____ |
| _ _ _ 3 _ 5 _ | 806 | 126 | ___ | (1) ___ | (2) ___ | (1) ___ | P126 _____ |
| _ _ _ 3 _ _ 6 | 807 | 127 | ___ | (1) ___ | (2) ___ | (1) ___ | P127 _____ |

ZONEX 1 Maximum

| | | 128 | Not Used | | | | | |
|---------------|-----|-----|----------|---------|---------|---------|------------|--|
| 0 1 2 3 4 5 6 | 809 | 129 | ___ | (1) ___ | (2) ___ | (1) ___ | P129 _____ | |
| 0 1 2 3 4 5 _ | 810 | 130 | ___ | (1) ___ | (2) ___ | (1) ___ | P130 _____ | |
| 0 1 2 3 4 _ 6 | 811 | 131 | ___ | (1) ___ | (2) ___ | (1) ___ | P131 _____ | |
| 0 1 2 3 4 _ _ | 812 | 132 | ___ | (1) ___ | (2) ___ | (1) ___ | P132 _____ | |
| 0 1 2 3 _ 5 6 | 813 | 133 | ___ | (1) ___ | (2) ___ | (1) ___ | P133 _____ | |
| 0 1 2 3 _ 5 _ | 814 | 134 | ___ | (1) ___ | (2) ___ | (1) ___ | P134 _____ | |
| 0 1 2 3 _ _ 6 | 815 | 135 | ___ | (1) ___ | (2) ___ | (1) ___ | P135 _____ | |
| 0 1 2 3 _ _ _ | 816 | 136 | ___ | (1) ___ | (2) ___ | (1) ___ | P136 _____ | |
| 0 1 2 _ 4 5 6 | 117 | 137 | ___ | (1) ___ | (2) ___ | (1) ___ | P137 _____ | |
| 0 1 2 _ 4 5 _ | 118 | 138 | ___ | (1) ___ | (2) ___ | (1) ___ | P138 _____ | |
| 0 1 2 _ 4 _ 6 | 119 | 139 | ___ | (1) ___ | (2) ___ | (1) ___ | P139 _____ | |
| 0 1 2 _ 4 _ _ | 120 | 140 | ___ | (1) ___ | (2) ___ | (1) ___ | P140 _____ | |
| 0 1 2 _ _ 5 6 | 121 | 141 | ___ | (1) ___ | (2) ___ | (1) ___ | P141 _____ | |
| 0 1 2 _ _ 5 _ | 122 | 142 | ___ | (1) ___ | (2) ___ | (1) ___ | P142 _____ | |
| 0 1 2 _ _ _ 6 | 123 | 143 | ___ | (1) ___ | (2) ___ | (1) ___ | P143 _____ | |
| 0 1 2 _ _ _ _ | 124 | 144 | ___ | (1) ___ | (2) ___ | (1) ___ | P144 _____ | |
| 0 1 _ 3 4 5 6 | 125 | 145 | ___ | (1) ___ | (2) ___ | (1) ___ | P145 _____ | |
| 0 1 _ 3 4 5 _ | 126 | 146 | ___ | (1) ___ | (2) ___ | (1) ___ | P146 _____ | |
| 0 1 _ 3 4 _ 6 | 127 | 147 | ___ | (1) ___ | (2) ___ | (1) ___ | P147 _____ | |
| 0 1 _ 3 4 _ _ | 128 | 148 | ___ | (1) ___ | (2) ___ | (1) ___ | P148 _____ | |
| 0 1 _ 3 _ 5 6 | 129 | 149 | ___ | (1) ___ | (2) ___ | (1) ___ | P149 _____ | |
| 0 1 _ 3 _ 5 _ | 130 | 150 | ___ | (1) ___ | (2) ___ | (1) ___ | P150 _____ | |
| 0 1 _ 3 _ _ 6 | 131 | 151 | ___ | (1) ___ | (2) ___ | (1) ___ | P151 _____ | |
| 0 1 _ 3 _ _ _ | 132 | 152 | ___ | (1) ___ | (2) ___ | (1) ___ | P152 _____ | |
| 0 1 _ _ 4 5 6 | 217 | 153 | ___ | (1) ___ | (2) ___ | (1) ___ | P153 _____ | |
| 0 1 _ _ 4 5 _ | 218 | 154 | ___ | (1) ___ | (2) ___ | (1) ___ | P154 _____ | |
| 0 1 _ _ 4 _ 6 | 219 | 155 | ___ | (1) ___ | (2) ___ | (1) ___ | P155 _____ | |
| 0 1 _ _ 4 _ _ | 220 | 156 | ___ | (1) ___ | (2) ___ | (1) ___ | P156 _____ | |
| 0 1 _ _ _ 5 6 | 221 | 157 | ___ | (1) ___ | (2) ___ | (1) ___ | P157 _____ | |
| 0 1 _ _ _ 5 _ | 222 | 158 | ___ | (1) ___ | (2) ___ | (1) ___ | P158 _____ | |
| 0 1 _ _ _ _ 6 | 223 | 159 | ___ | (1) ___ | (2) ___ | (1) ___ | P159 _____ | |
| 0 1 _ _ _ _ _ | 224 | 160 | ___ | (1) ___ | (2) ___ | (1) ___ | P160 _____ | |

Default values are shown in () or in bold

Points

Point Assignments (161 through 200)

| POPIT Switch Setting | Trans-lation | Point # | Point Index | Area Assign | Debounce | Relay | Custom Point Text |
|----------------------|--------------|---------|-------------|-------------|----------|---------|-------------------|
| 0 _ 2 3 4 5 6 | 225 | 161 | ___ | (1) ___ | (2) ___ | (1) ___ | P161 _____ |
| 0 _ 2 3 4 5 _ | 226 | 162 | ___ | (1) ___ | (2) ___ | (1) ___ | P162 _____ |
| 0 _ 2 3 4 _ 6 | 227 | 163 | ___ | (1) ___ | (2) ___ | (1) ___ | P163 _____ |
| 0 _ 2 3 4 _ _ | 228 | 164 | ___ | (1) ___ | (2) ___ | (1) ___ | P164 _____ |
| 0 _ 2 3 _ 5 6 | 229 | 165 | ___ | (1) ___ | (2) ___ | (1) ___ | P165 _____ |
| 0 _ 2 3 _ _ 6 | 230 | 166 | ___ | (1) ___ | (2) ___ | (1) ___ | P166 _____ |
| 0 _ 2 3 _ _ _ | 231 | 167 | ___ | (1) ___ | (2) ___ | (1) ___ | P167 _____ |
| 0 _ 2 3 _ _ _ | 232 | 168 | ___ | (1) ___ | (2) ___ | (1) ___ | P168 _____ |
| 0 _ 2 _ 4 5 6 | 317 | 169 | ___ | (1) ___ | (2) ___ | (1) ___ | P169 _____ |
| 0 _ 2 _ 4 5 _ | 318 | 170 | ___ | (1) ___ | (2) ___ | (1) ___ | P170 _____ |
| 0 _ 2 _ 4 _ 6 | 319 | 171 | ___ | (1) ___ | (2) ___ | (1) ___ | P171 _____ |
| 0 _ 2 _ 4 _ _ | 320 | 172 | ___ | (1) ___ | (2) ___ | (1) ___ | P172 _____ |
| 0 _ 2 _ _ 5 6 | 321 | 173 | ___ | (1) ___ | (2) ___ | (1) ___ | P173 _____ |
| 0 _ 2 _ _ 5 _ | 322 | 174 | ___ | (1) ___ | (2) ___ | (1) ___ | P174 _____ |
| 0 _ 2 _ _ _ 6 | 323 | 175 | ___ | (1) ___ | (2) ___ | (1) ___ | P175 _____ |
| 0 _ 2 _ _ _ _ | 324 | 176 | ___ | (1) ___ | (2) ___ | (1) ___ | P176 _____ |
| 0 _ _ 3 4 5 6 | 325 | 177 | ___ | (1) ___ | (2) ___ | (1) ___ | P177 _____ |
| 0 _ _ 3 4 5 _ | 326 | 178 | ___ | (1) ___ | (2) ___ | (1) ___ | P178 _____ |
| 0 _ _ 3 4 _ 6 | 327 | 179 | ___ | (1) ___ | (2) ___ | (1) ___ | P179 _____ |
| 0 _ _ 3 4 _ _ | 328 | 180 | ___ | (1) ___ | (2) ___ | (1) ___ | P180 _____ |
| 0 _ _ 3 _ 5 6 | 329 | 181 | ___ | (1) ___ | (2) ___ | (1) ___ | P181 _____ |
| 0 _ _ 3 _ 5 _ | 330 | 182 | ___ | (1) ___ | (2) ___ | (1) ___ | P182 _____ |
| 0 _ _ 3 _ _ 6 | 331 | 183 | ___ | (1) ___ | (2) ___ | (1) ___ | P183 _____ |
| 0 _ _ 3 _ _ _ | 332 | 184 | ___ | (1) ___ | (2) ___ | (1) ___ | P184 _____ |
| 0 _ _ _ 4 5 6 | 417 | 185 | ___ | (1) ___ | (2) ___ | (1) ___ | P185 _____ |
| 0 _ _ _ 4 5 _ | 418 | 186 | ___ | (1) ___ | (2) ___ | (1) ___ | P186 _____ |
| 0 _ _ _ 4 _ 6 | 419 | 187 | ___ | (1) ___ | (2) ___ | (1) ___ | P187 _____ |
| 0 _ _ _ 4 _ _ | 420 | 188 | ___ | (1) ___ | (2) ___ | (1) ___ | P188 _____ |
| 0 _ _ _ _ 5 6 | 421 | 189 | ___ | (1) ___ | (2) ___ | (1) ___ | P189 _____ |
| 0 _ _ _ _ 5 _ | 422 | 190 | ___ | (1) ___ | (2) ___ | (1) ___ | P190 _____ |
| 0 _ _ _ _ _ 6 | 423 | 191 | ___ | (1) ___ | (2) ___ | (1) ___ | P191 _____ |
| 0 _ _ _ _ _ _ | 424 | 192 | ___ | (1) ___ | (2) ___ | (1) ___ | P192 _____ |
| _ 1 2 3 4 5 6 | 425 | 193 | ___ | (1) ___ | (2) ___ | (1) ___ | P193 _____ |
| _ 1 2 3 4 5 _ | 426 | 194 | ___ | (1) ___ | (2) ___ | (1) ___ | P194 _____ |
| _ 1 2 3 4 _ 6 | 427 | 195 | ___ | (1) ___ | (2) ___ | (1) ___ | P195 _____ |
| _ 1 2 3 4 _ _ | 428 | 196 | ___ | (1) ___ | (2) ___ | (1) ___ | P196 _____ |
| _ 1 2 3 _ 5 6 | 429 | 197 | ___ | (1) ___ | (2) ___ | (1) ___ | P197 _____ |
| _ 1 2 3 _ 5 _ | 430 | 198 | ___ | (1) ___ | (2) ___ | (1) ___ | P198 _____ |
| _ 1 2 3 _ _ 6 | 431 | 199 | ___ | (1) ___ | (2) ___ | (1) ___ | P199 _____ |
| _ 1 2 3 _ _ _ | 432 | 200 | ___ | (1) ___ | (2) ___ | (1) ___ | P200 _____ |

Points

Default values are shown in () or in **bold**

Point Assignments (201 through 239)

| POPIIT Switch Setting | Trans-lation | Point # | Point Index | Area Assign | Debounce | Relay | Custom Point Text |
|-----------------------|--------------|---------|-------------|-------------|----------|---------|-------------------|
| _ 1 2 _ 4 5 6 | 517 | 201 | ___ | (1) ___ | (2) ___ | (1) ___ | P201 _____ |
| _ 1 2 _ 4 5 _ | 518 | 202 | ___ | (1) ___ | (2) ___ | (1) ___ | P202 _____ |
| _ 1 2 _ 4 _ 6 | 519 | 203 | ___ | (1) ___ | (2) ___ | (1) ___ | P203 _____ |
| _ 1 2 _ 4 _ _ | 520 | 204 | ___ | (1) ___ | (2) ___ | (1) ___ | P204 _____ |
| _ 1 2 _ _ 5 6 | 521 | 205 | ___ | (1) ___ | (2) ___ | (1) ___ | P205 _____ |
| _ 1 2 _ _ 5 _ | 522 | 206 | ___ | (1) ___ | (2) ___ | (1) ___ | P206 _____ |
| _ 1 2 _ _ _ 6 | 523 | 207 | ___ | (1) ___ | (2) ___ | (1) ___ | P207 _____ |
| _ 1 2 _ _ _ _ | 524 | 208 | ___ | (1) ___ | (2) ___ | (1) ___ | P208 _____ |
| _ 1 _ 3 4 5 6 | 525 | 209 | ___ | (1) ___ | (2) ___ | (1) ___ | P209 _____ |
| _ 1 _ 3 4 5 _ | 526 | 210 | ___ | (1) ___ | (2) ___ | (1) ___ | P210 _____ |
| _ 1 _ 3 4 _ 6 | 527 | 211 | ___ | (1) ___ | (2) ___ | (1) ___ | P211 _____ |
| _ 1 _ 3 4 _ _ | 528 | 212 | ___ | (1) ___ | (2) ___ | (1) ___ | P212 _____ |
| _ 1 _ 3 _ 5 6 | 529 | 213 | ___ | (1) ___ | (2) ___ | (1) ___ | P213 _____ |
| _ 1 _ 3 _ 5 _ | 530 | 214 | ___ | (1) ___ | (2) ___ | (1) ___ | P214 _____ |
| _ 1 _ 3 _ _ 6 | 531 | 215 | ___ | (1) ___ | (2) ___ | (1) ___ | P215 _____ |
| _ 1 _ 3 _ _ _ | 532 | 216 | ___ | (1) ___ | (2) ___ | (1) ___ | P216 _____ |
| _ 1 _ _ 4 5 6 | 617 | 217 | ___ | (1) ___ | (2) ___ | (1) ___ | P217 _____ |
| _ 1 _ _ 4 5 _ | 618 | 218 | ___ | (1) ___ | (2) ___ | (1) ___ | P218 _____ |
| _ 1 _ _ 4 _ 6 | 619 | 219 | ___ | (1) ___ | (2) ___ | (1) ___ | P219 _____ |
| _ 1 _ _ 4 _ _ | 620 | 220 | ___ | (1) ___ | (2) ___ | (1) ___ | P220 _____ |
| _ 1 _ _ _ 5 6 | 621 | 221 | ___ | (1) ___ | (2) ___ | (1) ___ | P221 _____ |
| _ 1 _ _ _ 5 _ | 622 | 222 | ___ | (1) ___ | (2) ___ | (1) ___ | P222 _____ |
| _ 1 _ _ _ _ 6 | 623 | 223 | ___ | (1) ___ | (2) ___ | (1) ___ | P223 _____ |
| _ 1 _ _ _ _ _ | 624 | 224 | ___ | (1) ___ | (2) ___ | (1) ___ | P224 _____ |
| _ _ 2 3 4 5 6 | 625 | 225 | ___ | (1) ___ | (2) ___ | (1) ___ | P225 _____ |
| _ _ 2 3 4 5 _ | 626 | 226 | ___ | (1) ___ | (2) ___ | (1) ___ | P226 _____ |
| _ _ 2 3 4 _ 6 | 627 | 227 | ___ | (1) ___ | (2) ___ | (1) ___ | P227 _____ |
| _ _ 2 3 4 _ _ | 628 | 228 | ___ | (1) ___ | (2) ___ | (1) ___ | P228 _____ |
| _ _ 2 3 _ 5 6 | 629 | 229 | ___ | (1) ___ | (2) ___ | (1) ___ | P229 _____ |
| _ _ 2 3 _ 5 _ | 630 | 230 | ___ | (1) ___ | (2) ___ | (1) ___ | P230 _____ |
| _ _ 2 3 _ _ 6 | 631 | 231 | ___ | (1) ___ | (2) ___ | (1) ___ | P231 _____ |
| _ _ 2 3 _ _ _ | 632 | 232 | ___ | (1) ___ | (2) ___ | (1) ___ | P232 _____ |
| _ _ 2 _ 4 5 6 | 717 | 233 | ___ | (1) ___ | (2) ___ | (1) ___ | P233 _____ |
| _ _ 2 _ 4 5 _ | 718 | 234 | ___ | (1) ___ | (2) ___ | (1) ___ | P234 _____ |
| _ _ 2 _ 4 _ 6 | 719 | 235 | ___ | (1) ___ | (2) ___ | (1) ___ | P235 _____ |
| _ _ 2 _ 4 _ _ | 720 | 236 | ___ | (1) ___ | (2) ___ | (1) ___ | P236 _____ |
| _ _ 2 _ _ 5 6 | 721 | 237 | ___ | (1) ___ | (2) ___ | (1) ___ | P237 _____ |
| _ _ 2 _ _ 5 _ | 722 | 238 | ___ | (1) ___ | (2) ___ | (1) ___ | P238 _____ |
| _ _ 2 _ _ _ 6 | 723 | 239 | ___ | (1) ___ | (2) ___ | (1) ___ | P239 _____ |

Default values are shown in () or in **bold**

Points

Point Assignments (240 through 247)

| POPIT Switch Setting | Translation | Point # | Point Index | Area Assign | Debounce | Relay | Custom Point Text |
|----------------------|-------------|---------|-------------|-------------|----------|---------|-------------------|
| -- 2 ----- | 724 | 240 | --- | (1) --- | (2) --- | (1) --- | P240 _____ |
| --- 3 4 5 6 | 725 | 241 | --- | (1) --- | (2) --- | (1) --- | P241 _____ |
| --- 3 4 5 _ | 726 | 242 | --- | (1) --- | (2) --- | (1) --- | P242 _____ |
| --- 3 4 _ 6 | 727 | 243 | --- | (1) --- | (2) --- | (1) --- | P243 _____ |
| --- 3 4 _ _ | 728 | 244 | --- | (1) --- | (2) --- | (1) --- | P244 _____ |
| --- 3 _ 5 6 | 729 | 245 | --- | (1) --- | (2) --- | (1) --- | P245 _____ |
| --- 3 _ 5 _ | 730 | 246 | --- | (1) --- | (2) --- | (1) --- | P246 _____ |
| --- 3 _ _ 6 | 731 | 247 | --- | (1) --- | (2) --- | (1) --- | P247 _____ |

CMD 7 and CMD 9

| Command | Point Index | Relay | Point Text |
|-----------|-------------|-----------|-----------------|
| COMMAND 7 | (31) _____ | (1) _____ | COMMAND 7 _____ |
| COMMAND 9 | (31) _____ | (1) _____ | COMMAND 9 _____ |

Schedules (Skeds)

Default values are shown in () or in **bold**

Windows

Opening and Closing

| Day of Week | Window (W) | | | | | | | |
|-----------------|------------|--------|--------|--------|--------|--------|--------|--------|
| | W# 1 | W# 2 | W# 3 | W# 4 | W# 5 | W# 6 | W# 7 | W# 8 |
| Sunday | Yes/No | Yes/No | Yes/No | Yes/No | Yes/No | Yes/No | Yes/No | Yes/No |
| Monday | Yes/No | Yes/No | Yes/No | Yes/No | Yes/No | Yes/No | Yes/No | Yes/No |
| Tuesday | Yes/No | Yes/No | Yes/No | Yes/No | Yes/No | Yes/No | Yes/No | Yes/No |
| Wednesday | Yes/No | Yes/No | Yes/No | Yes/No | Yes/No | Yes/No | Yes/No | Yes/No |
| Thursday | Yes/No | Yes/No | Yes/No | Yes/No | Yes/No | Yes/No | Yes/No | Yes/No |
| Friday | Yes/No | Yes/No | Yes/No | Yes/No | Yes/No | Yes/No | Yes/No | Yes/No |
| Saturday | Yes/No | Yes/No | Yes/No | Yes/No | Yes/No | Yes/No | Yes/No | Yes/No |
| Open | | | | | | | | |
| Early Begin | __:__ | __:__ | __:__ | __:__ | __:__ | __:__ | __:__ | __:__ |
| Window Start | __:__ | __:__ | __:__ | __:__ | __:__ | __:__ | __:__ | __:__ |
| Window Stop | __:__ | __:__ | __:__ | __:__ | __:__ | __:__ | __:__ | __:__ |
| Close | | | | | | | | |
| Early Begin | __:__ | __:__ | __:__ | __:__ | __:__ | __:__ | __:__ | __:__ |
| Window Start | __:__ | __:__ | __:__ | __:__ | __:__ | __:__ | __:__ | __:__ |
| Window Stop | __:__ | __:__ | __:__ | __:__ | __:__ | __:__ | __:__ | __:__ |
| Holidays | | | | | | | | |
| Xept Holiday | Yes/No | Yes/No | Yes/No | Yes/No | Yes/No | Yes/No | Yes/No | Yes/No |
| Holiday 1 | Yes/No | Yes/No | Yes/No | Yes/No | Yes/No | Yes/No | Yes/No | Yes/No |
| Holiday 2 | Yes/No | Yes/No | Yes/No | Yes/No | Yes/No | Yes/No | Yes/No | Yes/No |
| Holiday 3 | Yes/No | Yes/No | Yes/No | Yes/No | Yes/No | Yes/No | Yes/No | Yes/No |
| Holiday 4 | Yes/No | Yes/No | Yes/No | Yes/No | Yes/No | Yes/No | Yes/No | Yes/No |
| Areas | | | | | | | | |
| Area 1 | Yes/No | Yes/No | Yes/No | Yes/No | Yes/No | Yes/No | Yes/No | Yes/No |
| Area 2 | Yes/No | Yes/No | Yes/No | Yes/No | Yes/No | Yes/No | Yes/No | Yes/No |
| Area 3 | Yes/No | Yes/No | Yes/No | Yes/No | Yes/No | Yes/No | Yes/No | Yes/No |
| Area 4 | Yes/No | Yes/No | Yes/No | Yes/No | Yes/No | Yes/No | Yes/No | Yes/No |
| Area 5 | Yes/No | Yes/No | Yes/No | Yes/No | Yes/No | Yes/No | Yes/No | Yes/No |
| Area 6 | Yes/No | Yes/No | Yes/No | Yes/No | Yes/No | Yes/No | Yes/No | Yes/No |
| Area 7 | Yes/No | Yes/No | Yes/No | Yes/No | Yes/No | Yes/No | Yes/No | Yes/No |
| Area 8 | Yes/No | Yes/No | Yes/No | Yes/No | Yes/No | Yes/No | Yes/No | Yes/No |

Use this table to determine the appropriate entries for your application.

| Open/Close Window Activation | Day of Week | Xept Holiday | Holiday Index | Area(s) |
|--|---------------------------------|--------------|---------------------------|----------------------------------|
| Day(s) of the week | Program at least one Day as YES | No | None | Program at least one Area as YES |
| Days(s) of the Week, but NOT on Holidays | Program at least one Day as YES | Yes | Select at least one Index | Program at least one Area as YES |
| Day(s) of the Week, PLUS Holidays | Program at least one Day as YES | No | Select at least one Index | Program at least one Area as YES |
| Only on Holidays | All Days must be programmed NO | No | Select at least one Index | Program at least one Area as YES |

Default values are shown in () or in **bold**

Schedules (Skeds)

Windows (continued)

User Group

| | User Window (UW) | | | | | | | |
|--------------------|------------------|--------|--------|--------|--------|--------|--------|--------|
| | UW#1 | UW#2 | UW#3 | UW#4 | UW#5 | UW#6 | UW#7 | UW#8 |
| User Group | (1) | (1) | (1) | (1) | (1) | (1) | (1) | (1) |
| Day of Week | | | | | | | | |
| Sunday | Yes/No | Yes/No | Yes/No | Yes/No | Yes/No | Yes/No | Yes/No | Yes/No |
| Monday | Yes/No | Yes/No | Yes/No | Yes/No | Yes/No | Yes/No | Yes/No | Yes/No |
| Tuesday | Yes/No | Yes/No | Yes/No | Yes/No | Yes/No | Yes/No | Yes/No | Yes/No |
| Wednesday | Yes/No | Yes/No | Yes/No | Yes/No | Yes/No | Yes/No | Yes/No | Yes/No |
| Thursday | Yes/No | Yes/No | Yes/No | Yes/No | Yes/No | Yes/No | Yes/No | Yes/No |
| Friday | Yes/No | Yes/No | Yes/No | Yes/No | Yes/No | Yes/No | Yes/No | Yes/No |
| Saturday | Yes/No | Yes/No | Yes/No | Yes/No | Yes/No | Yes/No | Yes/No | Yes/No |
| Group | | | | | | | | |
| Enable Time | __:__ | __:__ | __:__ | __:__ | __:__ | __:__ | __:__ | __:__ |
| Disable Time | __:__ | __:__ | __:__ | __:__ | __:__ | __:__ | __:__ | __:__ |
| Holidays | | | | | | | | |
| Xept Holiday | Yes/No | Yes/No | Yes/No | Yes/No | Yes/No | Yes/No | Yes/No | Yes/No |
| Holiday 1 | Yes/No | Yes/No | Yes/No | Yes/No | Yes/No | Yes/No | Yes/No | Yes/No |
| Holiday 2 | Yes/No | Yes/No | Yes/No | Yes/No | Yes/No | Yes/No | Yes/No | Yes/No |
| Holiday 3 | Yes/No | Yes/No | Yes/No | Yes/No | Yes/No | Yes/No | Yes/No | Yes/No |
| Holiday 4 | Yes/No | Yes/No | Yes/No | Yes/No | Yes/No | Yes/No | Yes/No | Yes/No |

Schedules (Skeds)

Default values are shown in () or in **bold**

Schedules (Skeds)

Skeds 1 to 10

| | Sked 1 | Sked 2 | Sked 3 | Sked 4 | Sked 5 | Sked 6 | Sked 7 | Sked 8 | Sked 9 | Sked 10 |
|--------------------|----------|----------|----------|----------|----------|----------|----------|----------|----------|----------|
| Time Edit | Yes/No | Yes/No | Yes/No | Yes/No | Yes/No | Yes/No | Yes/No | Yes/No | Yes/No | Yes/No |
| Function Code | (0)___ | (0)___ | (0)___ | (0)___ | (0)___ | (0)___ | (0)___ | (0)___ | (0)___ | (0)___ |
| Parameter 1 | _____ | _____ | _____ | _____ | _____ | _____ | _____ | _____ | _____ | _____ |
| Parameter 2 | _____ | _____ | _____ | _____ | _____ | _____ | _____ | _____ | _____ | _____ |
| Time | __:__:__ | __:__:__ | __:__:__ | __:__:__ | __:__:__ | __:__:__ | __:__:__ | __:__:__ | __:__:__ | __:__:__ |
| Date | __/__/__ | __/__/__ | __/__/__ | __/__/__ | __/__/__ | __/__/__ | __/__/__ | __/__/__ | __/__/__ | __/__/__ |
| Day of Week | | | | | | | | | | |
| Sunday | Yes/No | Yes/No | Yes/No | Yes/No | Yes/No | Yes/No | Yes/No | Yes/No | Yes/No | Yes/No |
| Monday | Yes/No | Yes/No | Yes/No | Yes/No | Yes/No | Yes/No | Yes/No | Yes/No | Yes/No | Yes/No |
| Tuesday | Yes/No | Yes/No | Yes/No | Yes/No | Yes/No | Yes/No | Yes/No | Yes/No | Yes/No | Yes/No |
| Wednesday | Yes/No | Yes/No | Yes/No | Yes/No | Yes/No | Yes/No | Yes/No | Yes/No | Yes/No | Yes/No |
| Thursday | Yes/No | Yes/No | Yes/No | Yes/No | Yes/No | Yes/No | Yes/No | Yes/No | Yes/No | Yes/No |
| Friday | Yes/No | Yes/No | Yes/No | Yes/No | Yes/No | Yes/No | Yes/No | Yes/No | Yes/No | Yes/No |
| Saturday | Yes/No | Yes/No | Yes/No | Yes/No | Yes/No | Yes/No | Yes/No | Yes/No | Yes/No | Yes/No |
| Holidays | | | | | | | | | | |
| Xept Holiday | Yes/No | Yes/No | Yes/No | Yes/No | Yes/No | Yes/No | Yes/No | Yes/No | Yes/No | Yes/No |
| Holiday 1 | Yes/No | Yes/No | Yes/No | Yes/No | Yes/No | Yes/No | Yes/No | Yes/No | Yes/No | Yes/No |
| Holiday 2 | Yes/No | Yes/No | Yes/No | Yes/No | Yes/No | Yes/No | Yes/No | Yes/No | Yes/No | Yes/No |
| Holiday 3 | Yes/No | Yes/No | Yes/No | Yes/No | Yes/No | Yes/No | Yes/No | Yes/No | Yes/No | Yes/No |
| Holiday 4 | Yes/No | Yes/No | Yes/No | Yes/No | Yes/No | Yes/No | Yes/No | Yes/No | Yes/No | Yes/No |

Skeds 11 to 20

| | Sked 11 | Sked 12 | Sked 13 | Sked 14 | Sked 15 | Sked 16 | Sked 17 | Sked 18 | Sked 19 | Sked 20 |
|--------------------|----------|----------|----------|----------|----------|----------|----------|----------|----------|----------|
| Time Edit | Yes/No | Yes/No | Yes/No | Yes/No | Yes/No | Yes/No | Yes/No | Yes/No | Yes/No | Yes/No |
| Function Code | (0)___ | (0)___ | (0)___ | (0)___ | (0)___ | (0)___ | (0)___ | (0)___ | (0)___ | (0)___ |
| Parameter 1 | _____ | _____ | _____ | _____ | _____ | _____ | _____ | _____ | _____ | _____ |
| Parameter 2 | _____ | _____ | _____ | _____ | _____ | _____ | _____ | _____ | _____ | _____ |
| Time | __:__:__ | __:__:__ | __:__:__ | __:__:__ | __:__:__ | __:__:__ | __:__:__ | __:__:__ | __:__:__ | __:__:__ |
| Date | __/__/__ | __/__/__ | __/__/__ | __/__/__ | __/__/__ | __/__/__ | __/__/__ | __/__/__ | __/__/__ | __/__/__ |
| Day of Week | | | | | | | | | | |
| Sunday | Yes/No | Yes/No | Yes/No | Yes/No | Yes/No | Yes/No | Yes/No | Yes/No | Yes/No | Yes/No |
| Monday | Yes/No | Yes/No | Yes/No | Yes/No | Yes/No | Yes/No | Yes/No | Yes/No | Yes/No | Yes/No |
| Tuesday | Yes/No | Yes/No | Yes/No | Yes/No | Yes/No | Yes/No | Yes/No | Yes/No | Yes/No | Yes/No |
| Wednesday | Yes/No | Yes/No | Yes/No | Yes/No | Yes/No | Yes/No | Yes/No | Yes/No | Yes/No | Yes/No |
| Thursday | Yes/No | Yes/No | Yes/No | Yes/No | Yes/No | Yes/No | Yes/No | Yes/No | Yes/No | Yes/No |
| Friday | Yes/No | Yes/No | Yes/No | Yes/No | Yes/No | Yes/No | Yes/No | Yes/No | Yes/No | Yes/No |
| Saturday | Yes/No | Yes/No | Yes/No | Yes/No | Yes/No | Yes/No | Yes/No | Yes/No | Yes/No | Yes/No |
| Holidays | | | | | | | | | | |
| Xept Holiday | Yes/No | Yes/No | Yes/No | Yes/No | Yes/No | Yes/No | Yes/No | Yes/No | Yes/No | Yes/No |
| Holiday 1 | Yes/No | Yes/No | Yes/No | Yes/No | Yes/No | Yes/No | Yes/No | Yes/No | Yes/No | Yes/No |
| Holiday 2 | Yes/No | Yes/No | Yes/No | Yes/No | Yes/No | Yes/No | Yes/No | Yes/No | Yes/No | Yes/No |
| Holiday 3 | Yes/No | Yes/No | Yes/No | Yes/No | Yes/No | Yes/No | Yes/No | Yes/No | Yes/No | Yes/No |
| Holiday 4 | Yes/No | Yes/No | Yes/No | Yes/No | Yes/No | Yes/No | Yes/No | Yes/No | Yes/No | Yes/No |

Default values are shown in () or in **bold**

Schedules (Skeds)

Schedules (Skeds) (continued)

Skeds 21 to 30

| | Sked 21 | Sked 22 | Sked 23 | Sked 24 | Sked 25 | Sked 26 | Sked 27 | Sked 28 | Sked 29 | Sked 30 |
|--------------------|----------|----------|----------|----------|----------|----------|----------|----------|----------|----------|
| Time Edit | Yes/No | Yes/No | Yes/No | Yes/No | Yes/No | Yes/No | Yes/No | Yes/No | Yes/No | Yes/No |
| Function Code | (0)___ | (0)___ | (0)___ | (0)___ | (0)___ | (0)___ | (0)___ | (0)___ | (0)___ | (0)___ |
| Parameter 1 | _____ | _____ | _____ | _____ | _____ | _____ | _____ | _____ | _____ | _____ |
| Parameter 2 | _____ | _____ | _____ | _____ | _____ | _____ | _____ | _____ | _____ | _____ |
| Time | __:__ | __:__ | __:__ | __:__ | __:__ | __:__ | __:__ | __:__ | __:__ | __:__ |
| Date | __/__/__ | __/__/__ | __/__/__ | __/__/__ | __/__/__ | __/__/__ | __/__/__ | __/__/__ | __/__/__ | __/__/__ |
| Day of Week | | | | | | | | | | |
| Sunday | Yes/No | Yes/No | Yes/No | Yes/No | Yes/No | Yes/No | Yes/No | Yes/No | Yes/No | Yes/No |
| Monday | Yes/No | Yes/No | Yes/No | Yes/No | Yes/No | Yes/No | Yes/No | Yes/No | Yes/No | Yes/No |
| Tuesday | Yes/No | Yes/No | Yes/No | Yes/No | Yes/No | Yes/No | Yes/No | Yes/No | Yes/No | Yes/No |
| Wednesday | Yes/No | Yes/No | Yes/No | Yes/No | Yes/No | Yes/No | Yes/No | Yes/No | Yes/No | Yes/No |
| Thursday | Yes/No | Yes/No | Yes/No | Yes/No | Yes/No | Yes/No | Yes/No | Yes/No | Yes/No | Yes/No |
| Friday | Yes/No | Yes/No | Yes/No | Yes/No | Yes/No | Yes/No | Yes/No | Yes/No | Yes/No | Yes/No |
| Saturday | Yes/No | Yes/No | Yes/No | Yes/No | Yes/No | Yes/No | Yes/No | Yes/No | Yes/No | Yes/No |
| Holidays | | | | | | | | | | |
| Xept Holiday | Yes/No | Yes/No | Yes/No | Yes/No | Yes/No | Yes/No | Yes/No | Yes/No | Yes/No | Yes/No |
| Holiday 1 | Yes/No | Yes/No | Yes/No | Yes/No | Yes/No | Yes/No | Yes/No | Yes/No | Yes/No | Yes/No |
| Holiday 2 | Yes/No | Yes/No | Yes/No | Yes/No | Yes/No | Yes/No | Yes/No | Yes/No | Yes/No | Yes/No |
| Holiday 3 | Yes/No | Yes/No | Yes/No | Yes/No | Yes/No | Yes/No | Yes/No | Yes/No | Yes/No | Yes/No |
| Holiday 4 | Yes/No | Yes/No | Yes/No | Yes/No | Yes/No | Yes/No | Yes/No | Yes/No | Yes/No | Yes/No |

Skeds 31 to 40

| | Sked 31 | Sked 32 | Sked 33 | Sked 34 | Sked 35 | Sked 36 | Sked 37 | Sked 38 | Sked 39 | Sked 40 |
|--------------------|----------|----------|----------|----------|----------|----------|----------|----------|----------|----------|
| Time Edit | Yes/No | Yes/No | Yes/No | Yes/No | Yes/No | Yes/No | Yes/No | Yes/No | Yes/No | Yes/No |
| Function Code | (0)___ | (0)___ | (0)___ | (0)___ | (0)___ | (0)___ | (0)___ | (0)___ | (0)___ | (0)___ |
| Parameter 1 | _____ | _____ | _____ | _____ | _____ | _____ | _____ | _____ | _____ | _____ |
| Parameter 2 | _____ | _____ | _____ | _____ | _____ | _____ | _____ | _____ | _____ | _____ |
| Time | __:__ | __:__ | __:__ | __:__ | __:__ | __:__ | __:__ | __:__ | __:__ | __:__ |
| Date | __/__/__ | __/__/__ | __/__/__ | __/__/__ | __/__/__ | __/__/__ | __/__/__ | __/__/__ | __/__/__ | __/__/__ |
| Day of Week | | | | | | | | | | |
| Sunday | Yes/No | Yes/No | Yes/No | Yes/No | Yes/No | Yes/No | Yes/No | Yes/No | Yes/No | Yes/No |
| Monday | Yes/No | Yes/No | Yes/No | Yes/No | Yes/No | Yes/No | Yes/No | Yes/No | Yes/No | Yes/No |
| Tuesday | Yes/No | Yes/No | Yes/No | Yes/No | Yes/No | Yes/No | Yes/No | Yes/No | Yes/No | Yes/No |
| Wednesday | Yes/No | Yes/No | Yes/No | Yes/No | Yes/No | Yes/No | Yes/No | Yes/No | Yes/No | Yes/No |
| Thursday | Yes/No | Yes/No | Yes/No | Yes/No | Yes/No | Yes/No | Yes/No | Yes/No | Yes/No | Yes/No |
| Friday | Yes/No | Yes/No | Yes/No | Yes/No | Yes/No | Yes/No | Yes/No | Yes/No | Yes/No | Yes/No |
| Saturday | Yes/No | Yes/No | Yes/No | Yes/No | Yes/No | Yes/No | Yes/No | Yes/No | Yes/No | Yes/No |
| Holidays | | | | | | | | | | |
| Xept Holiday | Yes/No | Yes/No | Yes/No | Yes/No | Yes/No | Yes/No | Yes/No | Yes/No | Yes/No | Yes/No |
| Holiday 1 | Yes/No | Yes/No | Yes/No | Yes/No | Yes/No | Yes/No | Yes/No | Yes/No | Yes/No | Yes/No |
| Holiday 2 | Yes/No | Yes/No | Yes/No | Yes/No | Yes/No | Yes/No | Yes/No | Yes/No | Yes/No | Yes/No |
| Holiday 3 | Yes/No | Yes/No | Yes/No | Yes/No | Yes/No | Yes/No | Yes/No | Yes/No | Yes/No | Yes/No |
| Holiday 4 | Yes/No | Yes/No | Yes/No | Yes/No | Yes/No | Yes/No | Yes/No | Yes/No | Yes/No | Yes/No |

Schedules (Skeds)

Default values are shown in () or in **bold**

Schedules (Skeds) (continued)

Sked Function Codes

| Function | Function Code | Parameter 1 | | Parameter 2 | |
|------------|---------------|--------------------|-----------------|-------------|-----------|
| | | Description | Selection | Description | Selection |
| Not In Use | 0 | | | | |
| Arm Area | 1 | Area 1 | Yes / No | | |
| | | Area 2 | Yes / No | | |
| | | Area 3 | Yes / No | | |
| | | Area 4 | Yes / No | | |
| | | Area 5 | Yes / No | | |
| | | Area 6 | Yes / No | | |
| | | Area 7 | Yes / No | | |
| | | Area 8 | Yes / No | | |
| | | Area 9 (D9412GV3)* | Yes / No | | |
| | | Area 10 (D9412GV3) | Yes / No | | |
| | | Area 11 (D9412GV3) | Yes / No | | |
| | | Area 12 (D9412GV3) | Yes / No | | |
| | | Area 13 (D9412GV3) | Yes / No | | |
| | | Area 14 (D9412GV3) | Yes / No | | |
| | | Area 15 (D9412GV3) | Yes / No | | |
| | | Area 16 (D9412GV3) | Yes / No | | |
| | | Area 17 (D9412GV3) | Yes / No | | |
| | | Area 18 (D9412GV3) | Yes / No | | |
| | | Area 19 (D9412GV3) | Yes / No | | |
| | | Area 20 (D9412GV3) | Yes / No | | |
| | | Area 21 (D9412GV3) | Yes / No | | |
| | | Area 22 (D9412GV3) | Yes / No | | |
| | | Area 23 (D9412GV3) | Yes / No | | |
| | | Area 24 (D9412GV3) | Yes / No | | |
| | | Area 25 (D9412GV3) | Yes / No | | |
| | | Area 26 (D9412GV3) | Yes / No | | |
| | | Area 27 (D9412GV3) | Yes / No | | |
| | | Area 28 (D9412GV3) | Yes / No | | |
| | | Area 29 (D9412GV3) | Yes / No | | |
| | | Area 30 (D9412GV3) | Yes / No | | |
| | | Area 31 (D9412GV3) | Yes / No | | |
| | | Area 32 (D9412GV3) | Yes / No | | |

* Areas 9 to 32 are for use with the D9412GV3 only

Default values are shown in () or in **bold****Schedules (Skeds)****Schedules (Skeds) (continued)****Sked Function Codes (continued)**

| Function | Function Code | Parameter 1 | | Parameter 2 | |
|-------------------------|---------------|--|---|--------------|---|
| | | Description | Selection | Description | Selection |
| Disarm Area | 2 | Area 1 | Yes / No | | |
| | | Area 2 | Yes / No | | |
| | | Area 3 | Yes / No | | |
| | | Area 4 | Yes / No | | |
| | | Area 5 | Yes / No | | |
| | | Area 6 | Yes / No | | |
| | | Area 7 | Yes / No | | |
| | | Area 8 | Yes / No | | |
| | | Area 9 (D9412GV3)* | Yes / No | | |
| | | Area 10 (D9412GV3) | Yes / No | | |
| | | Area 11 (D9412GV3) | Yes / No | | |
| | | Area 12 (D9412GV3) | Yes / No | | |
| | | Area 13 (D9412GV3) | Yes / No | | |
| | | Area 14 (D9412GV3) | Yes / No | | |
| | | Area 15 (D9412GV3) | Yes / No | | |
| | | Area 16 (D9412GV3) | Yes / No | | |
| | | Area 17 (D9412GV3) | Yes / No | | |
| | | Area 18 (D9412GV3) | Yes / No | | |
| | | Area 19 (D9412GV3) | Yes / No | | |
| | | Area 20 (D9412GV3) | Yes / No | | |
| | | Area 21 (D9412GV3) | Yes / No | | |
| | | Area 22 (D9412GV3) | Yes / No | | |
| | | Area 23 (D9412GV3) | Yes / No | | |
| | | Area 24 (D9412GV3) | Yes / No | | |
| | | Area 25 (D9412GV3) | Yes / No | | |
| | | Area 26 (D9412GV3) | Yes / No | | |
| | | Area 27 (D9412GV3) | Yes / No | | |
| | | Area 28 (D9412GV3) | Yes / No | | |
| | | Area 29 (D9412GV3) | Yes / No | | |
| | | Area 30 (D9412GV3) | Yes / No | | |
| | | Area 31 (D9412GV3) | Yes / No | | |
| | | Area 32 (D9412GV3) | Yes / No | | |
| | | Bypass a Point A point can be bypassed only if you program it to allow bypassing in Point Parameters. The bypassed point is reported if Bypass Reports is programmed Yes for the point. | 3 | Point Number | 0, 1 – 75, 76 – 127*, 129 – 247* |
| Unbypass a Point | 4 | Point Number | 0, 1 – 75, 76 – 127*, 129 – 247* | | |

* Areas 9 to 32 are for use with the D9412GV3 only

Schedules (Skeds)

Default values are shown in () or in **bold**

| Function | Function Code | Parameter 1 | | Parameter 2 | |
|---------------------|---------------|--------------------|-----------------------------|--------------|-----------------------------|
| | | Description | Selection | Description | Selection |
| Unbypass All Points | 5 | Area 1 | Yes / No | | |
| | | Area 2 | Yes / No | | |
| | | Area 3 | Yes / No | | |
| | | Area 4 | Yes / No | | |
| | | Area 5 | Yes / No | | |
| | | Area 6 | Yes / No | | |
| | | Area 7 | Yes / No | | |
| | | Area 8 | Yes / No | | |
| | | Area 9 (D9412GV3) | Yes / No | | |
| | | Area 10 (D9412GV3) | Yes / No | | |
| | | Area 11 (D9412GV3) | Yes / No | | |
| | | Area 12 (D9412GV3) | Yes / No | | |
| | | Area 13 (D9412GV3) | Yes / No | | |
| | | Area 14 (D9412GV3) | Yes / No | | |
| | | Area 15 (D9412GV3) | Yes / No | | |
| | | Area 16 (D9412GV3) | Yes / No | | |
| | | Area 17 (D9412GV3) | Yes / No | | |
| | | Area 18 (D9412GV3) | Yes / No | | |
| | | Area 19 (D9412GV3) | Yes / No | | |
| | | Area 20 (D9412GV3) | Yes / No | | |
| | | Area 21 (D9412GV3) | Yes / No | | |
| | | Area 22 (D9412GV3) | Yes / No | | |
| | | Area 23 (D9412GV3) | Yes / No | | |
| | | Area 24 (D9412GV3) | Yes / No | | |
| | | Area 25 (D9412GV3) | Yes / No | | |
| | | Area 26 (D9412GV3) | Yes / No | | |
| | | Area 27 (D9412GV3) | Yes / No | | |
| | | Area 28 (D9412GV3) | Yes / No | | |
| | | Area 29 (D9412GV3) | Yes / No | | |
| | | Area 30 (D9412GV3) | Yes / No | | |
| | | Area 31 (D9412GV3) | Yes / No | | |
| | | Area 32 (D9412GV3) | Yes / No | | |
| | | Relay On | 6 | Relay Number | 0, 1 - 64, 65 - 128** |
| Relay Off. | 7 | Relay Number | 0, 1 - 64, 65 - 128** | | |
| All Relays Off | 8 | None | | | |

* Points 76 to 127 and 129 to 247 are available with the D9412GV3 only.

** Relays 65 to 128 are available with the D9412GV3 only.

Default values are shown in () or in **bold****Schedules (Skeds)****Schedules (Skeds) (continued)****Sked Function Codes (continued)**

| Function | Function Code | Parameter 1 | | Parameter 2 | |
|--|---------------|---|--|--------------------|--|
| | | Description | Selection | Description | Selection |
| Test Report Generates a test report. The report is sent to the Phone(s) programmed in the Phone Routing Chart. | 9 | Defer Test | Yes / No | Hourly Test Report | Yes / No |
| Status Report | 10 | Defer Status | Yes / No | | |
| Execute Custom Function . | 11 | Cmd Center | 0 = default 1 - 16 | Custom Function | 0 = default* 128 - 131, 132 - 143 [†] |
| Contact RPS | 12 | None | | | |
| Adjust Time Forward 1 Hour (Daylight Saving Time adjustment) | 13 | None | | | |
| Adjust Time Backward 1 Hour (Daylight Saving Time adjustment) | 14 | None | | | |
| Sound Watch at Keypad | 15 | CC 1 CC 2 CC 3 CC 4 CC 5 CC 6 CC 7 CC 8 CC 9 CC 10 CC 11 CC 12 CC 13 CC 14 CC 15 CC 16 | Yes / No Yes / No Yes / No Yes / No Yes / No Yes / No Yes / No Yes / No Yes / No Yes / No Yes / No Yes / No Yes / No Yes / No Yes / No Yes / No | | |
| Access Control Level On | 16 | Level 1 Level 2 Level 3 Level 4 Level 5 Level 6 Level 7 Level 8 Level 9 Level 10 Level 11 Level 12 Level 13 Level 14 | Yes / No Yes / No Yes / No Yes / No Yes / No Yes / No Yes / No Yes / No Yes / No Yes / No Yes / No Yes / No Yes / No Yes / No Yes / No | | |

* Not a valid entry if Parameter 1 is a non-zero value.

† Custom Functions 132 to 143 are available with the D9412GV3 only

Schedules (Skeds)

Default values are shown in () or in **bold**

Schedules (Skeds) (continued)

Sked Function Codes (continued)

| Function | Function Code | Parameter 1 | | Parameter 2 | |
|--|---------------|-------------|-----------------|-------------|-----------|
| | | Description | Selection | Description | Selection |
| Access Control Level Off | 17 | Level 1 | Yes / No | | |
| | | Level 2 | Yes / No | | |
| | | Level 3 | Yes / No | | |
| | | Level 4 | Yes / No | | |
| | | Level 5 | Yes / No | | |
| | | Level 6 | Yes / No | | |
| | | Level 7 | Yes / No | | |
| | | Level 8 | Yes / No | | |
| | | Level 9 | Yes / No | | |
| | | Level 10 | Yes / No | | |
| | | Level 11 | Yes / No | | |
| | | Level 12 | Yes / No | | |
| | | Level 13 | Yes / No | | |
| | | Level 14 | Yes / No | | |
| Unlock Door <i>Maximum is two Access Doors for the D7412GV3.</i> | 18 | Door 1 | Yes / No | | |
| | | Door 2 | Yes / No | | |
| | | Door 3 | Yes / No | | |
| | | Door 4 | Yes / No | | |
| | | Door 5 | Yes / No | | |
| | | Door 6 | Yes / No | | |
| | | Door 7 | Yes / No | | |
| | | Door 8 | Yes / No | | |
| Secure Door <i>Maximum is two Access Doors for the D7412GV3.</i> | 19 | Door 1 | Yes / No | | |
| | | Door 2 | Yes / No | | |
| | | Door 3 | Yes / No | | |
| | | Door 4 | Yes / No | | |
| | | Door 5 | Yes / No | | |
| | | Door 6 | Yes / No | | |
| | | Door 7 | Yes / No | | |
| | | Door 8 | Yes / No | | |
| Lock Door <i>Maximum is two Access Doors for the D7412GV3.</i> | 20 | Door 1 | Yes / No | | |
| | | Door 2 | Yes / No | | |
| | | Door 3 | Yes / No | | |
| | | Door 4 | Yes / No | | |
| | | Door 5 | Yes / No | | |
| | | Door 6 | Yes / No | | |
| | | Door 7 | Yes / No | | |
| | | Door 8 | Yes / No | | |

Default values are shown in () or in **bold****Schedules (Skeds)****Schedules (Skeds) (continued)****Sked Function Codes (continued)**

| Function | Function Code | Parameter 1 | | Parameter 2 | |
|--|---------------|-------------|-----------------|-------------|-----------|
| | | Description | Selection | Description | Selection |
| Access Granted Events On <i>Maximum is two Access Doors for the D7412GV3.</i> | 21 | Door 1 | Yes / No | | |
| | | Door 2 | Yes / No | | |
| | | Door 3 | Yes / No | | |
| | | Door 4 | Yes / No | | |
| | | Door 5 | Yes / No | | |
| | | Door 6 | Yes / No | | |
| | | Door 7 | Yes / No | | |
| | | Door 8 | Yes / No | | |
| Access Granted Events Off <i>Maximum is two Access Doors for the D7412GV3.</i> | 22 | Door 1 | Yes / No | | |
| | | Door 2 | Yes / No | | |
| | | Door 3 | Yes / No | | |
| | | Door 4 | Yes / No | | |
| | | Door 5 | Yes / No | | |
| | | Door 6 | Yes / No | | |
| | | Door 7 | Yes / No | | |
| | | Door 8 | Yes / No | | |
| Access Denied Events On <i>Maximum is two Access Doors for the D7412GV3.</i> | 23 | Door 1 | Yes / No | | |
| | | Door 2 | Yes / No | | |
| | | Door 3 | Yes / No | | |
| | | Door 4 | Yes / No | | |
| | | Door 5 | Yes / No | | |
| | | Door 6 | Yes / No | | |
| | | Door 7 | Yes / No | | |
| | | Door 8 | Yes / No | | |
| Access Denied Events Off <i>Maximum is two Access Doors for the D7412GV3.</i> | 24 | Door 1 | Yes / No | | |
| | | Door 2 | Yes / No | | |
| | | Door 3 | Yes / No | | |
| | | Door 4 | Yes / No | | |
| | | Door 5 | Yes / No | | |
| | | Door 6 | Yes / No | | |
| | | Door 7 | Yes / No | | |
| | | Door 8 | Yes / No | | |
| Expanded Off-Normal Test Report | 28 | None | | | |
| Non-Expanded Off-Normal Test Report | 29 | None | | | |

Schedules (Skeds)

Default values are shown in () or in bold

Schedules (Skeds) (continued)

Holiday Indexes

| Holiday Index # | | | | | Holiday Index # | | | | | Holiday Index # | | | | |
|-----------------|---|---|---|---|-----------------|---|---|---|---|-----------------|---|---|---|---|
| Date | 1 | 2 | 3 | 4 | Date | 1 | 2 | 3 | 4 | Date | 1 | 2 | 3 | 4 |
| Jan 1 | | | | | Feb 1 | | | | | Mar 1 | | | | |
| 2 | | | | | 2 | | | | | 2 | | | | |
| 3 | | | | | 3 | | | | | 3 | | | | |
| 4 | | | | | 4 | | | | | 4 | | | | |
| 5 | | | | | 5 | | | | | 5 | | | | |
| 6 | | | | | 6 | | | | | 6 | | | | |
| 7 | | | | | 7 | | | | | 7 | | | | |
| 8 | | | | | 8 | | | | | 8 | | | | |
| 9 | | | | | 9 | | | | | 9 | | | | |
| 10 | | | | | 10 | | | | | 10 | | | | |
| 11 | | | | | 11 | | | | | 11 | | | | |
| 12 | | | | | 12 | | | | | 12 | | | | |
| 13 | | | | | 13 | | | | | 13 | | | | |
| 14 | | | | | 14 | | | | | 14 | | | | |
| 15 | | | | | 15 | | | | | 15 | | | | |
| 16 | | | | | 16 | | | | | 16 | | | | |
| 17 | | | | | 17 | | | | | 17 | | | | |
| 18 | | | | | 18 | | | | | 18 | | | | |
| 19 | | | | | 19 | | | | | 19 | | | | |
| 20 | | | | | 20 | | | | | 20 | | | | |
| 21 | | | | | 21 | | | | | 21 | | | | |
| 22 | | | | | 22 | | | | | 22 | | | | |
| 23 | | | | | 23 | | | | | 23 | | | | |
| 24 | | | | | 24 | | | | | 24 | | | | |
| 25 | | | | | 25 | | | | | 25 | | | | |
| 26 | | | | | 26 | | | | | 26 | | | | |
| 27 | | | | | 27 | | | | | 27 | | | | |
| 28 | | | | | 28 | | | | | 28 | | | | |
| 29 | | | | | 29 | | | | | 29 | | | | |
| 30 | | | | | | | | | | 30 | | | | |
| 31 | | | | | | | | | | 31 | | | | |

| Holiday Index # | | | | | Holiday Index # | | | | | Holiday Index # | | | | |
|-----------------|---|---|---|---|-----------------|---|---|---|---|-----------------|---|---|---|---|
| Date | 1 | 2 | 3 | 4 | Date | 1 | 2 | 3 | 4 | Date | 1 | 2 | 3 | 4 |
| Apr 1 | | | | | May 1 | | | | | Jun 1 | | | | |
| 2 | | | | | 2 | | | | | 2 | | | | |
| 3 | | | | | 3 | | | | | 3 | | | | |
| 4 | | | | | 4 | | | | | 4 | | | | |
| 5 | | | | | 5 | | | | | 5 | | | | |
| 6 | | | | | 6 | | | | | 6 | | | | |
| 7 | | | | | 7 | | | | | 7 | | | | |
| 8 | | | | | 8 | | | | | 8 | | | | |
| 9 | | | | | 9 | | | | | 9 | | | | |
| 10 | | | | | 10 | | | | | 10 | | | | |
| 11 | | | | | 11 | | | | | 11 | | | | |
| 12 | | | | | 12 | | | | | 12 | | | | |
| 13 | | | | | 13 | | | | | 13 | | | | |
| 14 | | | | | 14 | | | | | 14 | | | | |
| 15 | | | | | 15 | | | | | 15 | | | | |
| 16 | | | | | 16 | | | | | 16 | | | | |
| 17 | | | | | 17 | | | | | 17 | | | | |
| 18 | | | | | 18 | | | | | 18 | | | | |
| 19 | | | | | 19 | | | | | 19 | | | | |
| 20 | | | | | 20 | | | | | 20 | | | | |
| 21 | | | | | 21 | | | | | 21 | | | | |
| 22 | | | | | 22 | | | | | 22 | | | | |
| 23 | | | | | 23 | | | | | 23 | | | | |
| 24 | | | | | 24 | | | | | 24 | | | | |
| 25 | | | | | 25 | | | | | 25 | | | | |
| 26 | | | | | 26 | | | | | 26 | | | | |
| 27 | | | | | 27 | | | | | 27 | | | | |
| 28 | | | | | 28 | | | | | 28 | | | | |
| 29 | | | | | 29 | | | | | 29 | | | | |
| 30 | | | | | 30 | | | | | 30 | | | | |
| | | | | | 31 | | | | | | | | | |

Default values are shown in () or in **bold**

Schedules (Skeds)

Schedules (Skeds) (continued)

Holiday Indexes (continued)

| Holiday Index # | | | | | Holiday Index # | | | | | Holiday Index # | | | | |
|-----------------|---|---|---|---|-----------------|---|---|---|---|-----------------|---|---|---|---|
| Date | 1 | 2 | 3 | 4 | Date | 1 | 2 | 3 | 4 | Date | 1 | 2 | 3 | 4 |
| Jul 1 | | | | | Aug 1 | | | | | Sep 1 | | | | |
| 2 | | | | | 2 | | | | | 2 | | | | |
| 3 | | | | | 3 | | | | | 3 | | | | |
| 4 | | | | | 4 | | | | | 4 | | | | |
| 5 | | | | | 5 | | | | | 5 | | | | |
| 6 | | | | | 6 | | | | | 6 | | | | |
| 7 | | | | | 7 | | | | | 7 | | | | |
| 8 | | | | | 8 | | | | | 8 | | | | |
| 9 | | | | | 9 | | | | | 9 | | | | |
| 10 | | | | | 10 | | | | | 10 | | | | |
| 11 | | | | | 11 | | | | | 11 | | | | |
| 12 | | | | | 12 | | | | | 12 | | | | |
| 13 | | | | | 13 | | | | | 13 | | | | |
| 14 | | | | | 14 | | | | | 14 | | | | |
| 15 | | | | | 15 | | | | | 15 | | | | |
| 16 | | | | | 16 | | | | | 16 | | | | |
| 17 | | | | | 17 | | | | | 17 | | | | |
| 18 | | | | | 18 | | | | | 18 | | | | |
| 19 | | | | | 19 | | | | | 19 | | | | |
| 20 | | | | | 20 | | | | | 20 | | | | |
| 21 | | | | | 21 | | | | | 21 | | | | |
| 22 | | | | | 22 | | | | | 22 | | | | |
| 23 | | | | | 23 | | | | | 23 | | | | |
| 24 | | | | | 24 | | | | | 24 | | | | |
| 25 | | | | | 25 | | | | | 25 | | | | |
| 26 | | | | | 26 | | | | | 26 | | | | |
| 27 | | | | | 27 | | | | | 27 | | | | |
| 28 | | | | | 28 | | | | | 28 | | | | |
| 29 | | | | | 29 | | | | | 29 | | | | |
| 30 | | | | | 30 | | | | | 30 | | | | |
| 31 | | | | | 31 | | | | | | | | | |

| Holiday Index # | | | | | Holiday Index # | | | | | Holiday Index # | | | | |
|-----------------|---|---|---|---|-----------------|---|---|---|---|-----------------|---|---|---|---|
| Date | 1 | 2 | 3 | 4 | Date | 1 | 2 | 3 | 4 | Date | 1 | 2 | 3 | 4 |
| Oct 1 | | | | | Nov 1 | | | | | Dec 1 | | | | |
| 2 | | | | | 2 | | | | | 2 | | | | |
| 3 | | | | | 3 | | | | | 3 | | | | |
| 4 | | | | | 4 | | | | | 4 | | | | |
| 5 | | | | | 5 | | | | | 5 | | | | |
| 6 | | | | | 6 | | | | | 6 | | | | |
| 7 | | | | | 7 | | | | | 7 | | | | |
| 8 | | | | | 8 | | | | | 8 | | | | |
| 9 | | | | | 9 | | | | | 9 | | | | |
| 10 | | | | | 10 | | | | | 10 | | | | |
| 11 | | | | | 11 | | | | | 11 | | | | |
| 12 | | | | | 12 | | | | | 12 | | | | |
| 13 | | | | | 13 | | | | | 13 | | | | |
| 14 | | | | | 14 | | | | | 14 | | | | |
| 15 | | | | | 15 | | | | | 15 | | | | |
| 16 | | | | | 16 | | | | | 16 | | | | |
| 17 | | | | | 17 | | | | | 17 | | | | |
| 18 | | | | | 18 | | | | | 18 | | | | |
| 19 | | | | | 19 | | | | | 19 | | | | |
| 20 | | | | | 20 | | | | | 20 | | | | |
| 21 | | | | | 21 | | | | | 21 | | | | |
| 22 | | | | | 22 | | | | | 22 | | | | |
| 23 | | | | | 23 | | | | | 23 | | | | |
| 24 | | | | | 24 | | | | | 24 | | | | |
| 25 | | | | | 25 | | | | | 25 | | | | |
| 26 | | | | | 26 | | | | | 26 | | | | |
| 27 | | | | | 27 | | | | | 27 | | | | |
| 28 | | | | | 28 | | | | | 28 | | | | |
| 29 | | | | | 29 | | | | | 29 | | | | |
| 30 | | | | | 30 | | | | | 30 | | | | |
| 31 | | | | | | | | | | 31 | | | | |

AUXPARAMDefault values are shown in () or in **bold****SDI Automation**Enable SDI Auto Yes / **No** Supervise SDI 80 Yes / **No** Status Rate 0 _____**SDI RPS Parameters**Answer RPS Over **Yes** / No RPS IP Address (0.0.0.0) _____ RPS Address Yes /
Network RPS Port Number (7700) _____ Verification **No****Enhanced Communication**Enable Enhanced Comm Yes / **No**

Path 1 IP Add (0.0.0.0) _____ Path 2 IP Add (0.0.0.0) _____

Path 3 IP Add (0.0.0.0) _____ Path 4 IP Add (0.0.0.0) _____

Path 1 Port No. (7750) ___ Path 2 Port No. (7750) ___ Path 3 Port No. (7750) ___ Path 4 Port No. (7750) ___

Path 1 Poll Rate (0) ___ Path 2 Poll Rate (0) ___ Path 3 Poll Rate (0) ___ Path 4 Poll Rate (0) ___

Path 1 Ack Wait (13) ___ Path 2 Ack Wait (13) ___ Path 3 Ack Wait (13) ___ Path 4 Ack Wait (13) ___

Path 1 Retry Count (5) ___ Path 2 Retry Count (5) ___ Path 3 Retry Count (5) ___ Path 4 Retry Count (5) ___

Route Group ParametersRG1 Same Network Receiver Yes / **No**RG2 Same Network Receiver Yes / **No**RG3 Same Network Receiver Yes / **No**RG4 Same Network Receiver Yes / **No****SDI RPS / Enhanced Communication Configuration**Supervise SDI 88 Yes / **No**Supervise SDI 92 Yes / **No****Miscellaneous**Fire Supervision Event Type Fire Trouble Resound (0) _____ Passcode Length
(0) _____ (Disabled) _____Early Ambush Time (10) _____ Second Ambush Code **Unique** / Any Swinger Count (1) _____Abort Window (30) _____ Fire Summary Sustain Yes / **No** Remote Warning **Yes** / NoEarly Armed Relay Yes / Crystal Time Adjust Yes / **No** Perimeter Relay Yes / **No**Daylight Saving Time **Disabled** / US Calendar**Cross Point Parameters**

Cross Point Time (20) _____

Default values are shown in () or in **bold****AUXPARAM****Door Profile**

| | Door 1 | Door 2 | Door 3 [†] | Door 4 [†] | Door 5 [†] | Door 6 [†] | Door 7 [†] | Door 8 [†] |
|----------------------|-----------------|-----------------|---------------------|---------------------|---------------------|---------------------|---------------------|---------------------|
| Entry Area # (0) | _____ | _____ | _____ | _____ | _____ | _____ | _____ | _____ |
| CC# Scope (1) | _____ | _____ | _____ | _____ | _____ | _____ | _____ | _____ |
| Custom Function (0) | _____ | _____ | _____ | _____ | _____ | _____ | _____ | _____ |
| Door Point (0)* | _____ | _____ | _____ | _____ | _____ | _____ | _____ | _____ |
| Interlock Point (0)* | _____ | _____ | _____ | _____ | _____ | _____ | _____ | _____ |
| Auto Door? | Yes / No | Yes / No | Yes / No | Yes / No | Yes / No | Yes / No | Yes / No | Yes / No |
| Fire Unlock? | Yes / No | Yes / No | Yes / No | Yes / No | Yes / No | Yes / No | Yes / No | Yes / No |
| Disarm On Open? | Yes / No | Yes / No | Yes / No | Yes / No | Yes / No | Yes / No | Yes / No | Yes / No |
| Card Type** | 0 | 0 | 0 | 0 | 0 | 0 | 0 | 0 |

* Points 128 and 248 are reserved for an internal panel function and not valid selections. When using the D7412GV3, the valid point range is 1 to 75.

** Although Card Type is visible, this prompt must remain at 0 for 26 bit Wiegand format.

[†] Doors 3 through 8 available with the D9412GV3 only.

Strike Profile

| | Door 1 | Door 2 | Door 3 [†] | Door 4 [†] | Door 5 [†] | Door 6 [†] | Door 7 [†] | Door 8 [†] |
|---------------------|-----------------|-----------------|---------------------|---------------------|---------------------|---------------------|---------------------|---------------------|
| Strike Time (10) | _____ | _____ | _____ | _____ | _____ | _____ | _____ | _____ |
| Shunt Time (10) | _____ | _____ | _____ | _____ | _____ | _____ | _____ | _____ |
| Buzz Time (2) | _____ | _____ | _____ | _____ | _____ | _____ | _____ | _____ |
| Extend Time (10) | _____ | _____ | _____ | _____ | _____ | _____ | _____ | _____ |
| Deactivate On Open? | Yes / No | Yes / No | Yes / No | Yes / No | Yes / No | Yes / No | Yes / No | Yes / No |
| RTE Shunt Only? | Yes / No | Yes / No | Yes / No | Yes / No | Yes / No | Yes / No | Yes / No | Yes / No |
| REX Shunt Only? | Yes / No | Yes / No | Yes / No | Yes / No | Yes / No | Yes / No | Yes / No | Yes / No |

[†] Doors 3 through 8 available with the D9412GV3 only.

Event Profile

| | Door 1 | Door 2 | Door 3 [†] | Door 4 [†] | Door 5 [†] | Door 6 [†] | Door 7 [†] | Door 8 [†] |
|-----------------|-----------------|-----------------|---------------------|---------------------|---------------------|---------------------|---------------------|---------------------|
| Access Granted? | Yes / No | Yes / No | Yes / No | Yes / No | Yes / No | Yes / No | Yes / No | Yes / No |
| No Entry? | Yes / No | Yes / No | Yes / No | Yes / No | Yes / No | Yes / No | Yes / No | Yes / No |
| Enter Request? | Yes / No | Yes / No | Yes / No | Yes / No | Yes / No | Yes / No | Yes / No | Yes / No |
| Exit Request? | Yes / No | Yes / No | Yes / No | Yes / No | Yes / No | Yes / No | Yes / No | Yes / No |

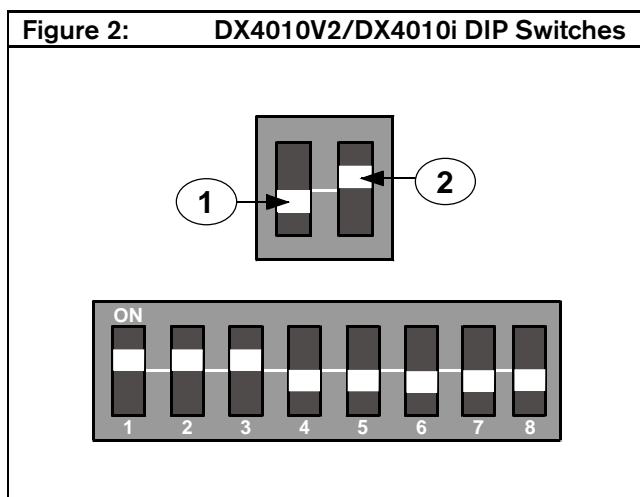
[†] Doors 3 through 8 available with the D9412GV3 only.

AUXPARAM

Default values are shown in () or in **bold**

Door Information

| | |
|--------|--------|
| Door 1 | Door 5 |
| Door 2 | Door 6 |
| Door 3 | Door 7 |
| Door 4 | Door 8 |



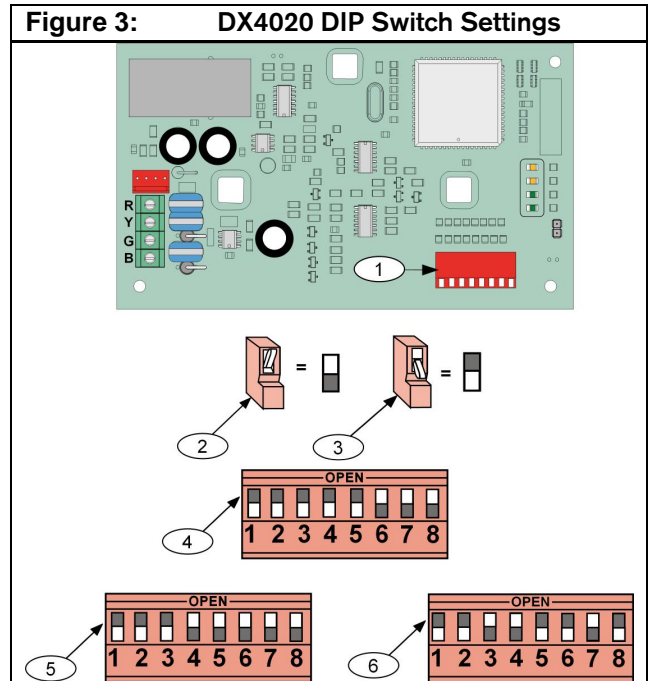
1 - OFF position

2 - ON position

Setting shown is for Address 88. For Address 80, move Switch 4 up to the ON position.



The DX4010V2 has not been investigated by UL.



1 - DIP Switches

2 - ON position

4 - SDI Address 80 switch settings

5 - SDI Address 88 switch settings

6 - SDI Address 92 switch settings

Default values are shown in () or in **bold****AUXPARAM**

DX4010V2/DX4010i Serial Interface Module Programming Tool

| | Address | 1 | 2 | 3 | 4 | 5 | 6 | 7 | 8 |
|--|---------|----|----|----|-----|-----|-----|-----|-----|
| The switches must be set to Address 80 for home or building automation purposes. | 80 | ON | ON | ON | ON | N/A | N/A | OFF | N/A |
| The switches must be set to Address 88 for use with RPS or alternate communications in a LAN or WAN application. | 88 | ON | ON | ON | OFF | N/A | N/A | OFF | N/A |

Note: UL requires that the DX4010i be used for programming only.

DX4020 Network Interface Module

| | Address | 1 | 2 | 3 | 4 | 5 | 6 | 7 | 8 |
|--|---------|--------|--------|--------|--------|-----|-----|------|-----|
| The switches must be set to Address 80 for home or building automation purposes. | 80 | Closed | Closed | Closed | Closed | N/A | N/A | Open | N/A |
| The switches must be set to Address 88 or 92 for use with RPS or alternate communications in a LAN or WAN application. | 88 | Closed | Closed | Closed | Open | N/A | N/A | Open | N/A |
| | 92 | Closed | Closed | Open | Open | N/A | N/A | Open | N/A |



Use Address 88 for enhanced direct connect RPS programming with the DX4010i or DX4010iV2 Serial Interface Module. Address 88 or 92 can be used with the DX4020 or the ITS-DX4020-G for network RPS programming as well as communication to a compatible central station receiver.

Switch Settings

D9210B Switch Settings

| Door Controller | Address Switches* | | | | | |
|-----------------|-------------------|-----|-----|----|----|----|
| | 1 | 2 | 3 | 4 | 5 | 6 |
| 1 | On | On | On | On | On | On |
| 2 | Off | On | On | On | On | On |
| 3 [†] | On | Off | On | On | On | On |
| 4 [†] | Off | Off | On | On | On | On |
| 5 [†] | On | On | Off | On | On | On |
| 6 [†] | Off | On | Off | On | On | On |
| 7 [†] | On | Off | Off | On | On | On |
| 8 [†] | Off | Off | Off | On | On | On |

Note: On = SDI Fail Open (default), Off = SDI Fail Door Close

* Switches 1-3: Address Setting, Switch 4: Fail Safe Mode, Switches 5 & 6 must stay in the "On" position.

[†] Available with the D9412GV3 only.

Printer Address Settings

| Printer | Address Switches | | | | | |
|-----------------|------------------|-----|----|----|----|----|
| | 1 | 2 | 3 | 4* | 5 | 6 |
| 17 | On | On | On | On | On | On |
| 18 [†] | Off | On | On | On | On | On |
| 19 [†] | On | Off | On | On | On | On |

* Switch 4: On = Header and Form Feed (default), Off = No Header or Form Feed

[†] Available with the D9412GV3 only.

D8128C OctoPOPIT Switch Settings

| ZONEX 1** Points 9 to 120 | Address Switches | | | | | ZONEX 2** Points 129 to 240 |
|------------------------------|--------------------------|-----|-----|-----|---|--------------------------------|
| | 0 | 1 | 2 | 3 | 4 | |
| 9-16 | On | On | On | On | * | 129-136 [†] |
| 17-24 | On | On | On | Off | * | 137-144 [†] |
| 25-32 | On | On | Off | On | * | 145-152 [†] |
| 33-40 | On | On | Off | Off | * | 153-160 [†] |
| 41-48 | On | Off | On | On | * | 161-168 [†] |
| 49-56 | On | Off | On | Off | * | 169-176 [†] |
| 57-64 | On | Off | Off | On | * | 177-184 [†] |
| 65-72 | On | Off | Off | Off | * | 185-192 [†] |
| 73-80 [†] | Off | On | On | On | * | 193-200 [†] |
| 81-88 [†] | Off | On | On | Off | * | 201-208 [†] |
| 89-96 [†] | Off | On | Off | On | * | 209-216 [†] |
| 97-104 [†] | Off | On | Off | Off | * | 217-224 [†] |
| 105-112 [†] | Off | Off | On | On | * | 225-232 [†] |
| 113-120 [†] | Off | Off | On | Off | * | 233-240 [†] |
| 121-127*** | Do Not Use D8128C | | | | | 241-247*** |

* Line Termination Switch

** D9412GV3 uses Points 9-120 on ZONEX 1 and Points 129-240 on ZONEX 2.

*** When using D8128C OctoPOPITs, use a D8125 POPEX module and D9127 POPIT modules for configuring Points 121-127 and Points 241-247.

[†] Available with the D9412GV3 only.

Keypad Assignments

| Address # | Address Switches | | | | | |
|------------|------------------|-----|-----|-----|----|----|
| | 1 | 2 | 3 | 4 | 5* | 6 |
| Address 1 | On | On | On | On | On | On |
| Address 2 | Off | On | On | On | On | On |
| Address 3 | On | Off | On | On | On | On |
| Address 4 | Off | Off | On | On | On | On |
| Address 5 | On | On | Off | On | On | On |
| Address 6 | Off | On | Off | On | On | On |
| Address 7 | On | Off | Off | On | On | On |
| Address 8 | Off | Off | Off | On | On | On |
| Address 9 | On | On | On | Off | On | On |
| Address 10 | Off | On | On | Off | On | On |
| Address 11 | On | Off | On | Off | On | On |
| Address 12 | Off | Off | On | Off | On | On |
| Address 13 | On | On | Off | Off | On | On |
| Address 14 | Off | On | Off | Off | On | On |
| Address 15 | On | Off | Off | Off | On | On |
| Address 16 | Off | Off | Off | Off | On | On |

* Switch 5: On = Encoding Tone On (default), Off = Encoding Tone Off

OctoRelay Switch Settings

| ZONEX 1 Terminal 28 Relays 1 to 64 | Address Switches | | | | ZONEX 2 Terminal 26 Relays 65 to 128 |
|--|------------------|-----|-----|-----|--|
| | 1 | 2 | 3 | 4 | |
| 1 – 8 | Off | On | On | On | 65 – 72 [†] |
| 9 – 16 | On | Off | On | On | 73 – 80 [†] |
| 17 – 24 | Off | Off | On | On | 81 – 88 [†] |
| 25 – 32 | On | On | Off | On | 89 – 96 [†] |
| 33 – 40 | Off | On | Off | On | 97 – 104 [†] |
| 41 – 48 | On | Off | Off | On | 105 – 112 [†] |
| 49 – 56 | Off | Off | Off | On | 113 – 120 [†] |
| 57 – 64 | On | On | On | Off | 121 – 128 [†] |

[†] Available with the D9412GV3 only.

Switch Settings

D8128D OctoPOPIT Switch Settings

† Available with the D9412GV3 only

| ZONEX 1 Points 9 to 127 | Address Switches | | | | | ZONEX 2 Points 129 to 247 |
|----------------------------|------------------|-----|-----|-----|---|------------------------------|
| | 1 | 2 | 3 | 4 | 5 | |
| 9-16 | On | On | On | On | * | 129-136 [†] |
| 17-24 | On | On | On | Off | * | 137-144 [†] |
| 25-32 | On | On | Off | On | * | 145-152 [†] |
| 33-40 | On | On | Off | Off | * | 153-160 [†] |
| 41-48 | On | Off | On | On | * | 161-168 [†] |
| 49-56 | On | Off | On | Off | * | 169-176 [†] |
| 57-64 | On | Off | Off | On | * | 177-184 [†] |
| 65-72 | On | Off | Off | Off | * | 185-192 [†] |
| 73-80 [†] | Off | On | On | On | * | 193-200 [†] |
| 81-88 [†] | Off | On | On | Off | * | 201-208 [†] |
| 89-96 [†] | Off | On | Off | On | * | 209-216 [†] |
| 97-104 [†] | Off | On | Off | Off | * | 217-224 [†] |
| 105-112 [†] | Off | Off | On | On | * | 225-232 [†] |
| 113-120 [†] | Off | Off | On | Off | * | 233-240 [†] |
| 121-127 ^{**†} | Off | Off | Off | On | * | 241-247 ^{**†} |

* Line Termination Switch

** For the OctoPOPITs assigned to Points 121-127 and Points 241-247, be sure to set Point Input Switch 8 to the OPEN position.



Bosch Security Systems, Inc.
130 Perinton Parkway
Fairport, NY, 14450
USA
www.boschsecurity.com
© Bosch Security Systems, Inc., 2011



BOSCH