

## Safety



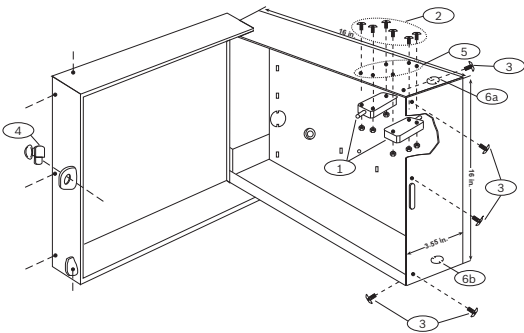
### Caution!

Remove all power (AC and battery) before making any connections. Failure to do so might result in personal injury and/or equipment damage.

## Introduction

Attack resistant enclosure to contain and protect compatible control panels in high-security mercantile alarm applications. The D8108A-CE version includes a transformer for CE installations.

## System overview



1	Tamper switches (2)
2	1 in. (2.5 cm) 6-32 screws (6) and nuts (6) for the tamper switches
3	7/8 in. (2.2 cm) 8-32 machine screws (5)
4	D101 Lock and key
5	Tamper switch mounting holes
6a	Enclosure base knockout (top) for 3/4 in. (2 cm) conduit
6b	Enclosure base knockout (bottom) for 3/4 in. (2 cm) conduit

## Installation

1. Attach the lead wires to the terminals on the tamper switch and wire in series with an EOL resistor.
2. Push the tamper switch screws through the mounting holes in the top of the enclosure and through the holes in the tamper switch.
3. Place and tighten the tamper switch nuts on the screws to attach the tamper switch to the enclosure.
4. Install the lock on the enclosure door for UL burglary and fire applications.
5. Install the control panel and mounting skirt inside the enclosure.
6. Wire, program, and test the control panel and related peripheral equipment.
7. Wire the tamper switch to a control panel protective zone or point input.
8. Close the enclosure door.
9. Push the machine screws through the door and enclosure holes to attach the door to the enclosure base.

### D101 lock installation



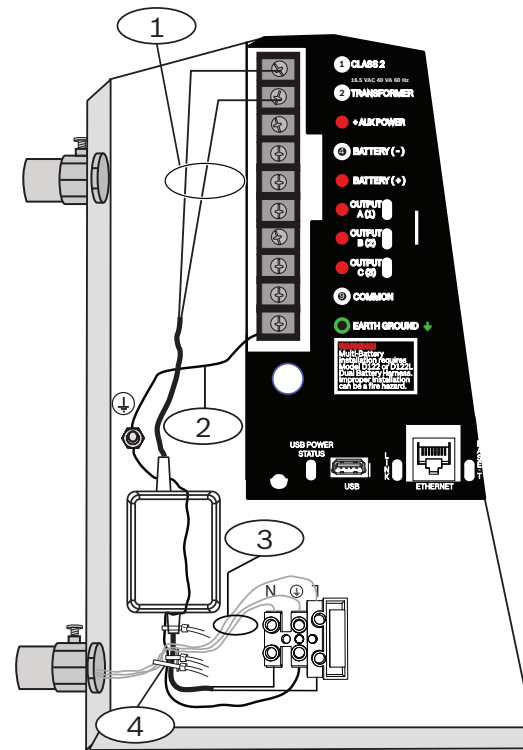
[D101 embedded installation video](#)

### ICP-EZTS tamper switch installation



[ICP-EZTS tamper switch embedded installation video](#)

## Transformer wiring diagram



1	Low voltage AC
2	Ground wire connection
3	AC IN
4	Wire tie the AC IN wires to the enclosure lance

## Technical data

Dimensions	16 in. x 16 in. x 3.5 in. (41 cm x 41 cm x 9 cm)
Color	White
Compatible Tamper Switches	D110 (P/N: 4998137947) or ICP-EZTS (P/N: F01U217038)
D101 Lock and Key	Included (P/N: 4998800200)
Transformer	Included with D8108A-CE only

### D8108A certifications

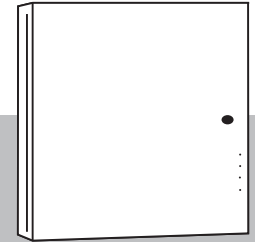
Region	Certification
US	UL 294 - Access Control System Units
	UL 365 - Police Station Connected Burglar Alarm Units and Systems
	UL 609 - Local Burglar Alarm Units and Systems
	UL 864 - Control Units and Accessories for Fire Alarm Systems
	UL 985 - Household Fire Warning System Units
	UL 1023 - Household Burglar-Alarm System Units
	UL 1076 - Proprietary Burglar Alarm Units and Systems
	UL 1610 - Central Station Burglar Alarm Units
	CSFM - California Office of The State Fire Marshal
	FDNY
Canada	CAN/ULC S303 - Local Burglar Alarm Units and Systems
	CAN/ULC S304 - Signal Receiving Centre and Premise Alarm Control Units
	ULC-ORD C1023 - Household Burglar Alarm System Units

### D8108A-CE certifications

Region	Certification
Europe	CE

## Attack Resistant Enclosure

D8108A | D8108A-CE



Quick installation guide

### **Bosch Security Systems B.V.**

Torenallee 49  
5617 BA Eindhoven  
Netherlands

**[www.boschsecurity.com](http://www.boschsecurity.com)**

© Bosch Security Systems B.V., 2023