

2 | Specifications

Dimensions	(HxWxD) 2.95 in x 2.99 in x 0.19 in (75 mm x 76 mm x 5 mm)
Weight	0.11 lb (0.05 kg)

DE-de: Für Dokumentation in Ihrer Sprache, klicken Sie hier <https://de.boschsecurity.com/de>
El-gr: Μεταβείτε στη διεύθυνση <https://gr.boschsecurity.com/el/> για την τεκμηρίωση σε αυτήν τη γλώσσα.
Es-es: Visite <https://es.boschsecurity.com/es/> para obtener documentación en este idioma.
Fr-fr: Accédez à l'adresse <https://fr.boschsecurity.com/fr/> pour obtenir la documentation dans cette langue.
Hu-hu: A honosított dokumentációt lásd a <https://hu.boschsecurity.com/hu/> oldalon.
It-it: Andare a <https://it.boschsecurity.com/it/> per la documentazione in questa lingua.
Nl-nl: Voor de documentatie in uw taal, ga naar <https://www.boschsecurity.com/nl/nl>
Pl-pl: Dokumentacja w tym języku znajduje się w witrynie <https://pl.boschsecurity.com/pl/>
Pt-br: Acesse <http://pt.boschsecurity.com/pt/> para obter a documentação neste idioma.
SE-sv: For documentation in this language, go to <https://www.boschsecurity.com/xn/en/>

Copyright

This document is the intellectual property of Bosch Security Systems B.V. and is protected by copyright. All rights reserved.

Trademarks

All hardware and software product names used in this document are likely to be registered trademarks and must be treated accordingly.

Bosch Security Systems B.V. product manufacturing dates

Use the serial number located on the product label and refer to the Bosch Security Systems B.V. website at <http://www.boschsecurity.com/datecodes/>.

Reading Bosch Security Systems B.V. Product Date Codes

For Product Date Code information, refer to the Bosch Security Systems B.V. Web site at: <http://www.boschsecurity.com/datecodes/>.



Mounting Bracket D137



en Installation Guide



Bosch Security Systems B.V.

Torenallee 49
5617 BA Eindhoven
Netherlands

www.boschsecurity.com

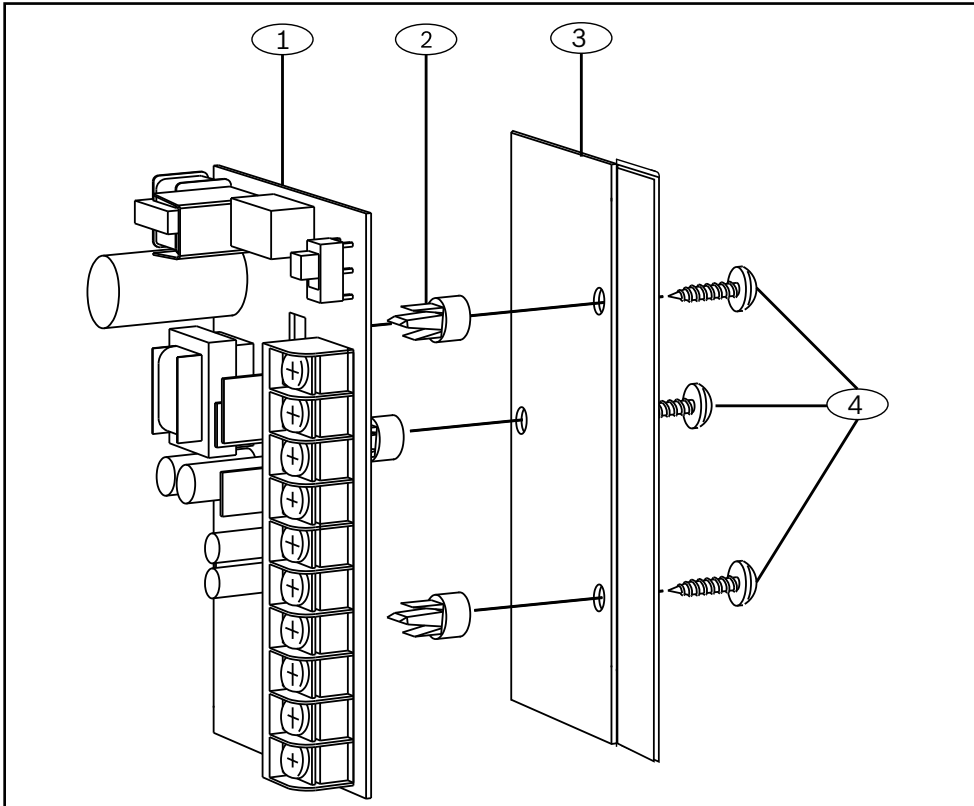
© Bosch Security Systems B.V., 2019

1 | Overview

This mounting bracket is used to attach accessory modules into D8103, D8108A, and D8109L enclosures.

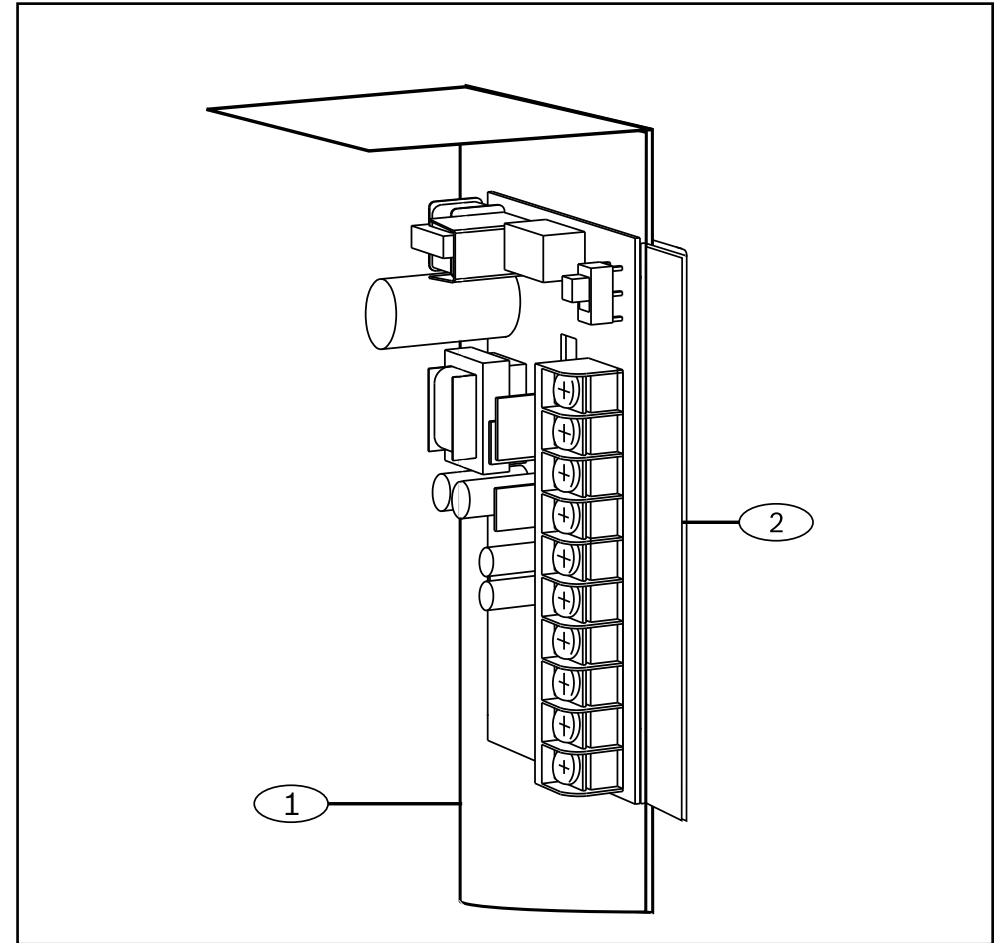
2 | Installation

1. Attach the accessory module to the D137 using the mounting clips and screws.



Callout	Description
1	Accessory module
2	Mounting clip
3	D137
4	Mounting screws

2. Slide the D137's clip edge over the enclosure's edge.



Callout	Description
1	Enclosure
2	D137's clip edge