

Affects:

ISW-BPR1-W13PX wLSN PIR Motion Detector

1.0 Issue

ISW-BPR1-W13PX wLSN PIR Motion Detectors require that the batteries are installed in a specific sequence. If the batteries are installed in the wrong sequence, the unit will either:

- Not power up properly and might fail to establish network operation, causing a missing device condition, or
- Fail to power up altogether, indicated by the LED not lighting.

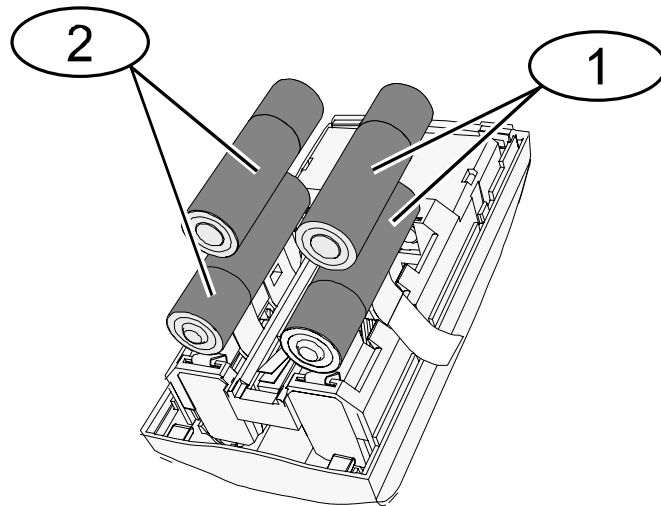
In either case, the wLSN Hub cannot discover the PIR.

2.0 Resolution

Install the batteries in the sequence shown in *Figure 1*.

If you accidentally install the batteries in the wrong sequence, remove all four batteries and install them again as described in *Figure 1*.

Figure 1: Battery Installation Sequence



1 – Install these two batteries first

2 – Install these two batteries second

