

1 | Overview

The B46 External Annunciator is an optional module that uses audio and LEDs to show System Trouble, Power, and Battery status through a knockout on select enclosure doors.

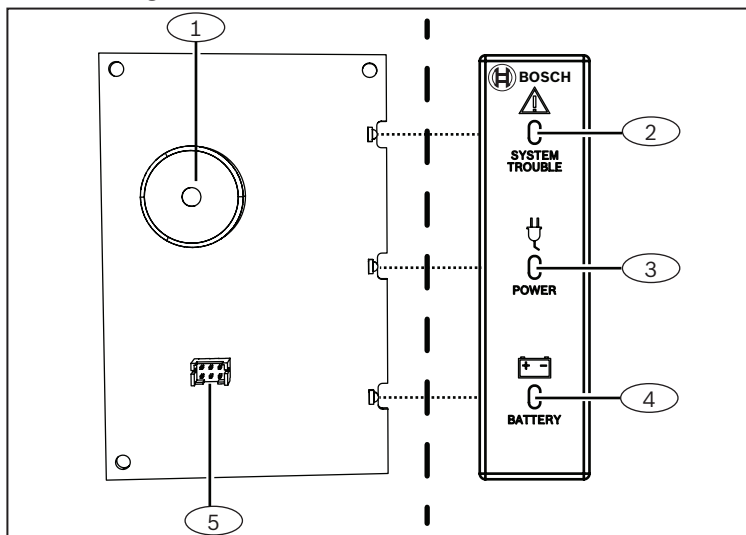


Figure 1.1: B46 overview

Callout – Description	Callout – Description
1 – Sounder	4 – BATTERY LED
2 – SYSTEM TROUBLE LED	5 – B46 to B465 connection
3 – POWER LED	

2 | Remove enclosure knockouts

Remove all designated knockouts prior to installing the B46. Perform the following to remove the enclosure knockouts:

1. Strike the four corners of the enclosure door knockout using a slotted screw driver.
2. Use a punchout tool to remove the 3-hole pattern knockouts on the enclosure side wall. Refer to *Figure 2.1* for knockouts.

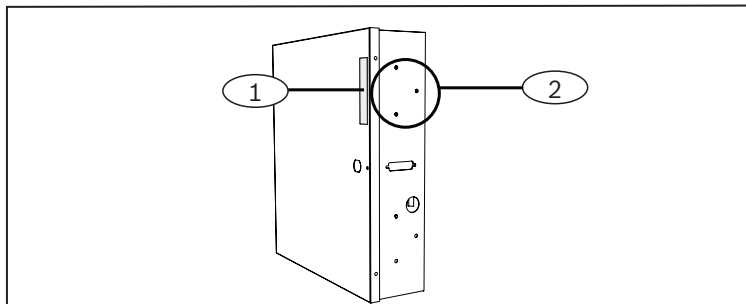


Figure 2.1: Removing enclosure knockouts

Callout – Description	Callout – Description
1 – B46 LED cover knockout	3 – B46 3-hole pattern knockout

3 | Install into an enclosure

Installing the B46 into an enclosure:

1. Insert the 3 supplied screws into the exterior, upper-right side of the enclosure. Refer to *Figure 3.1*.
2. Secure the screws to the mounting bracket.
3. Insert the lock set into the enclosure door knockout.
4. Insert the plastic LED cover into the enclosure door. Refer to *Figure 2.1* for the B46 LED cover knockout location.

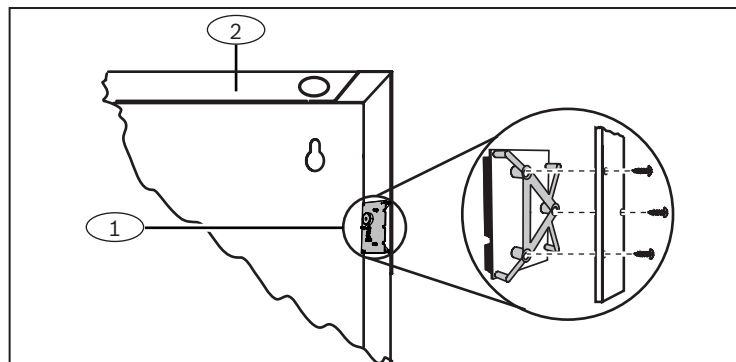


Figure 3.1: Installing into an enclosure

Callout – Description	Callout – Description
1 – B46	2 – Enclosure

4 | Wire the B46 to a module

Plug in the B46 cable between the B46 and B465 module. Make sure to insert the cable with the black portion of the cable towards the back of the port.

Inserting the B46 wiring into a supported module:

1. Insert one end of the B46 cable into the B46 port.
2. Insert the other end of the B46 cable into the supporting module's port. Refer to *Figure 4.1*.

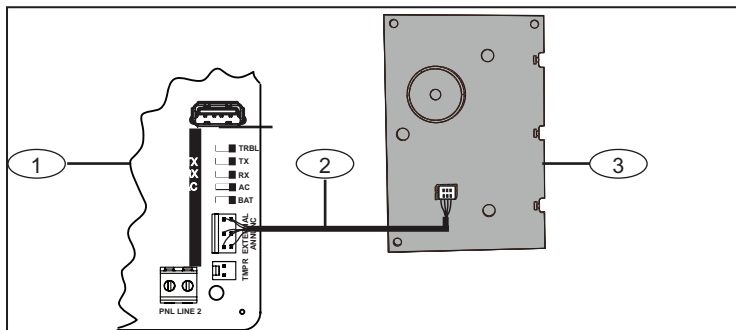


Figure 4.1: Wiring the B46 to a module (B465 shown)

Callout – Description	Callout – Description
1 – Module (B465 shown)	3 – B46 module
2 – B46 module cable (included)	

5 | Certifications

Region	Certification
US	UL 365 - Police Station Connected Burglar Alarm Units and Systems
	UL 609 - Local Burglar Alarm Units and Systems
	UL 636 - Holdup Alarm Units and Systems
	UL 864 - Controls and Accessories for Fire Alarm Systems
	UL 985 - Household Fire Warning System Units
	UL 1023 - Household Burglar-Alarm System Units
	UL 1076 - Proprietary Burglar Alarm Units and Systems
	UL 1610 - Central Station Burglar Alarm Units
	UL 1635 - Digital Alarm Communicator System Units
	FCC Part 15 Class B
Fire Department of New York (FDNY) - Certified	

Region	Certification
CA	CAN/ULC S303 - Local Burglar Alarm Units and Systems
	CAN/ULC S304 - Signal Receiving Centre and Premise Alarm Control Units
	ULC S545 - Residential Fire Warning System Control Units
	ULC-ORD C1023 - Household Burglar Alarm System Units
	ULC-ORD C1076 - Proprietary Burglar Alarm Units and Systems
	ICES-003 - Digital Apparatus

6 | Specifications

Dimensions	5.5 in x 4.1 in x 1.7 in (140 mm x 105 mm x 44 mm)
Voltage (operating)	12 VDC nominal
Current	Standby or Alarm: 23 mA
Compatible enclosure ¹	B10/B10R Medium Control Panel Enclosure D8103 Universal Enclosure (requires B12 mounting plate)
Relative humidity	Up to 93% non-condensing
Temperature (operating)	0° to +49° C (+32° to 120° F)
¹ Static may cause temporary loss of communication when using any one of the above enclosures.	

Copyright

This document is the intellectual property of Bosch Security Systems, Inc. and is protected by copyright. All rights reserved.

Trademarks

All hardware and software product names used in this document are likely to be registered trademarks and must be treated accordingly.

Bosch Security Systems, Inc. product manufacturing dates

Use the serial number located on the product label and refer to the Bosch Security Systems, Inc. website at <http://www.boschsecurity.com/datecodes/>.



Bosch Security Systems, Inc.
130 Perinton Parkway
Fairport, NY 14450
USA

www.boschsecurity.com

Bosch Sicherheitssysteme GmbH
Robert-Bosch-Ring 5
85630 Grasbrunn
Germany

External Annunciator

B46



en Installation Guide