

# AUTODOME 7000 HD

www.boschsecurity.com



**BOSCH**  
Invented for life



- ▶ High-resolution, full HD PTZ camera with 1080p25/30 (2MP) resolution and 20x zoom for capturing fine details
- ▶ New Intelligent Tracking and alarm rules engine with on-board Intelligent Video Analytics (IVA)
- ▶ Enhanced system flexibility with dual recording options (iSCSI, SD card) and dual power source options (High Power over Ethernet (High PoE) / 24 VAC)
- ▶ Fully configurable quad streaming with individually configurable HD streams, based on Bosch's new Common Product Platform (CPP4)
- ▶ Easy and intuitive installation with multiple pre-configured user modes that allow users to select the camera configuration that is ideal for their applications

The AUTODOME 7000 HD is an easy to install, high-speed PTZ dome camera, in a field-proven indoor/outdoor pendant housing or indoor in-ceiling housing, that delivers unmatched picture quality and network performance day and night with superb high-definition (HD) 1080p25/30 (2MP) video and 20x optical zoom. The camera provides complete network-based control of all dome functionality including pan/tilt/zoom operation, presets, tours and alarms as well as web-based configuration of all dome settings. It also provides direct network video streaming using H.264 compression / bandwidth throttling to efficiently manage bandwidth and storage requirements while delivering outstanding image quality.

## Functions

### High-performance PTZ day/night camera

The camera has a large, effective sensor area that contributes to very high camera sensitivity. The camera can be configured to operate in 720p50/60

mode for capturing fast motion (for example, in traffic or gaming scenarios). The default 1080p25/30 mode delivers high resolution images with six times more details than a standard definition (SD) camera.

### Wide Dynamic Range

The camera features Wide Dynamic Range (WDR) technology that allows for the capture of clear images from both bright and dark areas in the same frame. WDR ensures that bright areas are not saturated and that dark areas are not too dark.

### Sodium vapor lamp white balance

The camera is an exceptional performer when capturing video under a sodium vapor lamp (a street lamp or tunnel lamp, for example). Uncorrected images under these conditions have a yellowish tint, which can make identification difficult. In the Sodium Vapor White Balance mode, the camera automatically compensates for the light from a sodium vapor lamp to restore objects to their original color.

**Virtual masking**

The camera offers Virtual Masking, which gives users flexibility to mask parts of the scene which should not be considered for flow analysis to trigger Intelligent Tracking. This allows users to mask background motion in the scene such as moving trees, pulsating lights, busy roads, etc.

**Intelligent Tracking**

The camera utilizes the built-in Intelligent Video Analytics (IVA) to follow an individual or an object continuously. Objects detected by IVA when the camera is in a stationary position activate the Intelligent Tracking feature, which controls the pan/tilt/zoom actions of the camera to keep the tracked object in the scene.

The new Intelligent Tracking is based on robust flow detection algorithms which can reliably track moving objects even under challenging scenes.

The tracking and detection reliability can be enhanced further with virtual masking for scenes with a lot of background motion such as trees or other objects creating constant motion in the scene.

The camera supports three modes for Intelligent Tracking:

**Auto mode:** When configured in this mode, the camera actively analyzes the video to detect any moving object. If it detects movement, it begins to track the object. This mode is most useful for scenarios where normally no motion is expected.

**One Click mode:** In this mode, users can click an object moving in the live video image to enable the camera to track the movement of the selected object. This mode is most useful for scenarios where normal scene activity is expected.

**IVA-triggered mode:** In this mode, the camera continuously analyzes the scene for IVA alarms or IVA rule violations. If an IVA rule is violated, it triggers the advanced tracking feature of the camera to start following the object / person that triggered the alarm. This unique combination of robust IVA and Intelligent Tracking allows the camera to track moving objects of interest without getting distracted by other moving objects in the scene.

**Intelligence**

With built-in video content analysis, the AUTODOME reinforces the Intelligence-at-the-Edge concept where edge devices become increasingly intelligent.

The AUTODOME comes with Bosch's Intelligent Video Analysis (IVA) built-in. IVA is state-of-the-art intelligent video analysis that reliably detects, and analyzes moving objects while suppressing unwanted alarms from spurious sources in the image.

The IVA functionality built into the AUTODOME is able to detect idle and removed objects as well as loitering, multiple line crossing, and trajectories. IVA also supports BEV (Bird's Eye View) People counting. Assisted Self Calibration and configurable detection filters improve reliability and reduce operator work load.

**AUTODOME 7000 PTZ drive and mechanism**

The AUTODOME 7000 supports 256 pre-positions and two styles of Guard Tours: Preset and Record/Playback. Users can configure the preset standard tour with as many as 256 sequential pre-positions, with a configurable dwell time between pre-positions. The AUTODOME Series also provides support for two recorded tours, which are recorded macros of an operator's movements, including pan, tilt, and zoom activities, and can be played back with the click of a button.

Pan and tilt preset repeatability are accurate to within  $\pm 0.1$  degrees to ensure that the correct scene is captured every time. The camera delivers variable pan/tilt speeds from a crawl speed of only 0.1 degrees per second to a full 400 degrees per second. The camera is capable of pan speeds of 400 degrees per second and tilt speeds of 300 degrees per second between prepositions. The camera provides a tilt angle 18 degrees above the horizon, and a pan range of up to 360 degrees continuous rotation.

**Five (5) pre-programmed user modes**

Five pre-programmed but configurable user modes, optimized with the best settings for a variety of typical applications, make camera programming on-site easy and user-friendly. Users select from the menu the mode that best defines the environment in which the camera is installed:

- Outdoor – general day-to-night changes with sun highlights and street lighting
- Indoor – general day-to-night changes without sun highlights and street lighting
- Low light – optimized for sufficient details at low light
- Motion – monitoring traffic or fast moving objects; motion artifacts are minimized
- Vibrant – enhanced contrast color reproduction and sharpness

Users have the ability to customize these modes, if necessary, for the specific requirements of the site.

**Superior privacy masking**

The camera provides 24 individual, easy to configure privacy masks, with up to 8 displayed in the same scene. As the camera is zoomed, each mask changes size smoothly and quickly, ensuring that the covered object cannot be seen in most cases.

**Comprehensive streaming capabilities on Bosch's Common Product Platform (CPP4)**

The camera has an advanced, efficient H.264 encoder (CPP4) embedded for high quality HD streaming video and very efficient streaming and network capabilities. The new platform supports simultaneous streaming of individually configurable HD streams, and allows a choice of HD resolution in combination of SD resolutions.

**Recording and storage management**

A memory card (SD (Secure Digital), SDHC (Secure Digital High Capacity), or SDXC (Secure Digital eXtended Capacity)) can be used for local alarm

recording or for scheduled local recording to improve the overall recording reliability. Recording management can be controlled by the Bosch Video Recording Manager (VRM), or the camera can use iSCSI targets directly without any recording software.

#### **Advanced networking capabilities**

The AUTODOME offers advanced capabilities so you can configure the camera to take advantage of the latest networking technology.

The AUTODOME offers Quality of Service (QoS) configuration options to ensure fast network response to PTZ data and images. Quality of Service (QoS) is the set of techniques to manage network resources. QoS manages the delay, delay variation (jitter), bandwidth, and packet loss parameters to guarantee the ability of a network to deliver predictable results. QoS identifies the type of data in a data packet and divides the packets into traffic classes that can be prioritized for forwarding.

The AUTODOME also supports the IPv6 internet-layer protocol for packet-switched internetworking across multiple IP networks. IPv6 uses 128-bit addresses (IPv4 uses 32-bit addressing), which allows for many more devices and users on the internet as well as extra flexibility in allocating addresses and efficiency for routing traffic.

#### **Dual power options**

All models can be powered by a High Power-over-Ethernet (Bosch High PoE)-compliant network using a Bosch High PoE Midspan (sold separately) over a single network cable and/or a 24VAC power supply. Certain models can also be powered by any PoE+ Power Sourcing Equipment (PSE; midspan or switch) that is compliant to the IEEE 802.3at, class 4 standard and/or a 24 VAC power supply.

When powered using High PoE or PoE+ (IEEE 802.3at class 4) configuration, only a single cable connection is required to power and to control the camera while also viewing images from the camera. For additional system reliability, users also have the option to connect the 24 VAC power supply to the camera while using High PoE.

Only in-ceiling models and indoor/outdoor pendant models used in indoor applications (without heaters on) can use High PoE or PoE+ (including non-Bosch PoE+ PSE).

#### **Ease of installation and servicing**

The camera has been designed for quick and easy installation; a key feature from Bosch CCTV products. All housings feature recessed screws and latches for increased tamper resistance.

Indoor/outdoor pendant housings are rated to provide IP66 protection and offer an operating temperature range down to -40 °C (-40 °F). The indoor/outdoor pendant comes fully assembled with a sunshield and ready for wall or pipe applications with the proper mounting hardware (sold separately). In addition, the camera models with both pendant and in-ceiling

housing come equipped with a low-impact, high-resolution acrylic bubble for enhanced image clarity. You can easily convert the outdoor pendant for indoor applications by removing the sunshield. Bosch offers a full complement of hardware and accessories (sold separately) for wall, corner, mast, roof, pipe mount, and in-ceiling applications for indoor and outdoor environments, which allow the camera to be adapted easily to individual site requirements.

#### **Video management system support**

The camera ships with Bosch Video Client (BVC), an easy-to-use software from Bosch that is suitable for midsize installations. For large enterprise systems, AUTODOME cameras can be used with Bosch Video Management System (BVMS), which allows enhanced video management and viewing capabilities. In addition, the camera is supported/integrated into all of the leading third party video management systems.

#### **ONVIF conformant**

The AUTODOME Series conforms to the ONVIF Profile S specification allowing easy integration with the conformant devices and VMS.

For more information about ONVIF, visit [www.onvif.org](http://www.onvif.org).

The camera conforms to the ONVIF (Open Network Video Interface Forum) specification which guarantees interoperability between network video products regardless of manufacturer. ONVIF conformant devices are able to exchange live video, audio, metadata and control information. They are automatically discovered and connected to network applications such as video management systems.

#### **Fiber Optic Kit**

Bosch offers the optional VG4-SFPSCKT, a unique media converter module for use with AUTODOME cameras. This media converter module is designed to accept a wide-range of 10/100 Mbps SFP modules for use with Multimode or Singlemode optical fiber with LC or SC connectors.

The media converter module along with the SFP module is user-installed directly into the camera's power supply box to provide an integrated fiber optic solution.

#### **Unsurpassed reliability**

As with all Bosch products, the camera has been subjected to the industry's most comprehensive and demanding battery of endurance tests such as HALT (highly accelerated life testing) to make sure it will hold up through years of use. And of course, it comes with Bosch's industry-leading 3-year warranty.

#### **Access security**

Various security levels are available for accessing the network, the camera, and the data channels. As well as password protection with three levels, 802.1x authentication using a RADIUS (Remote Authentication Dial In User Service) server is supported. To secure Web browser access, use HTTPS with a SSL certificate

stored in the camera. For total data protection, the video and audio communication channels can be independently AES encrypted with 128-bit keys by installing the optional encryption site license.

### Easy upgrade

Remotely upgrade the camera whenever new firmware becomes available. This ensures up-to-date products, thus protecting investment with little effort.

## Certifications and approvals

### HD standards

- Complies with the SMPTE 274M-2008 Standard in:
  - Resolution: 1920x1080
  - Scan: Progressive
  - Color representation: complies with ITU-R BT.709
  - Aspect ratio: 16:9
  - Frame rate: 25 and 30 frames/s
- Complies with the 296M-2001 Standard in:
  - Resolution: 1280x720
  - Scan: Progressive
  - Color representation: complies with ITU-R BT.709
  - Aspect ratio: 16:9
  - Frame rate: 25, 30, 50 and 60 frames/s

Electromagnetic Compatibility (EMC)	Complies with FCC Part 15, ICES-003, and CE regulations, including EN 50130-4, EN 55022 Class A, EN 61000-3-3, EN 61000-6-1, EN61000-6-2, and EN 50121-4 (Railway applications)
Product Safety	Complies with CE regulations, UL, CSA, EN, and IEC Standards EN60950-1
Environmental	In-ceiling: IP54, Plenum rated (with acrylic bubble) Indoor/Outdoor pendant: IP66, NEMA 4X
ONVIF conformance	EN-50132-5-2



### Notice

Conformity to EN 50130-4  
One of the following power supply units is required to conform to the EN 50130-4 standard: VG4-A-PSU0, VG4-A-PSU1, VG4-A-PSU2, VG4-A-PA0, VG4-A-PA1, or VG4-A-PA2.

## Parts included

### In-ceiling

Quantity	Item
1	AUTODOME 7000 In-Ceiling camera with acrylic bubble and white trim ring
1	Interface box
1	Optional black trim ring
1	Ceiling gasket (for IP54 conformance)

1	Product DVD (which includes complete Operation Manual)
1	Packet of printed Safety literature

### Outdoor Pendant

Quantity	Item
1	AUTODOME 7000 Pendant camera with clear acrylic bubble and sunshield
1	Product DVD (which includes complete Operation Manual)
1	Packet of printed Safety literature

### Notes:

- The pendant can be converted to an indoor pendant by removing the sunshield.
- Mounting hardware and accessories are available separately.

## Technical specifications

### 20x HD Day/Night Camera

Imager	1/2.8-in.-type CMOS	
Number of Pixels	Effective: Approximately 3.27 megapixels Delivered: Approximately 2 megapixels	
Aspect Ratio	HD: 16:9	
Lens	20x optical zoom,(4.7 to 94 mm)	
Focus	One-push (default), Automatic (normal, low), Manual	
Iris	Automatic with manual override (F1.6 to F3.5)	
Field of View	<ul style="list-style-type: none"> <li>1080p Mode: 2.9° (tele) to 55.4° (wide)</li> <li>720p Mode: 2.0 (tele) to 37.6 (wide)</li> </ul>	
Minimum Working Distance	Day mode: 300 mm (wide) to 1000 mm (tele) Night mode: 10 mm (wide) to 1000 mm (tele)	
Gain Control	Automatic/Manual (-3 to +28 dB, +2 dB steps/16 steps)	
Digital Zoom	12x	
Sensitivity (typical) <sup>1</sup>	<b>30 IRE<sup>2</sup></b>	<b>50 IRE<sup>2</sup></b>

### Day Mode

SensUP Off (1/30 [1/25] shutter); High Sensitivity Off	0.8 lux (0.074 fc)	1.7 lux (0.158 fc)
SensUP On, max. (0.25 sec. shutter); High Sensitivity On <sup>3</sup>	0.04 lux (0.004 fc)	0.08 lux (0.007 fc)

### Night Mode

SensUP Off (1/30 [1/25] shutter); High Sensitivity Off	0.12 lux (0.011 fc)	0.3 lux (0.028 fc)
SensUP On, max. (0.25 sec. shutter); High Sensitivity On <sup>3</sup>	0.005 lux (0.0005 fc)	0.011 lux (0.001 fc)
Electronic Shutter Speed (AES)	1/1 to 1/10000 s, 22 steps	
Wide Dynamic Range (WDR)	86 dB (WDR on)	
Signal-to-Noise Ratio (SNR)	> 50 dB (AGC off, Weighting ON)	
Backlight Compensation	On/Off	
White Balance	ATW, Indoor, Outdoor, AWB Hold, Extended ATW, Manual, Outdoor Auto, Sodium Lamp Auto, Sodium Lamp	
Day/Night	Monochrome, Color, Auto	

1. F1.6, maximum AGC. Normal light source (Halogen lamp).

2. Tinted bubble adds 0.8 f-stop loss.

3. Measured using ND1 + ND4 filters and recalculated with the transmission factor at 0.0025.

## Mechanical

	In-Ceiling	Pendant
Pan Range	360° cont.	360° cont.
Tilt Angle	1° above horizon	18° above horizon
Pre-position Speed	Pan: 400°/s Tilt: 300°/s	Pan: 400°/s Tilt: 300°/s
Pan/Tilt Modes		
• Turbo Mode (Manual Control)	Pan: 0.1°/s – 400°/s Tilt: 0.1°/s – 300°/s	
• Normal Mode	0.1°/s-120°/s	0.1°/s-120°/s
Preset Accuracy	± 0.1° typ.	± 0.1° typ.

## Electrical

	In-Ceiling	Pendant
Input Voltage	21-30 VAC, 50/60 Hz (class II); High PoE (with Bosch NPD-6001A Midspan); PoE+ (IEEE 802.3at, class 4 standard)	21-30 VAC, 50/60 Hz; (class II) High PoE (with Bosch NPD-6001A Midspan) or [PoE+ (IEEE 802.3at, class 4 standard)] <sup>4</sup>
Power Consumption, typical	24 W / 44 VA	60 W / 69 VA (heaters on) or 24 W / 44 VA (heaters off) <sup>5</sup>

4. When used indoors, not powering heater.

5. Without heater connected in power supply box for indoor applications.

## Surge Suppression

Protection on Alarm Inputs	Peak current 17 A, peak power 300 W (8/20 μs)
Protection on Alarm Outputs	Peak current 2 A, peak power 300 W (8/20 μs)
Protection on Relay Output	Peak current 7.3 A, peak power 600 W (10/1000 μs)
Protection on Power Input (Dome)	Peak current 7.3 A, peak power 600 W (10/1000 μs)
Protection on Power Output (Arm Power Supply)	Peak current 21.4 A, peak power 1500 W (10/1000 μs)
10/100 Ethernet Data Lines	Peak current 14 A, peak power 200 W (8/20 μs)

## Software Control

Camera Setup/Control	Via web browser (such as Internet Explorer version 7.0 or later), Bosch Configuration Manager, Bosch Video Management System (BVMS), or Bosch Video Client (BVC)
Software Update	Network firmware upload

## Network

Video compression	H.264 (ISO/IEC 14496-10), M-JPEG
-------------------	----------------------------------

### Encoding / Streaming

	H.264		MJPEG	
	Scenario			
	Stream 1	Stream 2	Stream 3	Stream 4
1	Full HD 1080p30	Full HD 1080p5	I-frame only from Stream 1	1080p
2	Full HD 1080p30	HD 720p10	I-frame only from Stream 1	1080p
3	Full HD 1080p30	Downscaled stream	I-frame only from Stream 1	1080p
4	Full HD 1080p30	Copy of Stream 1	I-frame only from Stream 1	1080p
5	HD 720p60	HD 720p8	I-frame only from Stream 1	720p
6	HD 720p30	HD 720p30	I-frame only from Stream 1	720p
7	HD 720p30	Downscaled stream	I-frame only from Stream 1	720p

8	Downscaled stream	Downscaled stream	I-frame only from Stream 1	1080p
GOP Structure		IP, IBP, IBBP		
Data Rate (Range)		9.6 kbps to 10 Mbps (per stream)		
Overall IP Delay		240 ms		
<b>Resolutions (H x V)<sup>1</sup></b>				
<b>HD Resolutions</b>				
• 1080p HD		1920 x 1080		
• 720p HD		1280 x 720		
<b>Down-scaled SD streams</b>				
• 432p SD		768 x 432		
• 288p SD		512 x 288		
• 144p SD		256 x 144		
• Corridor mode		400 x 720		
• D1 4:3 cropped		704 x 480		
Ethernet		10-Base T/100 Base-TX, auto-sensing, half/full duplex, RJ45		
Protocols		IPv4, IPv6, UDP, TCP, HTTP, HTTPS, RTP/RTCP, IGMP V2/V3, ICMP, ICMPv6, RTSP, FTP, Telnet, ARP, DHCP, SNTP, SNMP (V1, MIB II), 802.1x, DNS, DNSv6, DDNS (DynDNS.org, selfHOST.de, no-ip.com), SMTP, iSCSI, UPnP (SSDP), DiffServ (QoS), LLDP, SOAP, Dropbox, CHAP, digest authentication		
Advanced Networking		IPv6, QoS		
<b>Audio</b>				
• Standard		G.711, 8 kHz sampling rate L16, 16 kHz sampling rate AAC, 16 kHz sampling rate		
• Signal-to-Noise Ratio		>50 dB		
• Audio Streaming		Bidirectional (full-duplex)		
<b>Local Storage</b>				
Memory Card Slot		User-supplied SD/SDHC/SDXC memory card (maximum 2TB – SDXC)		
Recording		Continuous recording of video and audio		

## Fiber Optic Kit

### VG4-SFPSCKT

Description	Fiber Optic Ethernet Media Converter kit <sup>6</sup> . Requires a small form-factor pluggable (SFP) module (sold separately).
Data Interface	Ethernet
Data Rate	10/100 Mbps IEEE 802.3 Compliant Full Duplex or Half Duplex Electrical Port Full Duplex Optical Port
Compatible Receiver	CNFE2MC
Installation	Installed inside a VG4-A-PA0, VG4-A-PA1, VG4-A-PA2, VG4-A-PSU1, or a VG4-A-PSU2 power supply box with supplied mounting hardware

6. Kit available separately and must be installed inside the AUTODOME power supply box.

### SFP Modules

Description	Interchangeable modules available for use with MMF or SMF optical fiber.
Data Interface	Ethernet
Data Rate	10/100 Mbps IEEE 802.3 Compliant

### Mechanical

#### Dimensions (LxWxH)

• SFP-2 and SFP-3	55.5 x 13.5 x 8.5 mm (2.2 x 0.5 x 0.3 in.)
• SFP-25, SFP-26	63.8 x 13.5 x 8.5 mm (2.5 x 0.5 x 0.3 in.)
Weight (all SFP modules)	0.23 kg (.05 lb)

	Type	Connector	Wavelength (transmit / receive)	Max. Distance
SFP-2	MMF	Duplex LC	1310 nm / 1310 nm	2 km (1.2 miles)
SFP-3	SMF	Duplex LC	1310 nm / 1310 nm	20 km (12.4 miles)
SFP-25	MMF	Single SC	1310 nm / 1550 nm	2 km (1.2 miles)
SFP-26	MMF	Single SC	1550 nm / 1310 nm	2 km (1.2 miles)

### Fiber Compatibility

Optical Fiber Compatibility, MMF	50/125 μm MMF. For 50/125 μm fiber, subtract 4 dB from the specified optical budget value. Must meet or exceed fiber standard ITU-T G.651.
----------------------------------	--------------------------------------------------------------------------------------------------------------------------------------------

Optical Fiber Compatibility, SMF	8–10/125 µm SMF. Must meet or exceed fiber standard ITU-T G.652.
Optical Distance Specifications	Specified transmission distances are limited to the optical loss of the fiber and any additional loss introduced by connectors, splices, and patch panels. The modules are designed to operate over the entire optical loss budget range, so they do not require a minimum loss in order to operate.

### Miscellaneous

Sectors/Titling	16 independent sectors with a 20-character title/sector
Masking	24 individually configurable privacy masks
Pre-positions	256, each with a 20-character title
Guard Tours	Two (2) types of tours: <ul style="list-style-type: none"> <li>Recorded tours – two (2)</li> <li>Preset tour – one (1), consisting of up to 256 scenes, consecutively</li> </ul>
Supported Languages	English, Chinese, Dutch, French, German, Italian, Japanese, Polish, Portuguese, and Spanish

### User Connections

Power, Camera	RJ-45 10/100 Base-TX Ethernet (High Power-over-Ethernet (High PoE)) or PoE+ (IEEE 802.3at, class 4 standard) 21-30 VAC, 50/60 Hz
Power, Heater	RJ-45 10/100 Base-TX Ethernet (High Power-over-Ethernet (High PoE)) 21-30 VAC, 50/60 Hz
Video and Control	RJ-45 10/100 Base-TX Ethernet
Alarm Inputs (7)	2 supervised; 5 non-supervised Programmable for “normally open” or “normally closed”
Alarm Outputs (4)	1 dry contact relay; 3 open collector/transistor outputs 32 VDC @ 150 ma max.
Audio	1 x mono line in, 1 x mono line out <ul style="list-style-type: none"> <li>Signal line in: 12 kOhm typical, 1 Vrms max</li> <li>Signal line out: 1 Vrms at 1.5 kOhm, typical</li> </ul>

### Environmental

	In-Ceiling (with acrylic bubble)	Pendant (with acrylic bubble)
Ingress Protection Rating/Standard	IP54, Plenum rated	IP66, <sup>NEMA 4X 7</sup>
	NEMA 4X for: <ul style="list-style-type: none"> <li>Access to Hazardous parts</li> <li>Ingress of solid foreign objects (falling dirt, circulating dust, settling dust)</li> <li>Ingress of water (dripping and light splashing, hosedown and splashing)</li> <li>Corrosive agents</li> </ul>	

Operating Temp.	-10 °C to 40 °C (14 °F to 104 °F)	-40 °C to 55 °C (-40 °F to 131 °F) or -10 °C to 55 °C (14 °F to 131 °F) <sup>8</sup>
Storage Temp.	-40 °C to 60 °C (-40 °F to 140 °F)	-40 °C to 60 °C (-40 °F to 140 °F)
Humidity	0% to 90% relative, non-condensing	0% to 100% relative, condensing

7. Meets requirements for NEMA 4X, except impact test, with use of an acrylic bubble.

8. Without heater connected in power supply box for indoor applications.

### Construction

Dimensions	See dimensional drawings
Weight	<ul style="list-style-type: none"> <li>In-ceiling: 2.58 kg (5.69 lb)</li> <li>Indoor/Outdoor Pendant: 3.06 kg (6.75 lb)</li> </ul>
Bubble Size	153.1 mm diameter (6.03 in.)
Construction Material	<ul style="list-style-type: none"> <li>Housing: In-ceiling: Magnesium Pendant: Cast aluminum</li> <li>Bubble: In-ceiling: HD High-resolution acrylic Pendant: High-resolution acrylic</li> </ul>
Standard Color	White (RAL 9003)
Standard Finish	Powder coated, sand finish

### Mounts/Accessories

#### Bubbles

##### In-ceiling

Clear HD high-resolution acrylic	VGA-BUBHD-CCLA
Tinted HD high-resolution acrylic (Included with in-ceiling camera models.)	VGA-BUBHD-CTIA

##### Pendant

Clear high-resolution acrylic (Included with pendant camera models.)	VGA-BUBBLE-PCLA
Tinted high-resolution acrylic	VGA-BUBBLE-PTIA

Polycarbonate bubbles are not recommended for use with HD products because of optical degradation.

#### Pendant Arm Mounts

Wall Arm (No Transformer)	VG4-A-PA0
Wall Arm (120/230 VAC Transformer)	VG4-A-PA1 / VG4-A-PA2
Pendant Arm with Wiring	VGA-PEND-ARM
Mounting plate for VGA-PEND-ARM	VGA-PEND-WPLATE
Trim skirt for VG4 Series Power Supplies	VG4-A-TSKIRT

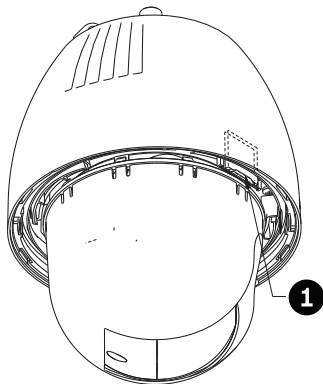
**Optional Mounting Plates for Arm Mounts**

Corner Mounting Plate	VG4-A-9542
Mast (Pole) Mounting Plate	VG4-A-9541
<b>Pendant Pipe Mounts</b>	
Pipe Mount Cap	VG4-A-9543
<b>Pendant Roof Mounts</b>	
Roof (Parapet) Mount (VG4-A-9543 Pipe Mount Cap required. Available separately.)	VGA-ROOF-MOUNT

**Optional Mounting Plates for Roof Mounts**

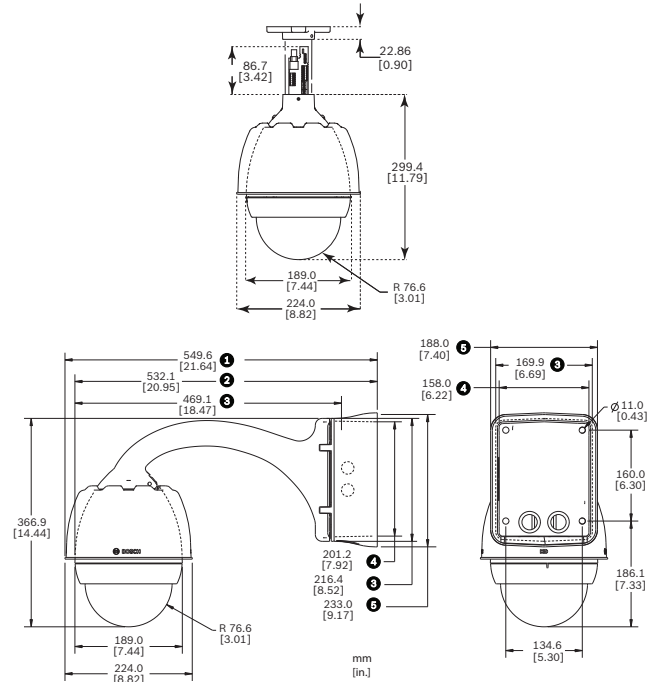
Flat Roof Adapter for Parapet Mount	LTC 9230/01
<b>In-ceiling Support Kits</b>	
Bracket for suspended or drop ceilings	VGA-IC-SP
<b>Power Supplies</b>	
High PoE Midspan 60W, single port, AC in	NPD-6001A
Outdoor Power Supply Box, no transformer	VG4-A-PSU0
Outdoor Power Supply Box (120/230 VAC Transformer)	VG4-A-PSU1 / VG4-A-PSU2
Fiber Optic Kit	VG4-SFPSCKT

**Dimensional Drawings**



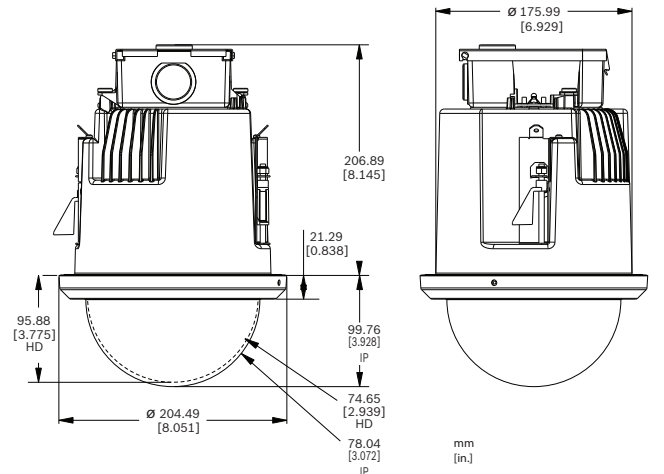
AUTODOME 7000 – Slot for SD card

- 1 Slot for SD card



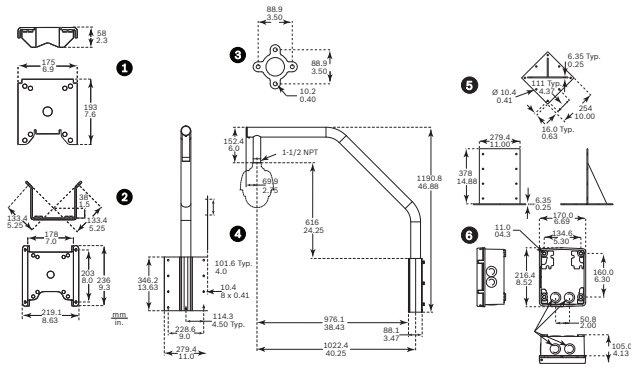
AUTODOME 7000 Dimensions – Pendant, Pipe

- 1 Power supply box and sunshield
- 2 Sunshield removed
- 3 Mounting plate
- 4 Power supply box
- 5 Trim skirt



AUTODOME 7000 Dimensions – In-ceiling





AUTODOME Dimensions - Mounts

- |                |                                         |
|----------------|-----------------------------------------|
| 1 Mast Mount   | 4 Roof Mount                            |
| 2 Corner Mount | 5 Roof Mount Adapter                    |
| 3 Pipe Mount   | 6 Power Supply for Pipe and Roof Mounts |

**Ordering information**

**AUTODOME 7000 HD 20x In-ceiling**

Order number **VG5-7220-CPT4**

**AUTODOME 7000 HD 20x Indoor/Outdoor Pendant**

Order number **VG5-7220-EPC4**

**Accessories**

**NPD-6001A High PoE Midspan 60W, single port, AC in**  
High Power, 60 W Single Port PoE Midspan with AC in  
Order number **NPD-6001A**

**VG4-A-PSU0 24 VAC Power Supply Unit**

24 VAC, 100 W, white, for an AutoDome Series camera  
Order number **VG4-A-PSU0**

**VG4-A-PSU1 120 VAC Power Supply Unit**

120 VAC, 100 W, white, for an AutoDome Series camera  
Order number **VG4-A-PSU1**

**VG4-A-PSU2 230 VAC Power Supply Unit**

230 VAC, 100 W, white, for an AutoDome Series camera  
Order number **VG4-A-PSU2**

**VG4-A-PA0 Pendant Arm Mount**

Pendant arm mount with power supply box for a AutoDome Series cameras, no transformer, white  
Order number **VG4-A-PA0**

**VG4-A-PA1 Pendant Arm Mount with 120 VAC Transformer**

Pendant arm mount with power supply box for AutoDome Series cameras with a 120 VAC transformer, white  
Order number **VG4-A-PA1**

**VG4-A-PA2 Pendant Arm Mount with 230 VAC Transformer**

Pendant arm mount with power supply box for AutoDome Series cameras with a 230 VAC transformer, white  
Order number **VG4-A-PA2**

**VGA-PEND-ARM Pendant Arm with Wiring**

Compatible with an AutoDome Series pendant housing  
Order number **VGA-PEND-ARM**

**VGA-PEND-WPLATE Mounting Plate**

Mounting plate for VGA-PEND-ARM, compatible with an AutoDome Series camera  
Order number **VGA-PEND-WPLATE**

**VGA-ROOF-MOUNT Roof Mount**

Roof parapet mount, white  
(VG4-A-9543 Pipe Mount Cap required. Available separately.)  
Order number **VGA-ROOF-MOUNT**

**LTC 9230/01 Flat Roof Mount Adapter**

For mounting a unit in an upright position on a flat surface for roof parapet mount VGA-ROOF-MOUNT  
Order number **LTC 9230/01**

**VG4-A-9541 Pole Mount Adapter**

Pole mount adapter for a for an AutoDome Series pendant arm or a VEI-30 or NEI-30 Dinion Infrared Imager, designed for poles with a diameter of 100-380 mm (4-15 in.), white  
Order number **VG4-A-9541**

**VG4-A-9542 Corner Mount Adapter**

Corner mount adapter for an AutoDome Series pendant arm or a VEI-30 or NEI-30 Dinion Infrared Imager  
Order number **VG4-A-9542**

**VG4-A-9543 Pipe Mount**

Pipe mount, white, for an AutoDome Series pendant housing  
Order number **VG4-A-9543**

**VGA-IC-SP In-ceiling Support Kit for Various Bosch Dome Cameras**

Suspended ceiling support kit for various families of Bosch dome cameras  
Order number **VGA-IC-SP**

**VGA-SBOX-COVER Cover for AutoDome Power Supply Boxes**

Order number **VGA-SBOX-COVER**

**VG4-A-TSKIRT Trim Skirt for AutoDome Power Supply Boxes**

Trim skirt for the following AutoDome Series power supply boxes:  
VG4-A-PSU0, VG4-A-PSU1, and VG4-A-PSU2  
Order number **VG4-A-TSKIRT**

**VGA-BUBBLE-PCLA Clear High-resolution Bubble for a Pendant Housing**

Low-impact acrylic bubble

Order number **VGA-BUBBLE-PCLA****VGA-BUBBLE-PTIA Tinted High-resolution Bubble for a Pendant Housing**

Low-impact acrylic bubble

Order number **VGA-BUBBLE-PTIA****VGA-BUBHD-CCLA Clear HD High-Resolution Acrylic Bubble for In-Ceiling AUTODOME cameras**Order number **VGA-BUBHD-CCLA****VGA-BUBHD-CTIA Tinted HD High-Resolution Acrylic Bubble for In-Ceiling AUTODOME cameras**Order number **VGA-BUBHD-CTIA****VG4-SFPSCKT Fiber Optic Ethernet Media Converter Kit**

Ethernet media converter video transmitter/data receiver fiber optic kit

Order number **VG4-SFPSCKT****SFP-2 Small Form-factor Pluggable Optical Interface**

SFP Fiber Optic Module, Multi-mode, 1310 nm, 2 km (1.2 miles), 2 LC connectors

Order number **SFP-2****SFP-3 Small Form-factor Pluggable Optical Interface**

SFP Fiber Optic Module, Single-mode, 1310 nm, 20 km (12.4 miles), 2 LC connectors

Order number **SFP-3****SFP-25 Small Form-factor Pluggable Optical Interface**

SFP Fiber Optic Module, Multi-mode, 1310/1550 nm, 2 km (1.2 miles), 1 SC connector

Order number **SFP-25****SFP-26 Small Form-factor Pluggable Optical Interface**

SFP Fiber Optic Module, Multi-mode, 1550/1310 nm, 2 km (1.2 miles), 1 SC connector

Order number **SFP-26****Represented by:****Americas:**

Bosch Security Systems, Inc.  
130 Perinton Parkway  
Fairport, New York, 14450, USA  
Phone: +1 800 289 0096  
Fax: +1 585 223 9180  
security.sales@us.bosch.com  
www.boschsecurity.us

**Europe, Middle East, Africa:**

Bosch Security Systems B.V.  
P.O. Box 80002  
5617 BA Eindhoven, The Netherlands  
Phone: + 31 40 2577 284  
Fax: +31 40 2577 330  
emea.securitysystems@bosch.com  
www.boschsecurity.com

**Asia-Pacific:**

Robert Bosch (SEA) Pte Ltd, Security Systems  
11 Bishan Street 21  
Singapore 573943  
Phone: +65 6571 2808  
Fax: +65 6571 2699  
apr.securitysystems@bosch.com  
www.boschsecurity.asia

**China:**

Bosch (Shanghai) Security Systems Ltd.  
201 Building, No. 333 Fuquan Road  
North IBP  
Changning District, Shanghai  
200335 China  
Phone +86 21 22181111  
Fax: +86 21 22182398  
www.boschsecurity.com.cn

**America Latina:**

Robert Bosch Ltda Security Systems Division  
Via Anhanguera, Km 98  
CEP 13065-900  
Campinas, Sao Paulo, Brazil  
Phone: +55 19 2103 2860  
Fax: +55 19 2103 2862  
latam.boschsecurity@bosch.com  
www.boschsecurity.com