

Access Management System V5.5



Access Management System (AMS) is an access control system for stand-alone application or for integration with other systems, such as the Bosch video management system BVMS or Bosch B and G series intrusion panels.

- As a stand-alone system, it features a simple-to-use map and alarm viewer for a rapid assessment of all the devices and entrances on the site.
- As an integrated system, it allows the operator of a video management system to perform door-related tasks like video-based ID verification, to grant and deny access, or to disable doors.
- Modern web-based services can be used to easily and efficiently manage visitor and employee data as well as cards and mobile credentials.
- Intrusion areas can be armed directly from the Map View, and intrusion panel users can be centrally managed.

AMS combines the robustness, performance and features of high-end access control products with a modern UI.

The existing portfolio of Bosch access control devices can be easily integrated.

Data privacy and IT security is state-of-the-art, in order to comply with the latest data-protection regulations.

- ▶ Provides high-end access control features, performance and availability.
- ▶ Highly scalable: From 1,000 to 400,000 users, and from 32 to 10,000 doors.
- ▶ Intuitive GUI for maps and alarm viewer, and web-based tools for Credential Management and Visitor Management.
- ▶ Easy to configure: Pre-packaged licenses, simple installation and set-up.
- ▶ Comprehensive security management: Integrates with intrusion and video systems.

System overview

Access Management Server

The server is the main component for processing all data. It coordinates the activities of all the hardware and software components.

Master Access Controller (MAC)

The MAC is an additional security layer to increase system availability. It holds its own database to exchange information between AMCs, even if the main server or the network is down. All AMCs connect via highly encrypted communication to the MAC servers.

Access Modular Controller (AMC)

The AMC is a robust and reliable field controller to connect to up to 8 doors with readers and door strikes. With its large on-board memory the AMC can make autonomous decisions and store hundreds of thousands of access events, regardless of network interruptions.

Access Management Database

The SQL server holds all master data (cardholder, cards, authorizations, schedules, etc.) and all access events. The latest version provides encryption to protect personal information from misuse or theft, and can run on a dedicated server.

Access Management Dialog Manager

The Dialog Manager is the main user interface for configuring the system, and for collecting and maintaining access-related information. In particular, its personnel dialogs are used for enrolling new cardholders, and maintaining their access authorizations and credentials.

Access Management Map View

The Map View is a simple-to-use application both to visualize the overall security situation of the premises, and zoom into close detail. It displays access violations, tampering and malfunction alarms, and allows the sending of commands directly from the maps themselves.

Badge designer

Card personalization is included in the product, providing you with the means to design your badges, to perform image acquisition with USB cameras and to use most commercially available card printers.

Visitor Management

Receptionist view: a browser-based user interface where receptionists can efficiently register and monitor visitors and visits.

Host view: a browser-based user interface where employees can pre-register their visits and receive email notifications when their visitor has arrived.

Visitor view: a browser-based user interface in **kiosk mode**, where visitors can maintain their own stored profiles, scan their ID papers and digitally sign required documents, so substantially reducing waiting times and crowding at reception.

Credential Management

Browser-based software tool that operates in tandem with a Bosch access control system with a simple and intuitive user interface. It enables even relatively inexperienced operators to manage the access credentials of employees and external personnel. The credentials themselves can be either physical cards, or virtual cards sent to employees' mobile devices.

Mobile Access*

The Mobile Access service can be installed completely on-premises and it is completely integrated into the AMS logic. Therefore, mobile credentials and user data can be managed in one access system without the need of an online portal.

Bosch Mobile Access app: Mobile Access The Mobile Access application is a supplement to the classic card in the Access Control System. The organizational administrator registers a user or a group of users either in the Visitor Management or in Credential Management front end. Depending on the enrollment type, the user receives an e-mail or a QR

code to complete the registration. The user can then authenticate in front of a reader through the mobile application.

Bosch Setup Access app: allows installers of mobile access systems to configure access control readers via Bluetooth in a more friendly and quicker way.

Access Management BVMS Interface

The seamless integration with BVMS (version 10.1 or higher) allows the video verification of cardholder identities from the BVMS operator client: a person requesting access with a valid card can be manually verified through camera live stream and the cardholder's photo from the database. Camera events can trigger door actions. Door events can trigger camera actions.

Access Management Intrusion Interface

The Intrusion interface offers command & control as well as user management for G and B Series Intrusion panels.

Shows area states (e.g. armed, ready to arm), detector states and intrusion events on Map View. Allows the sending of commands (e.g. arm, disarm) to panels.

Access Management API

This REST-API facilitates the integration of 3rd party systems with AMS, for instance an Identity Management or Facility Management app.

Integration of wireless online locks

Integration of **SimonsVoss SmartIntego** wireless online locks (lock cylinders, door handles and padlocks) for doors, which require medium-level security, such as offices and classrooms. Available in certain countries only.

Integration of remote offline locks

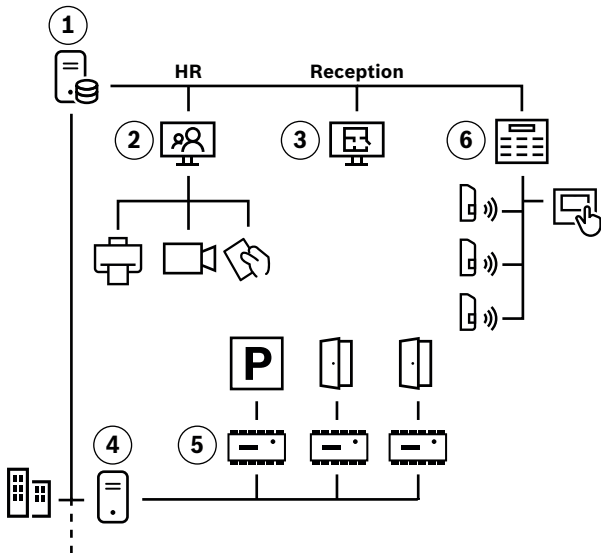
Integration of **OSS-SO compliant offline locks** or **Normbau (Pegasys)** offline locks. This offline locking system consists of software, hardware and accessories. The hardware is freely available on the open market from Bosch partners. The software license enables a number of dialogs in AMS. Available in certain countries only.

Access Importer/Exporter

This tool facilitates data import and export from external systems for 1-time data migration, such as from Access PE systems, or regular data transfer from Active Directory via the LDAP protocol. An export of time stamps to an external Time and Attendance system is also possible.

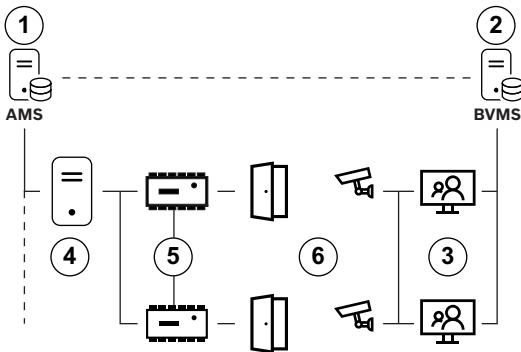
Topology diagrams

The following diagrams illustrate AMS configurations with integrated intruder-detection panels and with BVMS.



Intruder-detection topology

- (1) AMS server
- (2) Client workstation for enrollment
- (3) Client workstation for access control, visitor management, alarm management and the centralized arming/disarming of intrusion areas
- (4) Optional MAC servers (one MAC license is always included, on the AMS server)
- (5) AMCs for parking lot and door control
- (6) Intrusion panel with detectors and touch-screen keypad



BVMS Integration

- (1) AMS server
- (2) BVMS management server or DIVAR IP all-in-one
- (3) BVMS Client workstation for access and video management

- (4) Optional MAC servers (one MAC license is always included, on the AMS server)
- (5) AMCs
- (6) Entrances with cameras

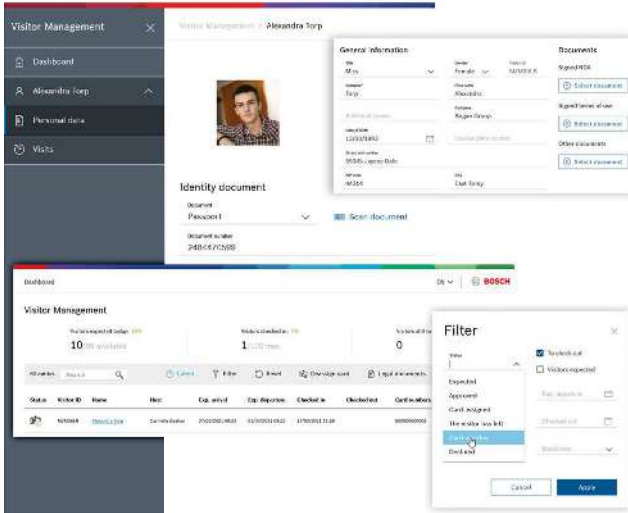
Functions

- Registration of new cardholders:
 - Use fully customizable enrollment dialogs to streamline the process of cardholder enrollment.
 - Capture both conventional and biometric characteristics, including photos and signatures.
 - Design and produce physical credentials.
 - Take advantage of dialogs for the mass import of stored personnel data.
- Assigning of access authorizations:
 - Collect access authorizations into reusable profiles, and assign these to predefined or customized personnel types.
- Door functions:
 - Use a comprehensive set of template door models, including elevators and parking lots, to accelerate the configuration phase of your project.
 - Office mode: unlock doors for free access during office or shop hours.
 - Random screening of cardholders.
 - Verify cardholder identity with biometric checks at entrances, and with additional video-based ID verification powered by BVMS.
 - Disarm an intrusion area and grant access with a single card swipe.
 - Use the SimonsVoss SmartIntego technology to enhance your system with card-programmable remote online doors, as commonly used in hotels, healthcare, offices and educational establishments.
- Reporting:
 - Take advantage of a large number of predefined template reports.
- Visitor Management :
 - Pre-register appointments in the system, to shorten processing time.
 - Allow visitors to create their own profiles in kiosk mode, to avoid queues at reception.
 - Use a dashboard to monitor the day's expected visits, how many visitors are on the premises, which credentials are in use, and which credentials still need to be collected.

- Send e-mail notification to host when visitor has arrived.
- Set expiration dates on visitor profiles and their attachments to comply with national data privacy regulations, such as European GDPR.

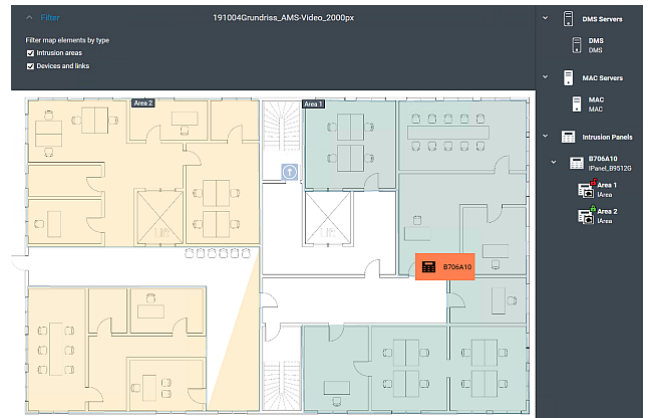
Welcome

Please enter your visitor ID.



- Credential Management:
 - Simple browser-based software tool with intuitive user interface to manage the access credentials.
 - Allow operator to assign and deassign physical access cards and virtual credentials for mobile access.
 - Together with Mobile Access, it allows operators to send virtual credentials to the installer app in order to install mobile access readers.
- Mobile Access*:
 - Use of mobile phone for physical access.
 - Allows connection to a reader.
 - The installer app allows reader configuration.
 - Adjustable communication range that allows over long distances.
 - Uses two-factor authentication as face ID on phone for higher security.
 - Works also in combination with Pin code on a reader.
- Guard Tours and patrols:
 - Define up to 200 guard tours, and monitor up to 8 patrols simultaneously.
- Monitor car parks and muster points:
 - Display customizable summaries of employees and vehicles on site.

- Monitor the number of available parking spaces.
- Divisions:
 - Provide unified access control for a facility that is shared by any number of independent parties.
 - Individual operators can be restricted to manage only the persons, devices and entrances of those divisions assigned to them.
- Alarm Monitor, Command & Control:
 - The Map View supports up to 1,000 maps (100 for better usability), which can be nested to provide both overviews and close detail.
 - Use the Map View to keep control of large numbers of entrances simultaneously.
 - Use the Map View to monitor incoming alarms and alerts in real time. AMS does not buffer intrusion alarms that occur while the network or the system itself is down.



- BVMS and DIVAR IP Integration:
 - Video verification at entrances.
 - Camera actions (e.g. start recording, pan/tilt/zoom) triggered by access events (e.g. unauthorized door opening).
 - Door events (e.g. unlock/lock door) triggered by camera events (e.g. Intelligent Video Analytics).
 - Requires version 10.1 or higher.
- Milestone XProtect Integration:
 - Use AMS to support XProtect with access events and alarms for further processing on XProtect client.
- Intrusion Integration:
 - Supports up to 500 Bosch B Series (Bx512) and G Series (Bx512G) control panels for central user management and 80 panels for command & control.
 - Supports Bosch B901 door controllers for Wiegand card readers.

Installation/configuration notes

The following tables illustrate hardware and software requirements for running AMS.

Server	
Supported operating systems.	<ul style="list-style-type: none"> Windows 11 Professional and Enterprise 23H2
Installations on other operating systems may succeed, but are entirely without warranty.	<ul style="list-style-type: none"> Windows Server 2019 (Version 1809) (64bit, Standard, Datacenter); Windows Server 2022 (64 bit, Standard, Datacenter) Windows 10 Professional and Enterprise 22H2 ; Windows 10 21H2 LTSC Ensure that the latest software updates are installed.
Remote database	<ul style="list-style-type: none"> SQL Server 2019 Note: The default database delivered with this system is SQL Server 2019 Express edition with advanced services
Minimum hardware requirements	<ul style="list-style-type: none"> Intel i7 processor generation 10 16 GB RAM (32 GB recommended) 250 GB of free hard disk space Hard disk transfer rate 300 MB/s with < 10 ms average response time (SSD recommended) Graphics adapter with <ul style="list-style-type: none"> 256 MB RAM A resolution of 1280x1024 (Use the graphic resolution recommended for the client if you wish to run the Map View client on the AMS server). At least 32 k colors 1 Gbit/s Ethernet card A free USB port or network share for installation files

Client, including the Map View client

Supported operating systems.	<ul style="list-style-type: none"> Windows 11 Professional and Enterprise 23H2
Installations on other operating systems may succeed, but are entirely without warranty.	<ul style="list-style-type: none"> Windows 10 Professional and Enterprise 22H2 ; Windows 10 21H2 LTSC Ensure that the latest software updates are installed.
Minimum hardware requirements	<ul style="list-style-type: none"> Intel i5 or higher 8 GB RAM (16 GB recommended) 25 GB of free hard disk space Graphics adapter <ul style="list-style-type: none"> 256 MB RAM To use the AMS Dialog manager, a resolution of 1280x1024 is sufficient.

Client, including the Map View client

- For AMS Map view, a resolution of 1920x1080 (Full HD) is required.
- At least 32 k colors
- DirectX® 11
- 1 Gbit/s Ethernet card
- A free USB port or network share for installation files

Visitor Management and OSO Configurator clients

Supported browsers. Google Chrome, Mozilla Firefox, Microsoft Edge (Chromium based)
 Minimum recommended screen resolution Full HD 1920x1080

Web Browser	Version
Google Chrome	126 or higher
Microsoft Edge	124 or higher
Mozilla Firefox	125 or higher

MAC server

Supported operating systems.	<ul style="list-style-type: none"> Windows 11 Professional and Enterprise 23H2
Installations on other operating systems may succeed, but are entirely without warranty.	<ul style="list-style-type: none"> Windows Server 2019 (Version 1809) (64bit, Standard, Datacenter); Windows Server 2022 (64bit, Standard, Datacenter) Windows 10 Professional and Enterprise 22H2; Windows 10 21H2 LTSC Ensure that the latest software updates are installed.
Minimum hardware requirements	<ul style="list-style-type: none"> Intel i5 or higher 8 GB RAM (16 GB recommended) 60 GB of free hard disk space Graphics adapter with <ul style="list-style-type: none"> 256 MB RAM A resolution of 1280x1024 At least 32 k colors 1 Gbit/s Ethernet card

The following table lists the versions of auxiliary software tools that are compatible with this version of the system.

Component	Build version	Location
Importer/Exporter	1.3.8	AMS Media Package Folder: AddOns/Standard/ImportExport

Component	Build version	Location
Occupancy Monitor	1.3.5	AMS Media Package Folder: AddOns/Advanced/OccupancyMonitor
AECT tool	1.0.0.7	AMS Media Package Folder: AddOns/Advanced/AECT
Biometric IP-config tool	5.5	AMS Media Package Folder: AddOns/Advanced/BioConfig
AMC IPconfig tool	1.14.3	AMS Media Package Folder: AddOns/Standard/AccessIpConfig
SDK	5.5	AMS Media Package Folder: AddOns/Advanced/API
MAC Installer	5.5	AMS Media Package Folder: AddOns/Advanced/MultiMAC
Key Management tool	2.8.2	AMS Media Package Folder: AddOns/Advanced/ReaderConfig-Tool
Intrusion RPS API	2.2.27914	AMS Media Package Folder: AddOns/Advanced/Intrusion-RPS-API
Milestone plug-in	5.5	AMS Media Package Folder: <Language>\ServerPlugin
BVMS	11.1.1	Download Store / Product Catalogue
Visitor Management	6.0.*	Download Store / Product Catalogue
Credential Management	2.0.*	Download Store / Product Catalogue
Mobile Access	3.0.*	Download Store / Product Catalogue
Peripheral Devices	5.2.*	Download Store / Product Catalogue
Milestone Xprotect	2020 R3	Download Store Milestone

The complexity of security systems has increased significantly over the last few years. At the same time, you are relying on your system to mitigate security risks. With Bosch Software Assurance, you can always approach us for help, to ensure your system keeps pace with changes.

You can find the terms and conditions of Bosch Software Assurance on the Bosch Building Technologies website: <https://www.boschsecurity.com/xc/en/solutions/management-software/bosch-software-assurance/>

Technical specifications

The following tables specify the dimensions of an AMS access control system from two aspects:

- As per the respective license bundle: **LITE**, **PLUS** or **PRO**.
- As a maximum, if the necessary licenses are purchased.

License bundle LITE

LITE	Licensed number	Maximum number
Number of doors (with 1 or 2 readers):	16	80
Number of cards:	200	5,000
Number of divisions:	1	1
Number of clients configurable:	1	2
Number of MACs	1	1
Number of AMCs	Maximum 125 per MAC Up to 60 (on the network) recommended for high performance	
Number of authorizations	Maximum 1024 per MAC	
Number of guard tours	50	
SDK available	yes	
BVMS integration available	✓	
Intrusion integration	Maximum number of Bosch B Series (Bx512) and G Series (Bx512G) control panels: <ul style="list-style-type: none"> • for command and control: 50 • for central user management: 50 	

License bundle PLUS

PLUS	Licensed number	Maximum number
Number of doors (with 1 or 2 readers):	32	10000
Number of cards:	2,000	400,000

PLUS	Licensed number	Maximum number
Number of divisions:	2	200
Number of clients configurable:	2	200
Number of MACs	1	40
Number of AMCs	Maximum 125 per MAC Up to 60 (on the network) recommended for high performance	
Number of authorizations	Maximum 1024 per MAC	
Number of guard tours	100	
SDK available	yes	
BVMS integration available	✓	
Intrusion integration	Maximum number of Bosch B Series (Bx512) and G Series (Bx512G) control panels: <ul style="list-style-type: none"> for command and control: 80 for central user management: 500 	

Specifications for AMS server and client reference systems

The following are specifications for a reference system with good overall performance.

	Server system (with no client running)	Client system
CPU	Intel Xeon E-2144G @ 3,6 GHz (4 cores, 8 logical)	Intel Core i7-8700 @ 3,2 GHz (6 cores, 12 logical)
RAM	32 GB (2667 MHz)	8 GB (2667 MHz)
GPU	Integrated graphics from CPU	Intel UHD Graphics 630 (4GB GPU memory)
System disk	NVMe Write speed: 1440MB/s Read speed: 2250MB/s Average response time 10ms	SSD disk
Disk where AMS is installed	SSD Write speed: 1000MB/s Read speed: 1100MB/s Average response time 10ms	
Operating system	Microsoft Server 2019 Standard Edition	Microsoft 10 Pro Edition

Performance of the reference system

	SQL Server 2019 Express version	SQL Server 2019 Standard version
Max. events per second	70	150
Max. events that can be stored in the event database.	2x10^6	Limited by storage capacity, not by database version.

- The system can process a maximum of 100 access events per second (for example: door open/close, audit trail entries).
- With intrusion integration, one point change can trigger three or more access events, for example *Point shorted, Area not ready to arm, Point state changed*. Consider this factor when calculating performance.

Languages of the user interface

- AR: Arabic
- DE: German
- EN: English
- ES: Spanish
- FR: French
- HU: Hungarian
- JP: Japanese
- NL: Dutch
- PL: Polish
- PT: Portuguese
- RO: Romanian
- RU: Russian
- TR: Turkish
- ZH-CN: Chinese (simplified)
- ZH-TW: Chinese (traditional)

AMS web applications add-ons offer the user interface with the following languages:

Visitor Management

Starting from 5.5 and later, Visitor Management interface supports the same languages as the main access control system (AMS).

Credential Management

Starting from 5.5 and later, Credential Management interface supports the same languages as the main access control system (AMS).

Multi User Manager

- DE: German
- EN: English
- NL: Dutch
- PL: Polish

Hardware devices supported

- The Bosch AMC2 family of access controllers
See corresponding datasheets in the product catalogs at <https://www.boschsecurity.com>
- Bosch AMC2 extension boards
See corresponding datasheets in the product catalogs at <https://www.boschsecurity.com>
- SimonsVoss SmartIntego remote online door components
- Uhlmann & Zacher Clex public or Allegion offline locks (OSS-SO compatible). Available in certain countries
- Normbau Pegasys offline locks (V2.1). Available in certain countries
- Idemia Sigma, Morpho, VisionPass biometric fingerprint and face recognition readers

Other supported systems

- ISS SecurOS face and license plate recognition system
- Oosto OnAccess face recognition system
- Otis Compass elevator dispatch system
- Deister flexx and maxx key management systems

For Visitor Management

- Card enrollment reader: LECTUS enroll ARD-EDMCV002-USB, HID OMNIKEY 5427 CK, OMNIKEY 5427G2
- Signature reader: signotec LITE, signotec Omega
- Scanner for ID documents: ARH Combo, ARH Osmond

***Note:** Mobile Access is available in selected regions.

Ordering information**AMS-BLIT License lite base**

License for the LITE base
Order number **AMS-BLIT | F.01U.406.304**

AMS-BPLU License plus package

License for the PLUS base
Order number **AMS-BPLU | F.01U.406.305**

AMS-X32DORLIT License 32 door expansion

License for 32 door expansion
Order number **AMS-X32DORLIT | F.01U.408.587**

AMS-XCLLIT License 1 operator client expansion

License for 1 operator client expansion
Order number **AMS-XCLLIT | F.01U.408.586**

AMS-X100CRDLIT License 100 ID card expansion

License for 100 ID card expansion
Order number **AMS-X100CRDLIT | F.01U.408.588**

AMS-X1KCRDLIT License 1000 ID card expansion

License for 1000 ID card expansion
Order number **AMS-X1KCRDLIT | F.01U.408.589**

AMS-XPANLIT License 1 G Series expansion

License for 1 G Series expansion
Order number **AMS-XPANLIT | F.01U.408.590**

AMS-FVISLIT Visitormanagement AMS Lite

License for Visitor management AMS Lite
Order number **AMS-FVISLIT | F.01U.409.060**

AMS-X5SIOLIT License 5 SmartIntego Doors

License for 5 SmartIntego doors
Order number **AMS-X5SIOLIT | F.01U.413.501**

AMS-X32DORPLU License 32 door expansion

License for 32 door expansion
Order number **AMS-X32DORPLU | F.01U.408.576**

AMS-X128DORPLU License 128 door expansion

License for 128 door expansion
Order number **AMS-X128DORPLU | F.01U.408.578**

AMS-X512DORPLU License 512 Door expansion

License for 512 Door expansion
Order number **AMS-X512DORPLU | F.01U.426.032**

AMS-XCLIPLU License 1 operator client expansion

License for 1 operator client expansion
Order number **AMS-XCLIPLU | F.01U.408.574**

AMS-XDIVPLU License 1 division expansion

License for 1 division expansion
Order number **AMS-XDIVPLU | F.01U.408.575**

AMS-XMACPLU License 1 MAC expansion

License for 1 MAC expansion
Order number **AMS-XMACPLU | F.01U.408.581**

AMS-X1KCRDPLU License 1000 ID card expansion

License for 1000 ID card expansion
Order number **AMS-X1KCRDPLU | F.01U.408.579**

AMS-X10KCRDPLU License 10000 ID card expansion

License for 10000 ID card expansion
Order number **AMS-X10KCRDPLU | F.01U.408.580**

AMS-X50KCRDPLU License 50000 ID Card exp

License for 50000 ID Card expansion
Order number **AMS-X50KCRDPLU | F.01U.426.035**

AMS-FVISPLU Visitormanagement AMS Plus

License for Visitor management AMS Plus
Order number **AMS-FVISPLU | F.01U.409.103**

AMS-XPANPLU License 1 G Series expansion

License for 1 G Series expansion
Order number **AMS-XPANPLU | F.01U.408.584**

AMS-X10PANPLU License 10 G Series expansion

License for 10 G Series expansion
Order number **AMS-X10PANPLU | F.01U.408.585**

AMS-X25OFFPLU License 25 Pegasys doors

License for 25 Pegasys doors
Order number **AMS-X25OFFPLU | F.01U.408.582**

AMS-X25OSOPLU License 25 OSO offline doors

License for 25 OSO offline doors
Order number **AMS-X25OSOPLU | F.01U.408.583**

AMS-X25SIOPLU License 25 SmartIntego Door expansion

License for 25 SmartIntego doors
Order number **AMS-X25SIOPLU | F.01U.413.500**

AMS-X32DORPRO License 32 door expansion

License for 32 door expansion
Order number **AMS-X32DORPRO | F.01U.408.545**

AMS-X128DORPRO License 128 door expansion

License for 128 door expansion
Order number **AMS-X128DORPRO | F.01U.408.546**

AMS-X512DORPRO License 512 door expansion

License for 512 door expansion
Order number **AMS-X512DORPRO | F.01U.408.547**

AMS-X5CLIPLU License 5 Operator Client exp

License for 5 Operator Client expansion
Order number **AMS-X5CLIPLU | F.01U.426.079**

AMS-XCLIPRO License 1 operator client expansion

License for 1 operator client expansion
Order number **AMS-XCLIPRO | F.01U.408.542**

AMS-X5CLIPRO License 5 operator client expansion

License for 5 operator client expansion
Order number **AMS-X5CLIPRO | F.01U.408.543**

AMS-XDIVPRO License 1 division expansion

License for 1 division expansion
Order number **AMS-XDIVPRO | F.01U.408.544**

AMS-XMACPRO License 1 MAC expansion

License for 1 MAC expansion
Order number **AMS-XMACPRO | F.01U.408.567**

AMS-X10KCRDPRO License 10000 ID card expansion

License for 10000 ID card expansion
Order number **AMS-X10KCRDPRO | F.01U.408.565**

AMS-X50KCRDPRO License 50000 ID card expansion

License for 50000 ID card expansion
Order number **AMS-X50KCRDPRO | F.01U.408.566**

AMS-XPANPRO License 1 G Series expansion

License for 1 G Series expansion
Order number **AMS-XPANPRO | F.01U.408.572**

AMS-X10PANPRO License 10 G Series expansion

License for 10 G Series expansion
Order number **AMS-X10PANPRO | F.01U.408.573**

AMS-X25OFFPRO License 25 Pegasys door expansion

License for 25 Pegasys door expansion
Order number **AMS-X25OFFPRO | F.01U.408.569**

AMS-X25OSOPRO License 25 OSO offline doors

License for 25 OSO offline doors
Order number **AMS-X25OSOPRO | F.01U.408.570**

AMS-X5SIOPLU License 5 SmartIntego Doors

License for 5 SmartIntego Doors
Order number **AMS-X5SIOPLU | F.01U.413.501**

AMS-X25SIOPRO License 25 SmartIntego doors

License for 25 SmartIntego doors
Order number **AMS-X25SIOPRO | F.01U.408.571**

AMS-XKEYPLU License 1 Key Management expansion

License for 1 Key Management expansion
Order number **AMS-XKEYPLU | F.01U.426.036**

AMS-XKEYPRO License 1 key management expansion

License for 1 key management expansion
Order number **AMS-XKEYPRO | F.01U.408.568**

AMS-SMA-LITE License for AMS-BASE-LITE*, 1 yr

1-year Service and Maintenance Agreement (SMA) for AMS-BASE-LITE
Order number **AMS-SMA-LITE | F.01U.363.506**

AMS-SMA-PLUS License for AMS-BASE-PLUS*, 1 yr

1-year Service and Maintenance Agreement (SMA) for AMS-BASE-PLUS
Order number **AMS-SMA-PLUS | F.01U.363.507**

AMS-SMA-PRO License for AMS-BASE-PRO*, 1 yr

1-year Service and Maintenance Agreement (SMA) for AMS-BASE-PRO
Order number **AMS-SMA-PRO | F.01U.363.508**

AMS-SMA-1DIV License for AMS-XDIV-1V*, 1 yr

1-year Service and Maintenance Agreement (SMA) for AMS-XDIV-1V
Order number **AMS-SMA-1DIV | F.01U.379.427**

AMS-SMA-1CLI License for AMS-XCLI-1V*, 1 yr

1-year Service and Maintenance Agreement (SMA) for AMS-XCLI-1V
Order number **AMS-SMA-1CLI | F.01U.363.509**

AMS-SMA-5CLI License for AMS-XCLI-5V*, 1 yr

1-year Service and Maintenance Agreement (SMA) for AMS-XCLI-5V
Order number **AMS-SMA-5CLI | F.01U.363.510**

AMS-SMA-1MAC License for AMS-XMAC-1V*, 1 yr

1-year Service and Maintenance Agreement (SMA) for AMS-XMAC-1V
Order number **AMS-SMA-1MAC | F.01U.363.511**

AMS-SMA-5MAC License for AMS-XMAC-5V*, 1 yr

1-year Service and Maintenance Agreement (SMA) for AMS-XMAC-5V
Order number **AMS-SMA-5MAC | F.01U.363.512**

AMS-SMA-100CRD License for AMS-XCRD-100V*, 1 yr

1-year Service and Maintenance Agreement (SMA) for AMS-XCRD-100V
Order number **AMS-SMA-100CRD | F.01U.363.516**

AMS-SMA-1KCRD License for AMS-XCRD-1KV*, 1 yr

1-year Service and Maintenance Agreement (SMA) for AMS-XCRD-1KV
Order number **AMS-SMA-1KCRD | F.01U.363.517**

AMS-SMA-10KCRD License for AMS-XCRD-10KV*, 1 yr

1-year Service and Maintenance Agreement (SMA) for AMS-XCRD-10KV
Order number **AMS-SMA-10KCRD | F.01U.363.518**

AMS-SMA-50KCRD License for AMS-XCRD-50KV*, 1 yr

1-year Service and Maintenance Agreement (SMA) for AMS-XCRD-50KV
Order number **AMS-SMA-50KCRD | F.01U.363.519**

AMS-SMA-32DRS License for AMS-XDRS-32V*, 1 yr

1-year Service and Maintenance Agreement (SMA) for AMS-XDRS-32V
Order number **AMS-SMA-32DRS | F.01U.363.513**

AMS-SMA-128DRS License for AMS-XDRS-128V*, 1 yr

1-year Service and Maintenance Agreement (SMA) for AMS-XDRS-128V
Order number **AMS-SMA-128DRS | F.01U.363.514**

AMS-SMA-512DRS License for AMS-XDRS-512V*, 1 yr

1-year Service and Maintenance Agreement (SMA) for AMS-XDRS-512V
Order number **AMS-SMA-512DRS | F.01U.363.515**

AMS-SMA-25OFF License for AMS-XOFF-25V*, 1 yr

1-year Service and Maintenance Agreement (SMA) for AMS-XOFF-25V. Available in certain countries.

Order number **AMS-SMA-25OFF | F.01U.386.744**

AMS-SMA-25OSO License for AMS-XOSO-25V*, 1yr

1-year Service and Maintenance Agreement (SMA) for AMS-XOSO-25V*. Available in certain countries.

Order number **AMS-SMA-25OSO | F.01U.402.820**

AMS-SMA-1PAN License for AMS-XPAN-1V*, 1 yr

1-year Service and Maintenance Agreement (SMA) for AMS-XPAN-1V*. Available in certain countries.

Order number **AMS-SMA-1PAN | F.01U.387.837**

AMS-SMA-10PAN License for AMS-XPAN-10V*, 1 yr

1-year Service and Maintenance Agreement (SMA) for AMS-XPAN-10V*. Available in certain countries.

Order number **AMS-SMA-10PAN | F.01U.386.745**

AMS-SMA-50PAN License for AMS-XPAN-50V*, 1 yr

1-year Service and Maintenance Agreement (SMA) for AMS-XPAN-50V

Order number **AMS-SMA-50PAN | F.01U.386.746**

AMS-SMA-1KEY Software Maintenance for AMS-XKEYPRO

1-year Service and Maintenance Agreement (SMA) for Software Maintenance for AMS-XKEYPRO

Order number **AMS-SMA-1KEY | F.01U.408.761**

AMS-SMA-VIS License for AMS-FVIS-WEBV*, 1yr

1-year Service and Maintenance Agreement (SMA) for AMS-FVIS-WEBV

Order number **AMS-SMA-VIS | F.01U.395.537**

AMS-SMA-VISLIT SMA Visitormangement Lite

1-year Service and Maintenance Agreement (SMA) for Visitor management Lite

Order number **AMS-SMA-VISLIT | F.01U.409.104**

AMS-SMA-VISPLU SMA Visitormangement Plus

1-year Service and Maintenance Agreement (SMA) for Visitor management Plus

Order number **AMS-SMA-VISPLU | F.01U.409.105**

Represented by:

Europe, Middle East, Africa:
Bosch Security Systems B.V.
P.O. Box 80002
5600 JB Eindhoven, The Netherlands
www.boschsecurity.com/xc/en/contact/
www.boschsecurity.com

Germany:
Bosch Sicherheitssysteme GmbH
Robert-Bosch-Platz 1
D-70839 Gerlingen
www.boschsecurity.com

North America:
Bosch Security Systems, LLC
130 Perinton Parkway
Fairport, New York, 14450, USA
www.boschsecurity.com

Asia-Pacific:
Robert Bosch (SEA) Pte Ltd, Security Systems
11 Bishan Street 21
Singapore 573943
www.boschsecurity.com/xc/en/contact/
www.boschsecurity.com