

ADS-AMC2-2WCF Door controller WI, 2 readers

www.boschsecurity.com



BOSCH
Invented for life



- ▶ Supports up to two Wiegand readers
- ▶ Supports Wiegand extension boards
- ▶ Provides power to the readers
- ▶ Electronically supervised inputs and outputs
- ▶ Offline capability

The Access Modular Controller (AMC) is supported by the Access Professional Edition (APE), BIS Access Engine (ACE) and the Access Management System (AMS).

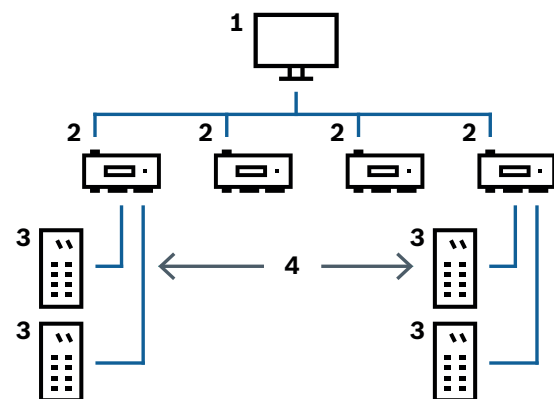
The device is able to control up to two Wiegand card readers. It is designed to fully process the access logic at assigned access points. Access points consist of doors, gates, barriers, turn stiles, revolving doors, mantraps, ID card readers, door opening elements and sensors.

The controller stores all necessary information in a battery-buffered memory and in a compact flash storage element. Even when the unit is offline, it is able to perform:

- Independent status and authorization checks on access points
- Take access decisions
- Activate and deactivate connected peripheral elements
- Detect and register all relevant events

All the product versions use encrypted connections between the access modular controller and the host system.

System overview



1	Host computer
2	AMC2W
3	Card reader
4	Communication and power supply

In the communication chain of a system, the access controller is integrated between the host system and the peripheral devices.

The controller is connected to the host system via RS485 or Ethernet, depending on the type of installation. The host interface is selected during installation. The two interfaces are available on the device by default. With RS485 operation, a maximum of eight access controllers can be connected to one party line.

It is possible to connect up to two readers to the access modular controller.

Functions

- Self-sufficient online and offline access verification
- Operation of complex access point configurations
- Digital Outputs for activating cameras, signal lights, etc.
- Registration, storage and forwarding of access related events

Certifications and approvals

Region	Regulatory compliance/quality marks	
Europe	CE	EC-Declaration of Conformity

Installation/configuration notes

Inputs

The inputs accept both binary and analog signals. An example of analog use would be the detection of cable breaks or short circuits based on a range of impedance values.

Outputs

The relay outputs offer the following modes of operation:

- **dry mode** - mode in which the access modular controller switches voltage and power to the outputs from an external source, e.g. for interfacing with electronic inputs
- **wet mode** - mode in which the access modular controller switches voltage and power to the outputs, e.g. for driving door strikes directly

Quantity restrictions

- Maximum of 2 access points/entrances
- Maximum of 2 ID card readers
- Maximum of 4 peripheral devices via RS485 extension bus supporting:
 - 1 Wiegand reader extension board
 - 3 I/O extension boards
- Maximum of 200,000 cardholders

Wiegand interfaces

This access controller has two connections for connecting up to two ID card readers.

The following definitions apply to the Wiegand interface:

- 10-wire interface (incl. shield)
- Maximum cable length of 158 m (500 ft.) to ID card reader

Parts included

Quantity	Component
1	Access Modular Controller
1	Screwdriver
1	Quick installation guide
1	Safety instructions

Technical specifications

Mechanical

Type	DIN rail mounting
Housing material	ABS and Polycarbonate (UL94V-0)
Dimensions (H × W × D)	232 mm × 90 mm × 63 mm (9.13 in. × 3.54 in. × 2.48 in.)
Weight	503 g
Color	White

System specifications

Memory	<ul style="list-style-type: none"> • Serial EEPROM • Pluggable 2 GB compact flash
Reader interfaces	<ul style="list-style-type: none"> • 2 × Wiegand
Host interface	<ul style="list-style-type: none"> • RJ45 for TCP/IP communication • RS485
Outputs	<ul style="list-style-type: none"> • 4 × relay outputs • 30 V DC max. (switching voltage) • 1,25 A max. (switching current) @ 30Vdc
Inputs	4 × 4-State inputs
Tamper switch	2-wire
Reset button	Yes
Power	<ul style="list-style-type: none"> • 10 VDC to 30 VDC • 60 VA max. • 55 VA (available for external devices)
Display	LCD

Environmental

Temperature	0 °C to +50 °C (32 °F to 122 °F)
Environmental rating	IP 30
RoHS	Compliant

Ordering information

ADS-AMC2-2WCF Door controller WI, 2 readers

Two Wiegand interfaces for up to 2 card readers, network connection to the host system and Compact Flash memory (2 GB). Host data transfer encrypted.
Order number **ADS-AMC2-2WCF**

Accessories

AEC-AMC2-UL01 Enclosure with 2 DIN rail

Compliant with UL294 system certification for AMC2 and APE Software.

Order number **AEC-AMC2-UL01**

AEC-AMC2-UL02 AMC2 enclosure with 1 DIN rail

Compliant with UL294 system certification for AMC2 and APE Software.

Order number **AEC-AMC2-UL02**

ACX-RAIL-400 DIN rail 400mm

Mounting rail (400 mm) for mounting the AMC-4W, AMC PS-12V-60W and AMC UPS-12V when the metal housing AMC ENC-V1 is not used.

Order number **ACX-RAIL-400**

APS-PSU-60 Power supply unit

A power supply unit with an integrated battery charging device, that supports 12 V/7 Ah, 12 V/14 Ah and 24 V/7 Ah batteries, with selectable 12 VDC or 24 VDC voltage output.

Order number **APS-PSU-60**

Represented by:

Europe, Middle East, Africa:
Bosch Security Systems B.V.
P.O. Box 80002
5600 JB Eindhoven, The Netherlands
Phone: + 31 40 2577 284
emea.securitysystems@bosch.com
emea.boschsecurity.com

Germany:
Bosch Sicherheitssysteme GmbH
Robert-Bosch-Ring 5
85630 Grasbrunn
Germany
www.boschsecurity.com

North America:
Bosch Security Systems, Inc.
130 Perinton Parkway
Fairport, New York, 14450, USA
Phone: +1 800 289 0096
Fax: +1 585 223 9180
onlinehelp@us.bosch.com
www.boschsecurity.us

Asia-Pacific:
Robert Bosch (SEA) Pte Ltd, Security Systems
11 Bishan Street 21
Singapore 573943
Phone: +65 6571 2808
Fax: +65 6571 2699
apr.securitysystems@bosch.com
www.boschsecurity.asia